

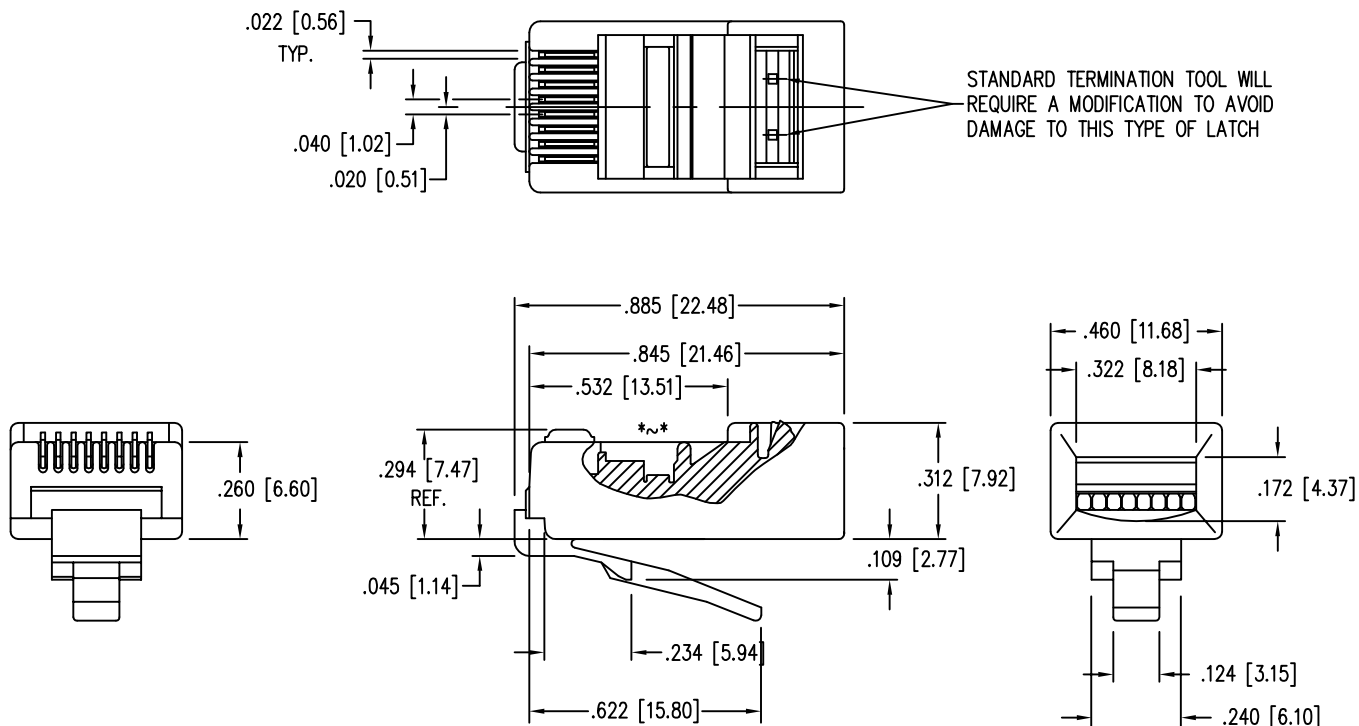
# Sentinel<sup>®</sup> Connector Systems Inc.

1953 Stanton Street

York, Pa. 17404

PART NO.: 109-080810-24

- \* EIGHT CONDUCTOR MODULAR PLUG
- \* RADIUS OPENING FOR ROUND CABLE
- \* FOR CONDUCTORS WITH MAXIMUM O.D. OF .040
- \* FOR SOLID OR STRANDED WIRE APPLICATIONS
- \* USES .014 CONTACT
- \*~\* SPECIAL CONDUCTOR BAR AND LATCH LOCKS



**SPECIFICATIONS :**

MEETS OR EXCEEDS CATEGORY 5e ANSI/EIA 568-C.2

CONTACT MATERIAL:

PHOSPHOR BRONZE .014 THICK MATERIAL

CONTACT PLATING:

50 MICRO-INCH SELECTIVE GOLD PLATE  
IN CONTACT AREA OVER 100 MICRO-INCH  
MINIMUM NICKEL PLATING.  
OTHER PLATING THICKNESSES AVAILABLE.

PLUG MATERIAL:

POLYCARBONATE

PLUG TOLERANCES  
AND DIMENSIONS:

\* COMPLIES WITH ANSI/TIA-1096-A REQUIREMENTS

U.L. RECOGNIZED

File# E188111

FLAME AUTO EXTINGUISH

94-V0

OPERATION TEMPERATURE:

-40°C TO +85°C

INSERTION/EXTRACTION LIFE:

1000 CYCLES

CONTACT RESISTANCE:

10 MILLOHMS MAX.

CURRENT/VOLTAGE:

30 VAC/42 VDC AT 1.5 AMPS

(RoHS COMPLIANT)

\* FORMER COMPLIANCE, FCC PART 68.500

