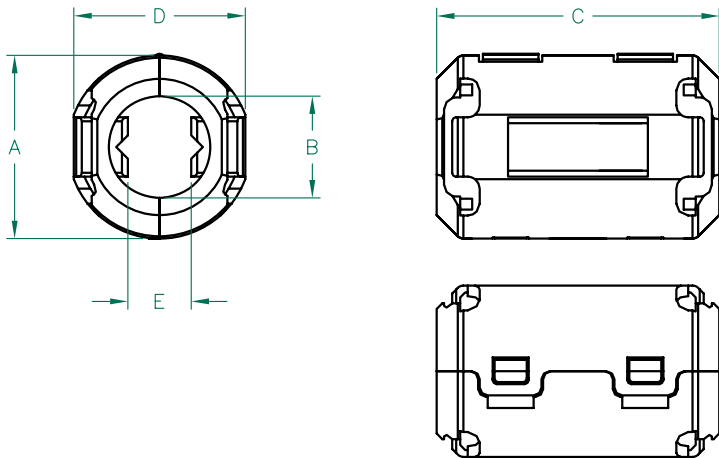


CORE DIMENSIONS:

A	20.00 [.787]	+	0.30 [.012]
B	13.00 [.512]	+	0.30 [.012]
C	29.00 [1.142]	+	0.50 [.020]
D	9.50 [.374]	+	0.20 [.008]
E	6.240 [.246]	+	0.30 [.012]

Weight/1000 24.89 kgs 54.88 lbs.
(Per Pair)

UNCONTROLLED DOCUMENT

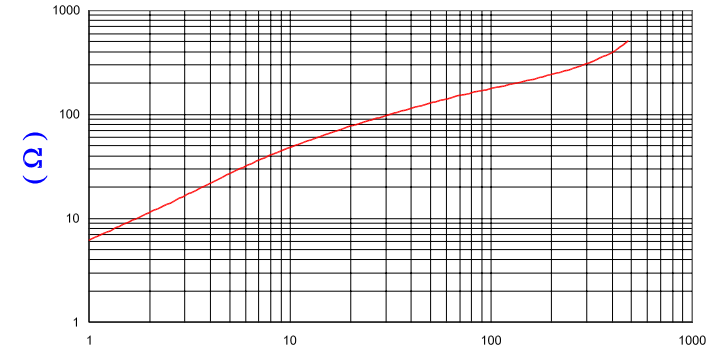


CASE DIMENSIONS:

A	23.50 [.925]	+	0.40 [.016]
B	13.06 [.514]	+	0.30 [.012]
C	36.25 [1.427]	+	0.50 [.020]
D	22.00 [.866]	+	0.30 [.012]
E	8.13 [.320]	+	REF.

IMPEDANCE (Z)			
Frequency	25 MHz	100 MHz	300 MHz
Nominal (REF)	86 Ω	177 Ω	305 Ω
Minimum	- Ω	142 Ω	- Ω

Z vs. FREQUENCY
(REF. ONLY)



FREQUENCY (MHz)

AGILENT E4991A Impedance/Material Analyzer
HP 16092A-Test Fixture

NOTES:

- CASE FLAMMABILITY RATING: UL94 V-0
- CASE MATERIAL: HALOGEN FREE NYLON
- ASSEMBLED PART #: 28A2913-0A2
- CORE PART #: 28A2913-000
- CASE COLOR: BLACK -"0A2"

DIMENSIONS ARE IN mm [INCHES].				This print is the property of Laird Tech. and is loaned in confidence subject to return upon request and with the understanding that no copies shall be made without the written consent of Laird Tech. All rights to design or invention are reserved.		
PROJECT/PART NUMBER:				REV	PART TYPE:	DRAWN BY:
28A2913-0A2				B	FERRITE SNAP-ON	TMB
DATE:				SCALE:	MATERIAL:	
11/24/08				NTS	NiZn Ferrite	
CAD #				TOOL #		
28A2913-0A2-B				-		
REV	DESCRIPTION	DATE	INT			
B	CHANGE PLASTIC CASE PLUNGER FROM TAB TO CONVEX FEATURE	04/27/11	JUN			
A	ORIGINAL DRAFT	11/24/08	TMB			

