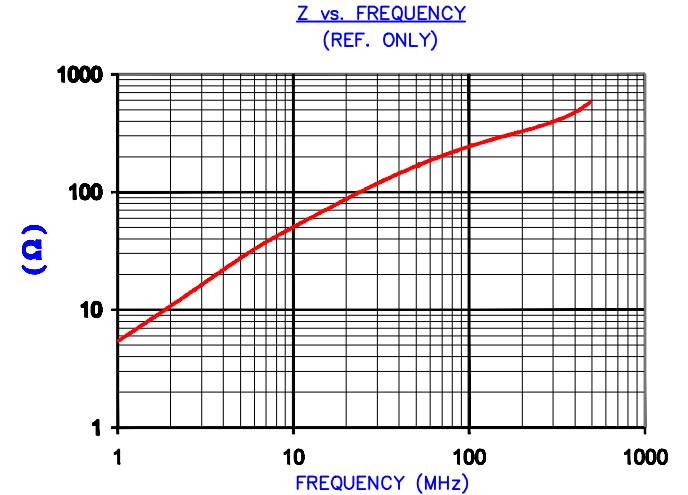


IMPEDANCE (Z)			
Frequency	25 MHz	100 MHz	300 MHz
Nominal (REF)	105 Ω	240 Ω	390 Ω
Minimum	- Ω	192 Ω	- Ω

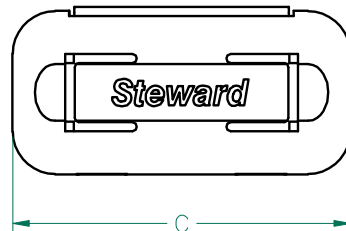
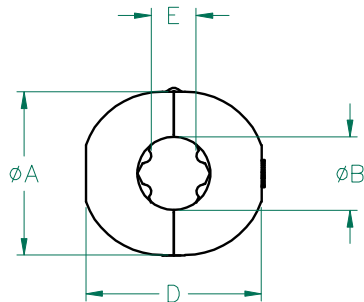
CORE DIMENSIONS:

A	16.25 [.640]	+ 0.25 [.010]
B	9.02 [.355]	+ 0.20 [.008] - 0.13 [.005]
C	27.94 [1.100]	+ 0.38 [.015]
D	8.12 [.320]	+ 0.13 [.005]

UNCONTROLLED DOCUMENT



AGILENT E4991A Impedance/Material Analyzer
HP 16092A-Test Fixture REF 3158



NOTES:

- ASSEMBLED PART #: 28A0640-0A2
- CASE COLOR: BLACK-0A2.
- CASE FLAMMABILITY RATING: UL94 V-0.
- CASE MATERIAL: Halogen Free Nylon

CASE DIMENSIONS:

A	20.07 [.790]	+ REF.
B	9.07 [.357]	+ REF.
C	41.55 [1.636]	+ REF.
D	21.57 [.849]	+ REF.
E	5.74 [.226]	+ REF.

DIMENSIONS ARE IN mm [INCHES].				This print is the property of Laird Tech. and is loaned in confidence subject to return upon request and with the understanding that no copies shall be made without the written consent of Laird Tech. All rights to design or invention are reserved.		Laird TECHNOLOGIES	
H	UPDATE COMPANY LOGO ADD NOTES 3 AND 4	01/27/09	JRK	PROJECT/PART NUMBER: 28A0640-0A2	REV	PART TYPE:	DRAWN BY:
G	UPDATE CASE DIMENSIONS TO MATCH CASE PRINT	08/23/07	TMB		H	FERRITE SNAP-ON	JRK
F	UPDATE 100 MHz MINIMUM VALUE	06/11/07	TMB		DATE:	SCALE:	MATERIAL:
E	UPDATE COMPANY LOGO	04/17/07	TMB		09/01/04	NTS	NiZn Ferrite
D	UPDATE Z SPEC 100MHz MIN VALUE	12/11/06	TMB		CAD #	TOOL #	-
C	UPDATE CORE PROFILE FOR UPDATED REVISE NOTES	11/07/06	TMB				
REV	DESCRIPTION	DATE	INT				