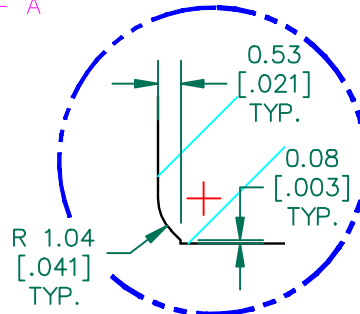


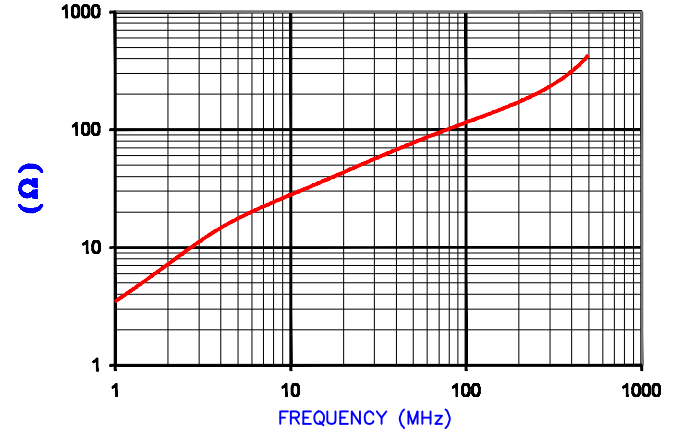
SECTION A - A
SEE DETAIL "A"



DETAIL "A"
TYPICAL
SCALE=6:1

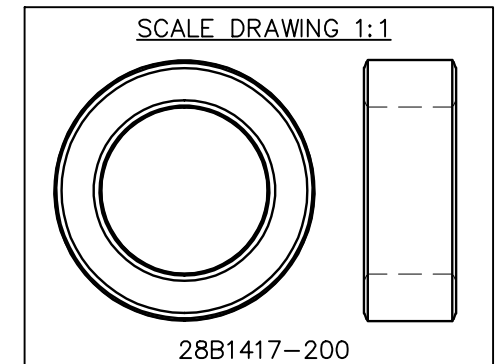
IMPEDANCE (Z)			
Frequency	25 MHz	100 MHz	300 MHz
Nominal (REF)	52 Ω	115 Ω	230 Ω
Minimum	- Ω	92 Ω	- Ω

Z vs. FREQUENCY
(REF. ONLY)



AGILENT E4981A Impedance/Material Analyzer
HP 16092A-Test Fixture REF #3132

**UNCONTROLLED
DOCUMENT**



FERRITE CORE DIMENSIONS (SPEC): mm [in]

A	36.00 [1.417]	±	0.66 [.026]
B	23.00 [.905]	±	0.46 [.018]
C	12.70 [.500]	±	0.32 [.013]

WEIGHT/1000 37.51 kgs [82.70 lbs]

DIMENSIONS ARE IN mm [INCHES].				THIS DOCUMENT CONTAINS INFORMATION WHICH IS PROPRIETARY AND CONFIDENTIAL TO STEWARD. NO PRODUCTION OR PUBLICATION OF THIS DOCUMENT IN WHOLE OR IN PART SHALL BE MADE WITHOUT WRITTEN AUTHORIZATION FROM STEWARD.					
						PROJECT/PART NUMBER:			
						28B1417-200			
				REV		PART TYPE:		DRAWN BY:	
				B		FERRITE CORE		JRK	
B UPDATE Z SPECS AND COMPANY LOGO 06/15/07 JRK				DATE:		SCALE:		MATERIAL:	
A ORIGINAL DRAFT 06/29/04 JRK				06/29/04		1.5 : 1		Ni Zn Ferrite	
REV DESCRIPTION DATE INT				CAD #		TOOL #			
				28B1417-200-B		B1417			