

CM5740Z171B-10

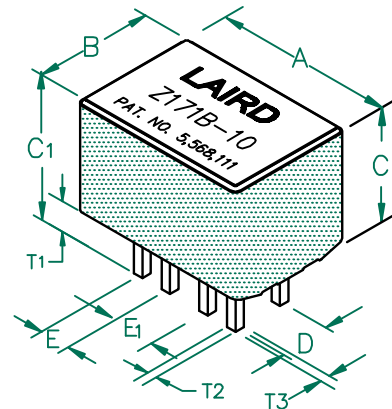
UNCONTROLLED DOCUMENT

PHYSICAL DIMENSIONS:

A	14.48 [.570]	+ 0.23 [.009]
B	10.03 [.395]	+ 0.15 [.006]
C	9.32 [.367]	+ 0.15 [.006]
C ₁	12.90 [.508]	MAX.
D	4.06 [.160]	+ 0.13 [.005]
E	2.54 [.100]	+ 0.13 [.005]
E ₁	3.43 [.135]	+ 0.13 [.005]

WIRE:

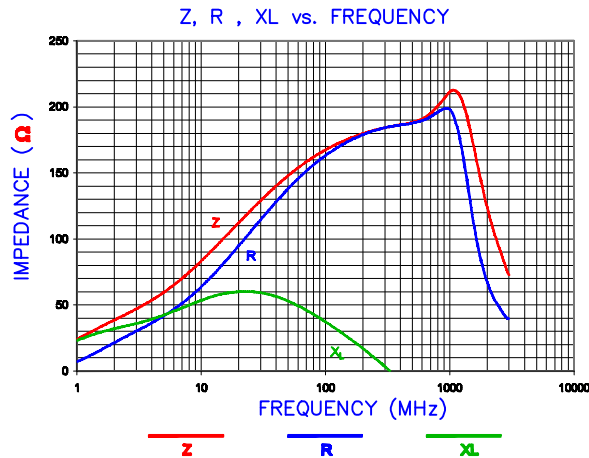
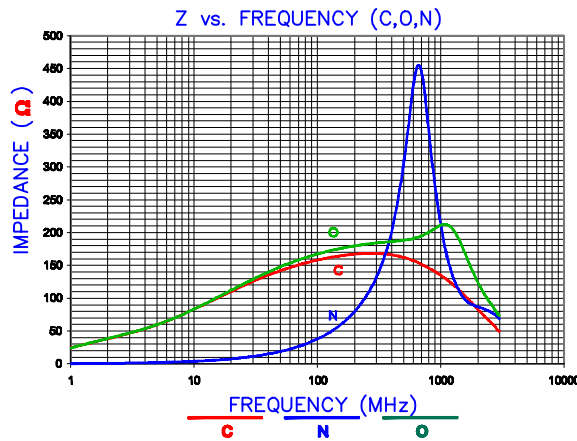
T ₁	3.12 [.123]	+ 0.25 [.010]
T ₂	0.76 [.030]	TYP.
T ₃	0.76 [.030]	TYP.



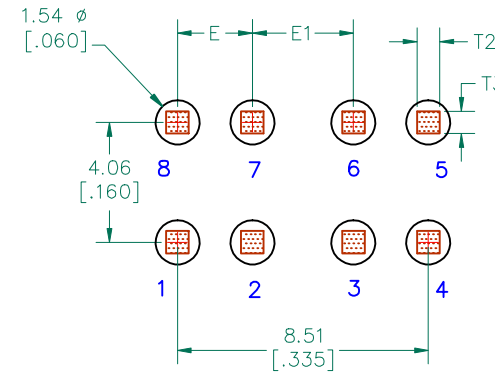
ELECTRICAL CHARACTERISTICS:			
Z @ 100MHz (Ω)	DCR (Ω)	Rated Current	Rated Voltage (VDC)
Nominal	170		
Minimum	128		
Maximum	-	0.001	20,000 mA
			290

NOTES: UNLESS OTHERWISE SPECIFIED

1. BULK PACKAGED, 825 PCS PER CASE.
2. COMPONENTS SHOULD BE ADEQUATELY PREHEATED BEFORE SOLDERING.
3. TERMINATION FINISH IS 100% TIN.
4. THIS PART HAS NO PIN POLARITY.
5. OPERATION TEMPERATURE (INCLUDING SELF-HEATING): -40 ~ +125°C.



HOLE PATTERNS FOR WAVE SOLDERING

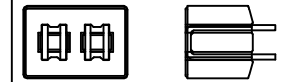


AGILENT E4991A RF Impedance/Material Analyzer
HP 16194A Test Fixture. TEST REF. 3007

DIMENSIONS ARE IN mm (INCHES).				This print is the property of Laird Tech. and is loaned in confidence subject to return upon request and with the understanding that no copies shall be made without the written consent of Laird Tech. All rights to design or invention are reserved.			
REV	DESCRIPTION	DATE	INT	PROJECT/PART NUMBER:	REV	PART TYPE:	DRAWN BY:
D	ADD RATED VOLTAGE AND NOTE 5	08/30/12	QIU	CM5740Z171B-10	D	ASSEMBLY	JRK
C	JDATE COMPANY LOGO & KAPTON LABEL	11/13/08	JRK	DATE:	6/11/04	SCALE:	NTS
B	CHG ISO VIEW UPDATE COMPANY LOGO	06/15/07	JRK	CAD #		SHEET:	2 of 3
A	ORIGINAL DRAFT	6/11/04	JRK	TOOL #	H0570		
REV	DESCRIPTION	DATE	INT	CM5740Z171B-10-D-2			



SCALE DRAWING 1:1

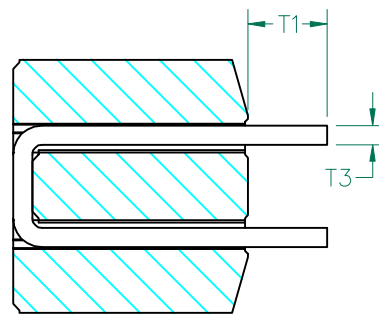
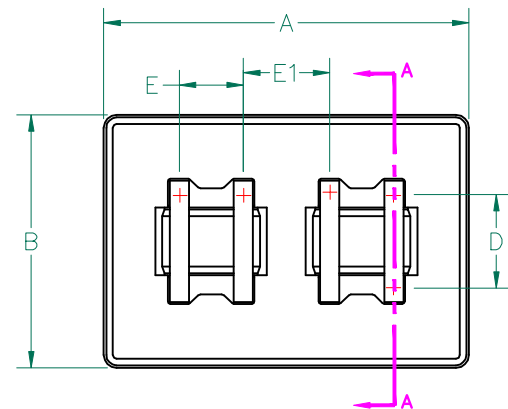


CM5740Z171B-10

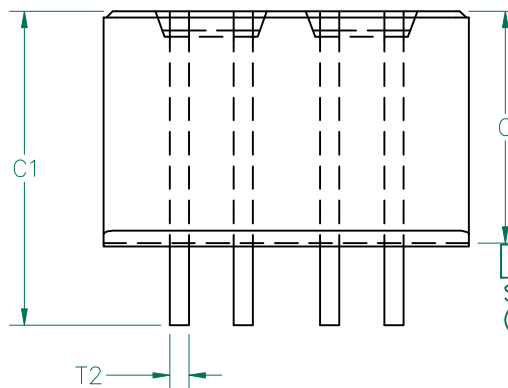
UNCONTROLLED DOCUMENT

ELECTRICAL TESTING

	GROSS	GROSS
TEST:	Z	Z
# TURNS	1	1
AWG	22	22
FREQUENCY	25 MHz	100 MHz
NOMINAL	- Ω	170 Ω
MINIMUM	- Ω	128 Ω
WEIGHT/1000	5.85 kgs.	12.89lbs.



SECTION A-A



0.10 (.004)
SEATING PLANE
(CO-PLANARITY)



NOTES: UNLESS OTHERWISE SPECIFIED

1. WIRE: REFERENCE STEWARD WIRE PURCHASE SPEC. W0040-61.
2. IMPEDANCE VALUES ARE GROSS, MEASURED USING W0040-61 WIRE PLACED AGAINST END OF SLOT w/ NO D.C. BIAS.
3. REFERENCE STEWARD CORE 24H0570-600.
4. TERMINATION FINISH IS 100% TIN.
5. THIS PART HAS NO PIN POLARITY.

DIMENSIONS:

A	14.48 [.570]	+	0.23 [.009]
B	10.03 [.395]	+	0.15 [.006]
C	9.32 [.367]	+	0.15 [.006]
C1	12.90 [.508]		MAX.
D	4.06 [.160]	+	0.13 [.005]
E	2.54 [.100]	+	0.13 [.005]
E1	3.43 [.135]	+	0.13 [.005]

WIRE DIMENSIONS:

T1	3.12 [.123]	+	0.25 [.010]
T2	0.76 [.030]		TYP.
T3	0.76 [.030]		TYP.

DIMENSIONS ARE IN mm (INCHES).

This print is the property of Laird Tech. and is loaned in confidence subject to return upon request and with the understanding that no copies shall be made without the written consent of Laird Tech. All rights to design or invention are reserved.



REV	DESCRIPTION	DATE	INT	PROJECT/PART NUMBER:	REV	PART TYPE:	DRAWN BY:	
D	ADD RATED VOLTAGE AND NOTE 5	08/30/12	QIU	CM5740Z171B-10	D	ASSEMBLY	JRK	
C	UPDATE COMPANY LOGO & KAPTON LABEL	11/13/08	JRK		DATE:	6/11/04	SCALE:	NTS
B	CHG ISO VIEW UPDATE COMPANY LOGO	06/15/07	JRK		CAD #	CM5740Z171B-10-D-2	SHEET:	2 of 3
A	ORIGINAL DRAFT	6/11/04	JRK		TOOL #	H0570		
REV								