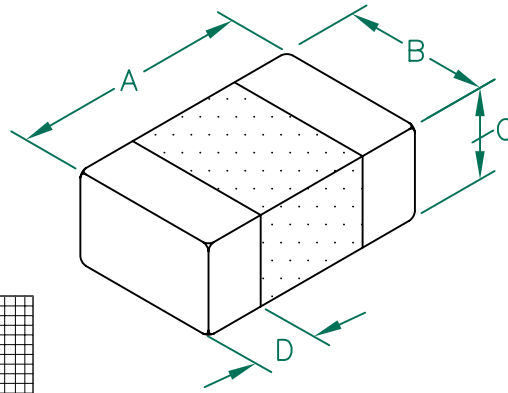


LI0805G301R-10

UNCONTROLLED DOCUMENT

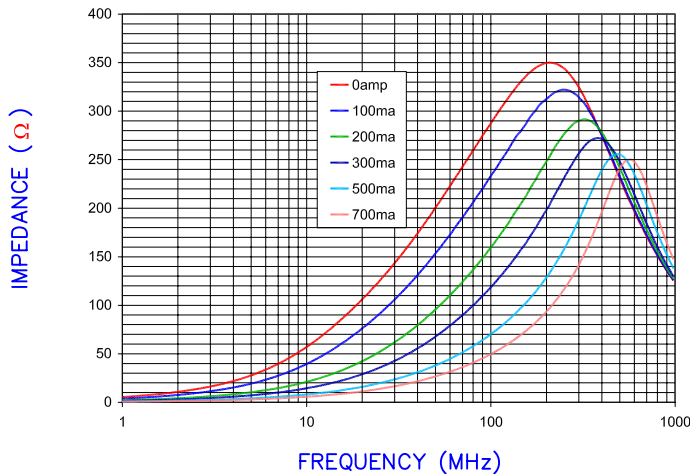
PHYSICAL DIMENSIONS:

A	2.00 [.079]	+ 0.20 [.008]
B	1.25 [.049]	+ 0.20 [.008]
C	0.90 [.035]	+ 0.20 [.008]
D	0.51 [.020]	+ 0.25 [.010]

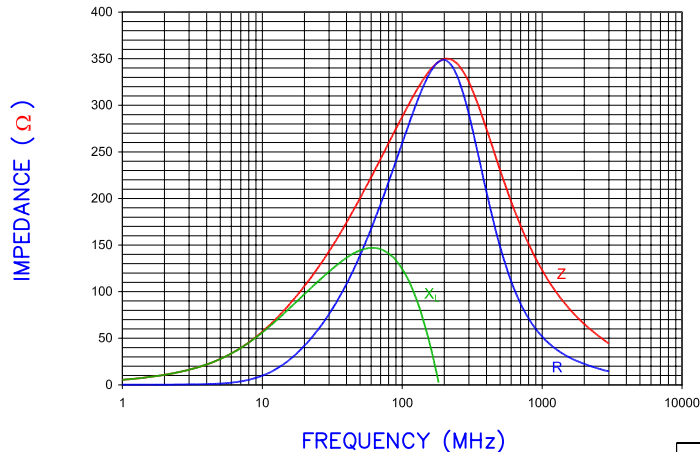


ELECTRICAL CHARACTERISTICS:		
Z @ 100MHz (Ω)	DCR (Ω)	Rated Current
Nominal	300	
Minimum	225	
Maximum	375	0.2
		700 mA

Z vs FREQUENCY
IMPEDANCE UNDER DC BIAS

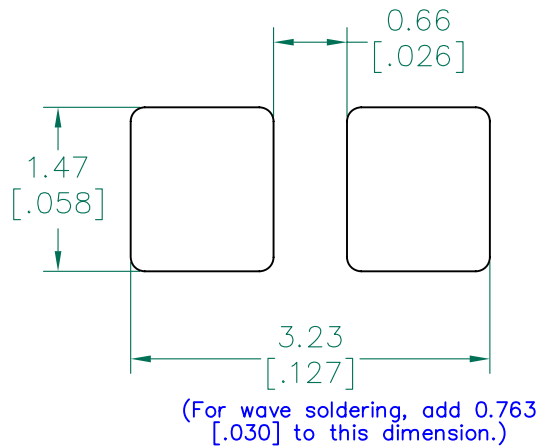


FREQUENCY (MHz)
|Z|, R, AND X vs. FREQUENCY

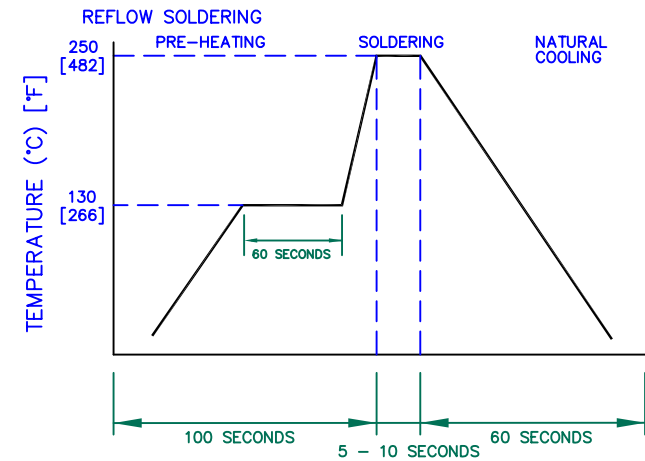


- NOTES: UNLESS OTHERWISE SPECIFIED
- TAPED AND REELED per CURRENT EIA SPECIFICATIONS 7" REELS, 4000 PCS/REEL, PAPER TAPE.
 - COMPONENTS SHOULD BE ADEQUATELY PREHEATED BEFORE SOLDERING.
 - TERMINATION FINISH IS 100% TIN.

LAND PATTERNS FOR REFLOW SOLDERING



RECOMMENDED SOLDERING CONDITIONS



DIMENSIONS ARE IN mm [INCHES].				This print is the property of Laird Tech. and is loaned in confidence subject to return upon request and with the understanding that no copies shall be made without the written consent of Laird Tech. All rights to design or invention are reserved.		Laird TECHNOLOGIES	
PROJECT/PART NUMBER:				REV	PART TYPE:	DRAWN BY:	
LI0805G301R-10				C	CO-FIRE	JRK	
C	CHANGE TO PAPER TAPE	03/04/10	JUN	DATE:	04/13/04	SCALE:	NTS
B	UPDATE COMPANY LOGO ADD ROHS SYM	07/21/08	JRK	CAD #	LI0805G301R-10-C	TOOL #	-
A	ORIGINAL DRAFT	04/13/04	JRK			SHEET: 2 of 2	
REV	DESCRIPTION	DATE	INT				

