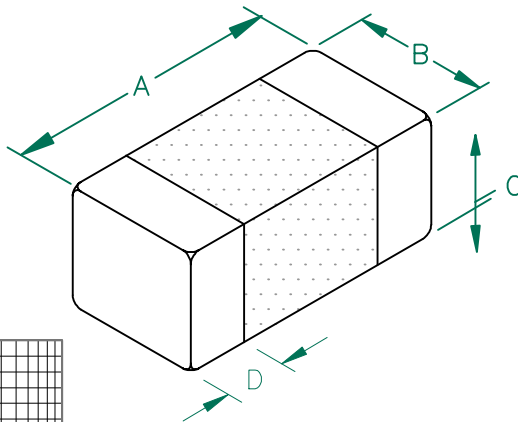


# LI0603E470R-10

**UNCONTROLLED DOCUMENT**

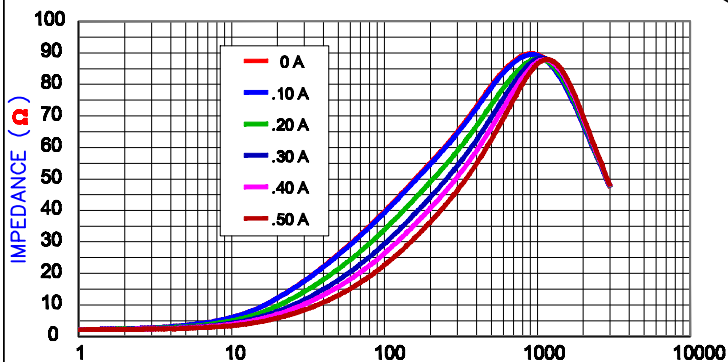
PHYSICAL DIMENSIONS:

A	1.60 [.063]	+	0.15	[.006]
B	0.80 [.031]	+	0.15	[.006]
C	0.80 [.031]	+	0.15	[.006]
D	0.36 [.014]	+	0.15	[.006]

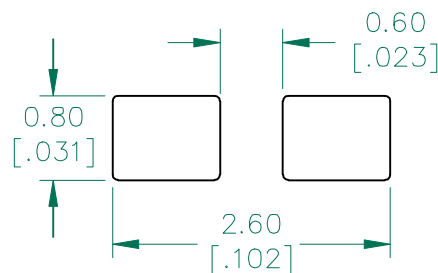


ELECTRICAL CHARACTERISTICS:			
Z @ 100MHz (Ω)	DCR (Ω)	Rated Current	
Nominal	47		
Minimum	35		
Maximum	59	0.10	500 mA

Z vs FREQUENCY  
IMPEDANCE UNDER DC BIAS



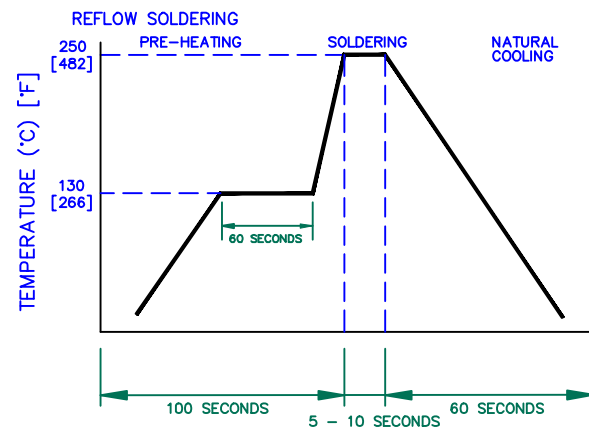
LAND PATTERNS FOR REFLOW SOLDERING



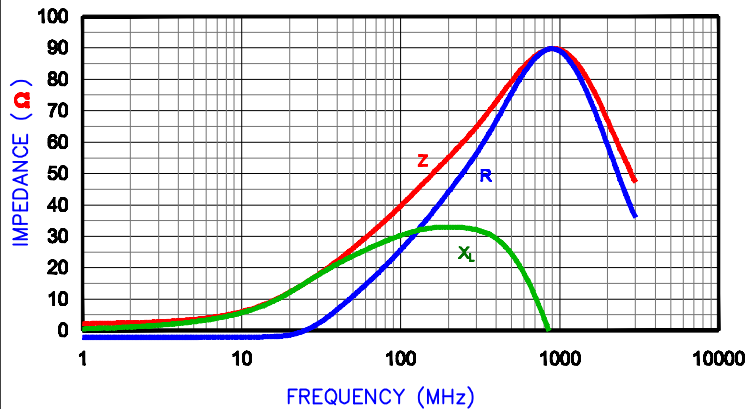
(For wave soldering, add 0.762 [.030] to this dimension)

- NOTES: UNLESS OTHERWISE SPECIFIED
1. TAPED AND REELED per CURRENT EIA SPECIFICATIONS 7" REELS, 4000 PCS/REEL, PAPER CARRIER TAPE.
  2. TERMINATION FINISH IS 100% TIN.
  3. COMPONENTS SHOULD BE ADEQUATELY PREHEATED BEFORE SOLDERING.

RECOMMENDED SOLDERING CONDITIONS



FREQUENCY (MHz)  
|Z|, R, AND X vs. FREQUENCY



**Z**      **R**      **X<sub>L</sub>**

AGILENT E4991A RF Impedance/Material Analyzer  
HP 16194A Test Fixture. TEST REF. 5544



DIMENSIONS ARE IN mm [INCHES].				This print is the property of Laird Tech. and is loaned in confidence subject to return upon request and with the understanding that no copies shall be made without the written consent of Laird Tech. All rights to design or invention are reserved.			
PROJECT/PART NUMBER:				REV	PART TYPE:	DRAWN BY:	
LI0603E470R-10				B	CO-FIRE	JRK	
B	UPDATE COMPANY LOGO	07/14/08	JRK	DATE:	03/29/06	SCALE:	—
A	ORIGINAL DRAFT	03/29/06	JRK	CAD #		SHEET:	
REV	DESCRIPTION	DATE	INT	LI0603E470R-10-B		TOOL #	—
							2 of 2