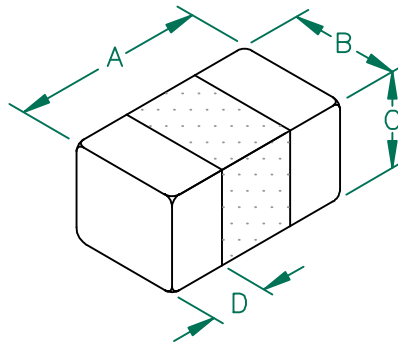


# LI0402E190R-10

**UNCONTROLLED DOCUMENT**

**PHYSICAL DIMENSIONS:**

A	1.00 [.040]	+ / -	0.15 [.006]
B	0.50 [.020]	+ / -	0.15 [.006]
C	0.50 [.020]	+ / -	0.15 [.006]
D	0.30 [.012]	+ / -	MAX.

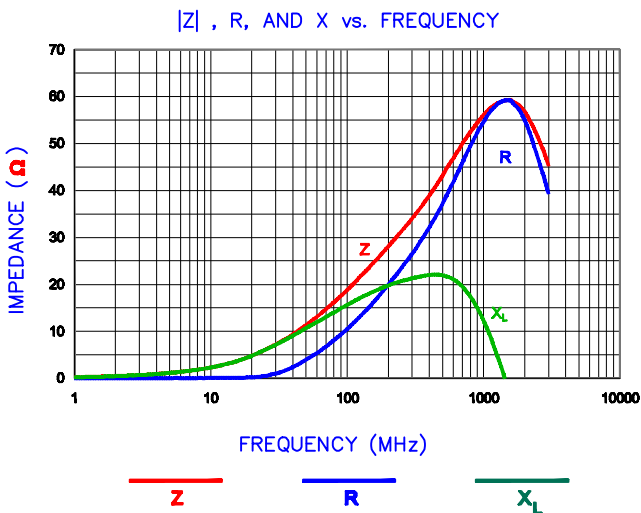
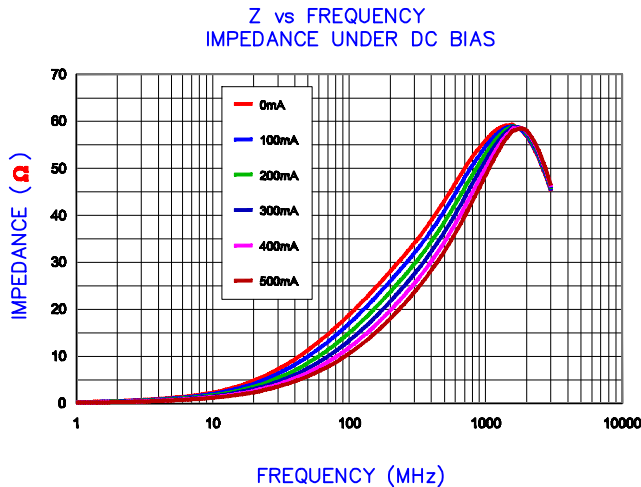


**ELECTRICAL CHARACTERISTICS:**

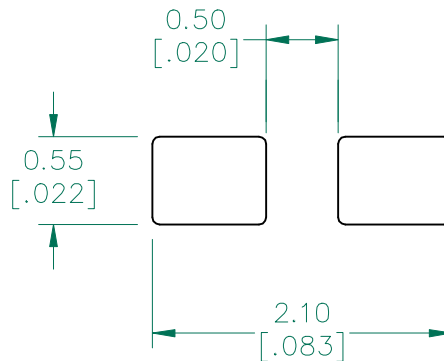
Z @ 100MHz (Ω)	DCR (Ω)	Rated Current
Nominal	19	
Minimum	14	
Maximum	24	500 mA

NOTES: UNLESS OTHERWISE SPECIFIED

1. TAPED AND REELED per CURRENT EIA SPECIFICATIONS 7" REELS, 10,000 PCS/REEL, PAPER TAPE.
2. TERMINATION FINISH IS 100% TIN.
3. COMPONENTS SHOULD BE ADEQUATELY PREHEATED BEFORE SOLDERING.

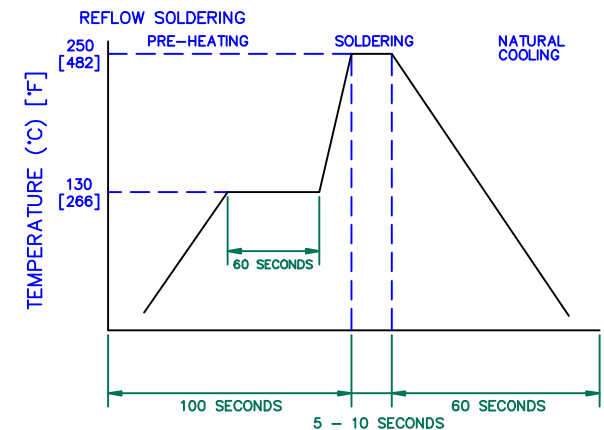


**LAND PATTERNS FOR REFLOW SOLDERING**



(For wave soldering, add 0.762 [.030] to this dimension.)

**RECOMMENDED SOLDERING CONDITIONS**



DIMENSIONS ARE IN mm [INCHES].				This print is the property of Laird Tech. and is loaned in confidence subject to return upon request and with the understanding that no copies shall be made without the written consent of Laird Tech. All rights to design or invention are reserved.			
PROJECT/PART NUMBER: <b>LI0402E190R-10</b>				REV: <b>B</b>	PART TYPE: <b>CO-FIRE</b>	DRAWN BY: <b>JRK</b>	
<b>B</b>	UPDATE COMPANY LOGO	07/09/08	JRK	DATE: 07/24/07	SCALE: NTS	SHEET: <b>2 of 2</b>	
<b>A</b>	ORIGINAL DRAFT	07/24/07	JRK	CAD #	TOOL #		
REV	DESCRIPTION	DATE	INT	LI0402E190R-10-B			

