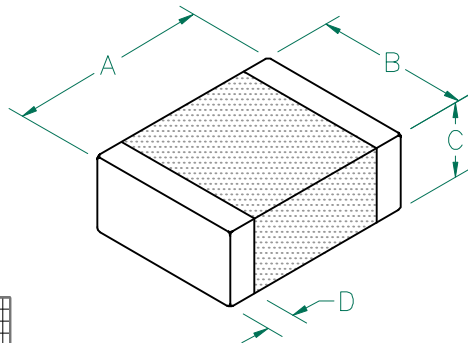


MI1210K600R-10

UNCONTROLLED DOCUMENT

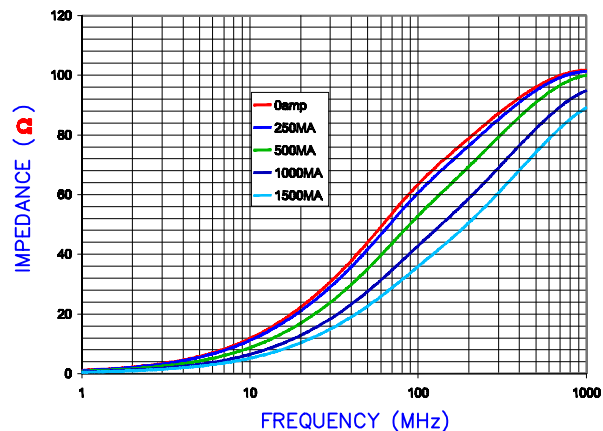
PHYSICAL DIMENSIONS:

| | | |
|---|-------------|---------------|
| A | 3.20 [.126] | + 0.20 [.008] |
| B | 2.50 [.098] | + 0.20 [.008] |
| C | 1.40 [.055] | + 0.20 [.008] |
| D | 0.46 [.018] | + 0.20 [.008] |



| ELECTRICAL CHARACTERISTICS: | | | |
|-----------------------------|---------------------|---------------|---------|
| Z @ 100MHz (Ω) | DCR (Ω) | Rated Current | |
| Nominal | 60 | | |
| Minimum | 45 | | |
| Maximum | 75 | 0.035 | 1500 mA |

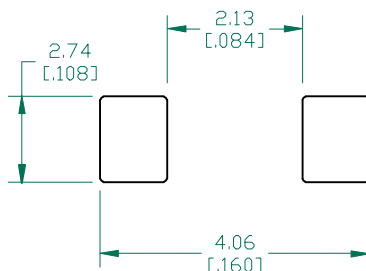
Z vs FREQUENCY
IMPEDANCE UNDER DC BIAS



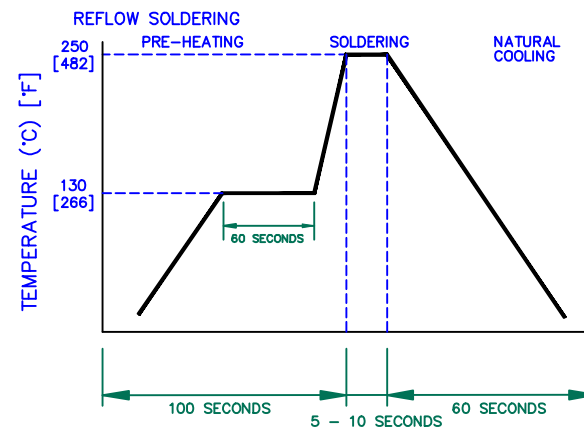
NOTES: UNLESS OTHERWISE SPECIFIED

1. TAPED AND REELED per CURRENT EIA SPECIFICATIONS 7" REELS, 3000 PCS/REEL. EMBOSSED PLASTIC TAPE.
2. COMPONENTS SHOULD BE ADEQUATELY PREHEATED BEFORE SOLDERING.
3. TERMINATION FINISH IS 100% TIN.

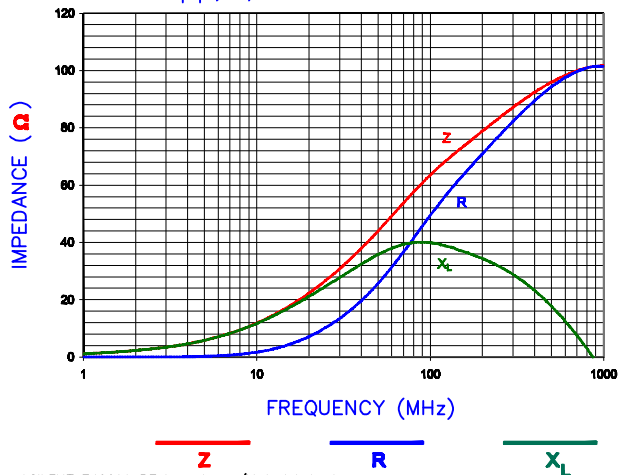
LAND PATTERNS FOR REFLOW SOLDERING



RECOMMENDED SOLDERING CONDITIONS



|Z|, R, AND X vs. FREQUENCY



(For wave soldering, add 0.762 (0.030) to this dimension)



| DIMENSIONS ARE IN mm [INCHES] | | | | This print is the property of Laird Tech. and is loaned in confidence subject to return upon request and with the understanding that no copies shall be made without the written consent of Laird Tech. All rights to design or invention are reserved. | | | |
|-------------------------------|--|----------|-----|---|--------|------------|-----------|
| C | UPDATE COMPANY LOGO | 08/26/08 | JRK | PROJECT/PART NUMBER: | REV | PART TYPE: | DRAWN BY: |
| B | ADD ROHS SYMBOL; UPDATE TAPE NOTE; UPDATE COMPANY LOGO | 08/31/07 | JRK | MI1210K600R-10 | C | CO-FIRE | JRK |
| A | ORIGINAL DRAFT | 04/13/04 | JRK | DATE: | SCALE: | NTS | SHEET: |
| REV | DESCRIPTION | DATE | INT | CAD # | TOOL # | - | 2 of 2 |
| | | | | MI1210K600R-10-C | | | |