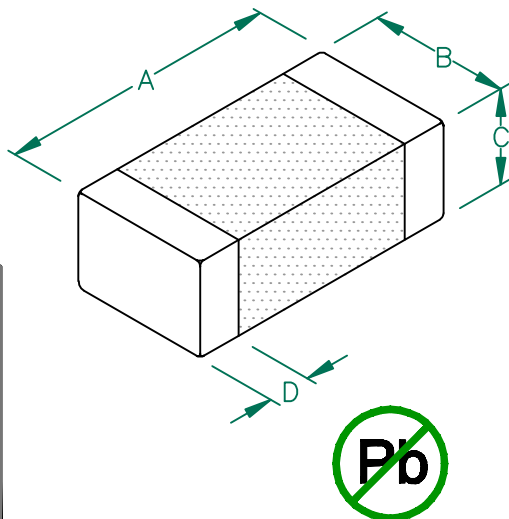


# MI1206L391R-10

**UNCONTROLLED DOCUMENT**

## PHYSICAL DIMENSIONS:

A	3.20 [.126]	+ 0.20 [.008]
B	1.60 [.063]	+ 0.20 [.008]
C	1.10 [.043]	+ 0.20 [.008]
D	0.51 [.020]	+ 0.25 [.010]

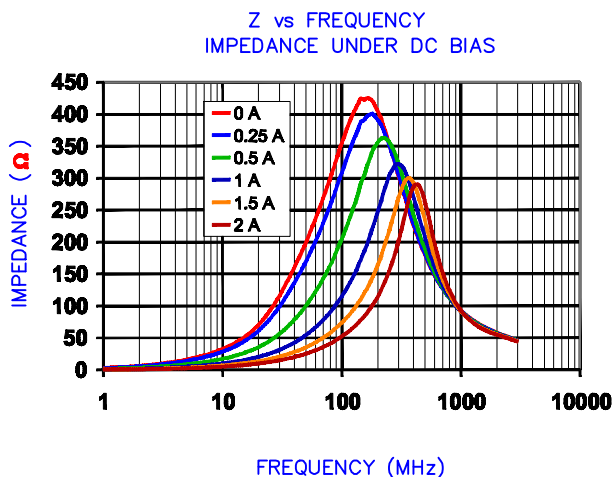


## ELECTRICAL CHARACTERISTICS:

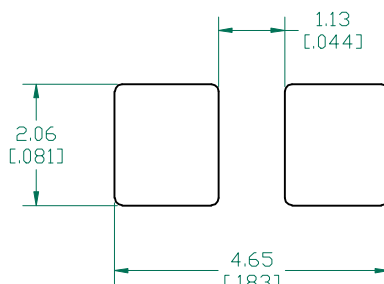
Z @ 100MHz ( $\Omega$ )	DCR ( $\Omega$ )	Rated Current
Nominal	390	
Minimum	293	
Maximum	488	0.050 2000 mA

NOTES: UNLESS OTHERWISE SPECIFIED

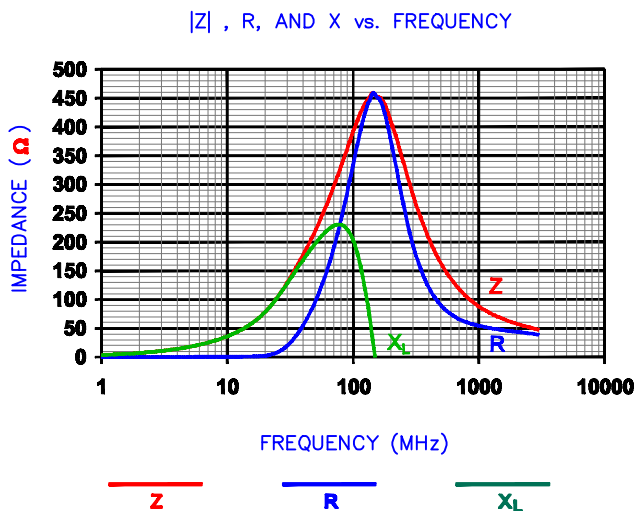
1. TAPED AND REELED per CURRENT EIA SPECIFICATIONS 7" REELS, 3000PCS/REEL, EMBOSSED PLASTIC TAPE.
2. TERMINATION FINISH IS 100% TIN. 3. COMPONENTS SHOULD BE ADEQUATELY PREHEATED BEFORE SOLDERING.
3. OPERATION TEMPERATURE:  $-40^{\circ}\text{C} \sim +125^{\circ}\text{C}$



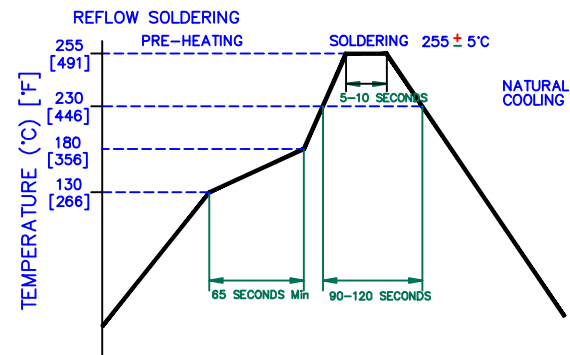
## LAND PATTERNS FOR REFLOW SOLDERING



(For wave soldering, add 0.762 (.030) to this dimension)



## RECOMMENDED SOLDERING CONDITIONS



DIMENSIONS ARE IN mm [INCHES].				This print is the property of Laird Tech. and is loaned in confidence subject to return upon request and with the understanding that no copies shall be made without the written consent of Laird Tech. All rights to design or invention are reserved.			
D	UPDATE SOLDERING CONDITIONS, AND ADD OPERATION TEMPERATURE	08/05/11	WEI	PROJECT/PART NUMBER:	REV	PART TYPE:	DRAWN BY:
C	UPDATE COMPANY LOGO	08/25/08	JRK	MI1206L391R-10	D	CO-FIRE	JRK
B	ADD DC BIAS AND Z R X CURVES	11/10/06	TMB	DATE:	SCALE:	NTS	SHEET:
A	ORIGINAL DRAFT	11/07/06	JRK	08/05/11			2 of 2
REV	DESCRIPTION	DATE	INT	GAD #	TOOL #		
				MI1206L391R-10-D	-		

