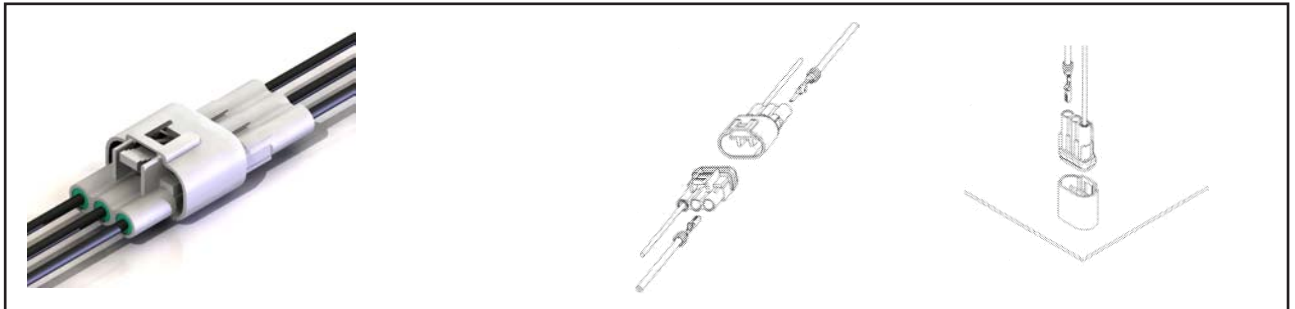


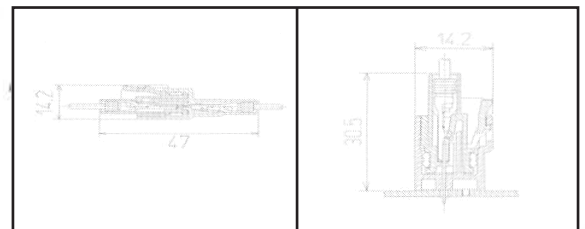
IP67 CERTIFIED



Features

- 5.8mm pitch, Rated current: 10A Max
- Waterproof solution from 1 to 3 positions
- Wide range of wire sizes available
- Wire to wire and board mount options available
- Available with wire already installed

Assembly Layout



Materials

| | |
|-------------------|---|
| Housing | PBT (UL94V-0) |
| Terminal | Phosphor Bronze/Tin Plating |
| Pin-Block | PBT with glass (UL94V-0) Brass / Tin Plating |
| Wire-Housing Seal | Silicone Rubber |

Terminals

| Part Number | Wire Range | Ins. Dia. | Pcs/Reel | Gender |
|-------------|--|-----------|----------|--------|
| 570-290-711 | 0.3~0.5mm ² (AWG #22~#20) | 2.7 max | 4,000 | Male |
| 570-290-721 | 0.3~0.5mm ² (AWG #22~#20) | 2.7 max | 4,000 | Female |
| 570-290-731 | 0.5~1.25mm ² (AWG #20~#16) | 3.1 max | 4,000 | Male |
| 570-290-741 | 0.5~1.25mm ² (AWG #20~#16) | 3.1 max | 4,000 | Female |
| 570-290-751 | 2.0mm ² (AWG #14) | 3.1 max | 4,000 | Male |
| 570-290-761 | 2.0mm ² (AWG #14) | 3.1 max | 4,000 | Female |

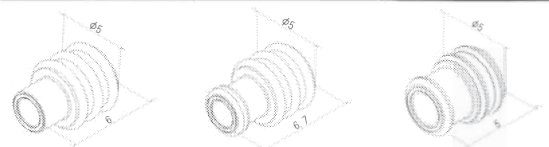
Specifications

| | | |
|----|-----------------------|------------------------|
| 1 | Poles | 1,2,3P |
| 2 | Pitch | 5.8mm |
| 3 | Rated Voltage | 300V |
| 4 | Rated Current | 10A max. |
| 5 | Withstand Voltage | AC1700V r.m.s. |
| 6 | Contact Resistance | 10m Ω max. |
| 7 | Insulation Resistance | 1000M Ω min. /DC 500 V |
| 8 | Temperature Range | -40°C ~+ 105°C |
| 9 | Waterproof Grade | IP67 |
| 10 | PCB Thickness | 1.6mm |

Terminals are also available in strips of 50 pieces.
Contact Edac for more information.

Wire Seal

| Part Number | Ins. Dia. | Color | Pcs |
|----------------------------|-------------|-------------|-------|
| 570-260-001 | ∅ 1.7 ~ 2.1 | Black | 1,000 |
| 570-260-002 | ∅ 2.1 ~ 2.7 | Blue | 1,000 |
| 570-260-003 | ∅ 2.1 ~ 2.7 | Blue | 1,000 |
| 570-260-004 | ∅ 2.7 ~ 3.1 | Brown | 1,000 |
| 570-260-001 570-260-002 | 570-260-003 | 570-260-004 | |



Female Housing

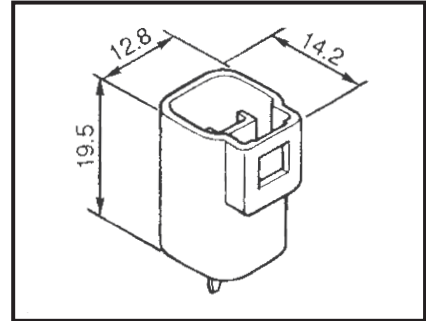
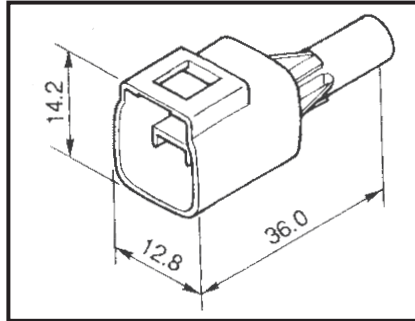
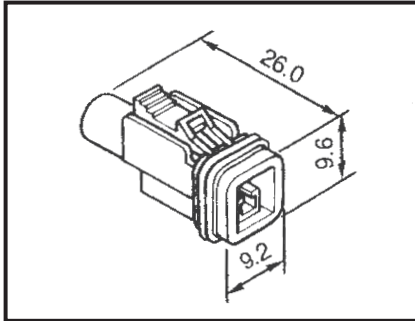
Male Housing

Pin-Block

570-001-000-200

570-001-000-100

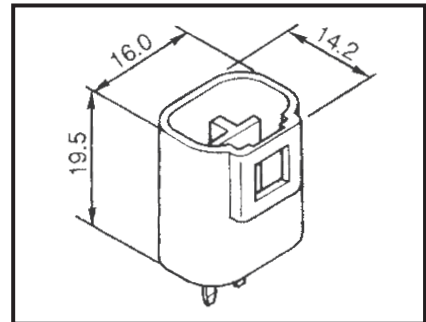
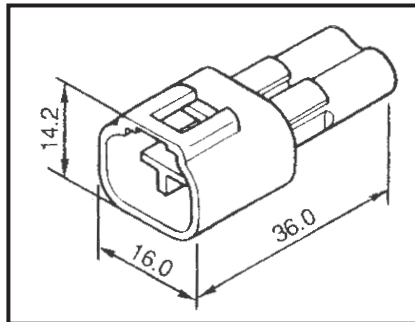
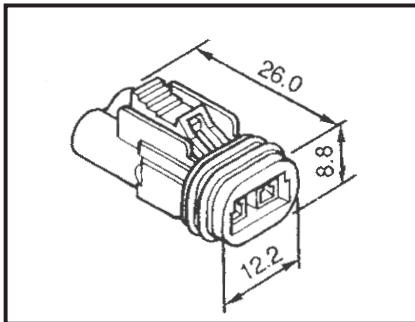
570-001-420-101



570-002-000-200

570-002-000-100

570-002-420-101



570-003-000-200

570-003-000-100

570-003-420-101

