



Multi 20 Multi 30

User manual

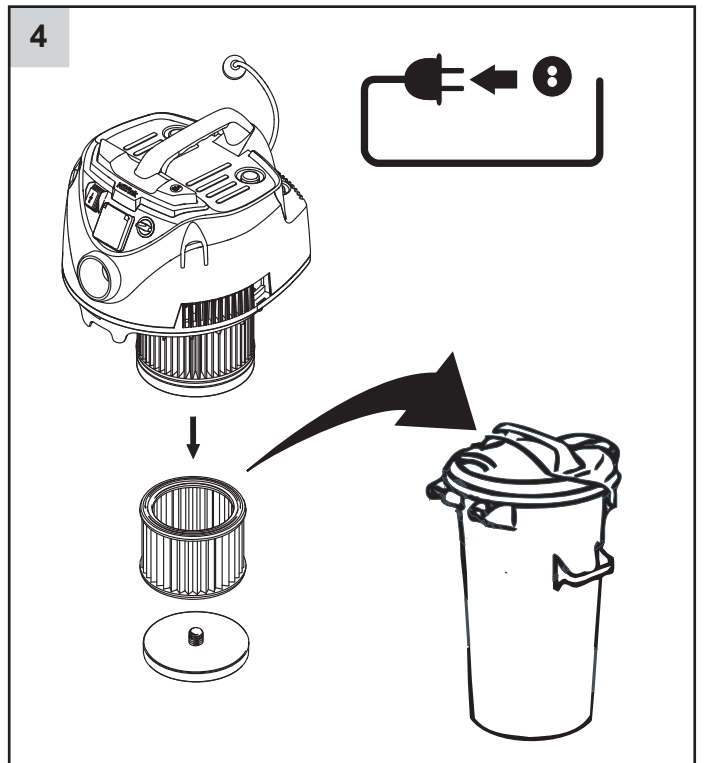
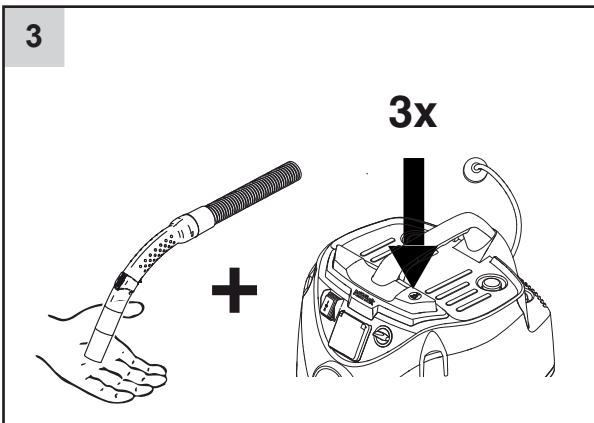
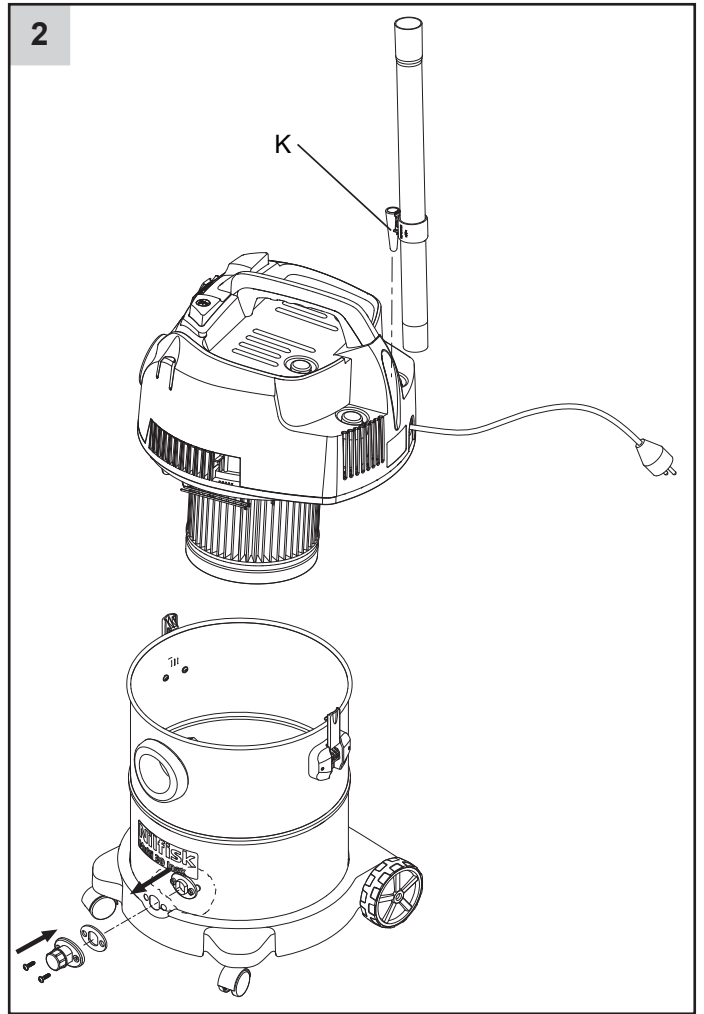
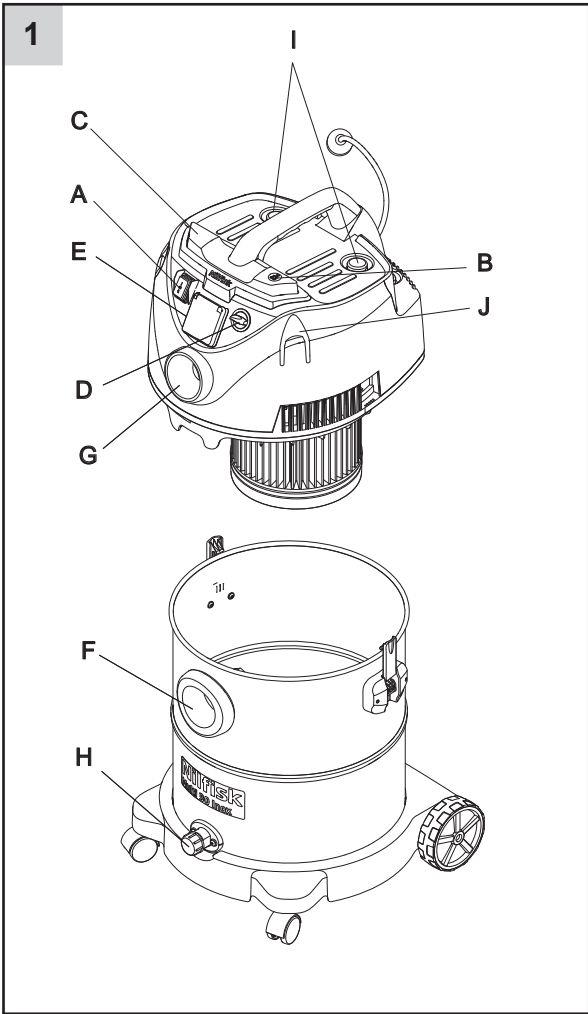


Nilfisk

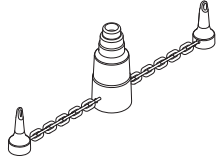
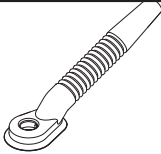

Nilfisk

Multi

English.....	6 - 8
Deutsch	9 - 11
Français.....	12 - 14
Español.....	15 - 17
Português	18 - 20
Italiano	21 - 23
Nederlands	24 - 26
Svenska.....	27 - 29
Norsk	30 - 32
Dansk	33 - 35
Suomi	36 - 38
Ελληνικά	39 - 41
Türkçe.....	42 - 44
Čeština	45 - 47
Slovenski	48 - 50
Magyar.....	51 - 53
Română.....	54 - 56
български.....	57 - 59
Polska.....	60 - 62
Slovenskému	63 - 65
Россию	66 - 68
Eesti.....	69 - 71
Lietuvos	72 - 74
Latvijā	75 - 77
中国的.....	78 - 80



Optional accessories - Optionales Zubehör - Accessoires en option - Accesorios opcionales - Acessórios opcionais - Accessori opzionali - Optionele accessoires - Valfria tillbehör - Valgfritt tilbehør - Ekstra tilbehør - Lisävarusteet - Προαιρετικά εξαρτήματα - İsteğe bağlı aksesuarlar - Volitelné příslušenství - Dodatki - Választható tartozékok - Accesorii optionale - Дополнителни аксесоари - Akcesoria opcjonalne - Doplnkové příslušenstvo - Дополнительные принадлежности - Valikulised tarvikud - Atskirai užsakomi priedai - Izvēles piederumi - 选购配件

107402483	Blow nozzle kit	
107402478	Wall drill kit	
107402336	Dust bag 4 pcs.	

EN

Dear Nilfisk customer

Congratulations on the purchase of your new Nilfisk vacuum cleaner.

DE

FR

Prior to using the appliance for the first time, be sure to read this document through and keep it ready to hand.

ES

Purpose and intended use

The vacuum cleaner is suitable for private use, e.g. for household, hobby workshops, car cleaning - sucking up non-hazardous dust and non-flammable liquids.

PT

IT

NL

Symbols used to mark instructions**WARNING**

Danger that can lead to serious injuries and damage.

SV

NO

DA

Important warnings**WARNING**

- No changes to the mechanical, electrical or thermal safety devices must be made.
- This appliance can be used by children aged from 8 years and above and persons with reduced physical, sensory or mental capabilities or lack of experience and knowledge if they have been given supervision or instruction concerning use of the appliance in a safe way and understand the hazards involved.
- Children shall be supervised to make sure that they do not play with the appliance.
- Cleaning and user maintenance shall not be made by children without supervision.
- Never spray water on the upper section of the vacuum cleaner. Danger for persons, risk or short-circuiting.
- Never use the vacuum cleaner if the filter is damaged.
- The vacuum cleaner features a blow function. Do not blow the air out in the open space. Only use the blow function with a clean tube. Dust may be harmful to health.

FI

EL

TR

CS

SL

HU

RO

BL

PL

SK

RU

ET

Hazardous materials**WARNING**

Vacuuming up hazardous materials can lead to serious or even fatal injuries.

LT

LV

ZH

The following materials must not be picked up

by the vacuum cleaner:

- hazardous dust
- hot materials (burning cigarettes, hot ashes etc.)
- flammable, explosive, aggressive liquids (e.g. petrol, solvents, acids, alkalis, etc.)
- flammable, explosive dust (e.g. magnesium or aluminium dust etc.)

Electrical connection**WARNING**

- Before using the vacuum cleaner make sure that the voltage shown on the rating plate of the vacuum cleaner corresponds to the voltage of the local mains power supply.
- It is recommended that the vacuum cleaner should be connected via a residual current circuit breaker.
- The vacuum cleaner must not be used if the electrical cable or plug shows any sign of damage. Regularly inspect the cable and the plug for damage. If the power cord is damaged, it must be replaced by Nilfisk Service or an electrician to avoid danger before use of the vacuum cleaner is continued.
- Do not handle the electrical cable or plug with wet hands.
- Do not unplug by pulling on cable. To unplug, grasp the plug, not the cable. The plug must always be removed from the socket outlet before starting any service or repair work of the machine or cable.

Maintenance

Always remove the electric plug from the socket before carrying out maintenance work on the machine.

Recycling the vacuum cleaner

The packaging materials can be recycled. Please recycle the components instead of throwing them in your household rubbish. You can also leave the packaging directly at your Nilfisk location to be properly recycled from there.

As specified in European Directive 2002/96/EC on old electrical and electronic appliances, used electrical goods must be collected separately and recycled ecologically. Contact your local authorities or your nearest dealer for further information.

Warranty

Nilfisk warranties apply for the duration specified, calculated from the time of handover of the product to the customer. The warranty guarantees that the product is free from defects.

Batteries, lamps and wearing parts are excluded from the warranty.

In the event of defects arising during the duration of the warranty and of which Nilfisk is given notice, Nilfisk will, of their own choice, either repair the defects, replace the unit or refund the purchase price upon return of the unit. Excluded from this warranty are defects, disorders and wearing effects that can be attributed to wearing from normal use, improper handling or faulty maintenance. Opening the unit housing causes the warranty to become void. Further claims may not be made on the basis of the warranty. The statutory warranty rights of the customer remain unaffected. Warranties can be claimed upon presentation of the product and sales receipt. Manufacturer warranty claims shall be made to the manufacturer. Statutory warranty rights also remain unaffected in this case.

Addendum Australia:

Our goods come with guarantees that cannot be excluded under the Australian Consumer Law. You are entitled to a replacement or refund for a major failure and for compensation for any other reasonably foreseeable loss or damage. You are also entitled to have the goods repaired or replaced if the goods fail to be of acceptable quality and the failure does not amount to a major failure.

Nilfisk vacuum cleaners for domestic use are warranted for 2 years from the date of purchase by:

Nilfisk-Advance Pty Ltd
Unit 1/13 Bessemer Street
Blacktown NSW 2148
Phone: 1300 556 710
E-mail: sales@nilfisk.com.au

Find your local service agent here:
<http://www.nilfisk.com.au>.

The benefits under this warranty are in addition to your national law of sale.

Picking up liquids

Before liquids are picked up, always remove the filter bag. Insert filter for wet operation. Check that the float works properly. If foam develops or liquid emerges from the machine, stop work immediately and empty the dirt tank.

Connecting electrical appliances

Use the socket on the vacuum cleaner for the purpose defined in the operating instructions only. Before plugging an appliance into the appliance socket:

1. Switch off the vacuum cleaner.
2. Switch off the appliance to be connected. **CAUTION!** Follow the operating instructions and safety instructions for appliances connected to the power tool socket. Always unwind the cable of the vacuum cleaner completely before use.

The power consumption of the connected appliance must never exceed the value stated on the type plate of the vacuum cleaner.

The operating voltage shown on the rating plate must correspond to the voltage of the mains power supply.

Parts identification (ref. illu. 1&2, page 4)

- A. On/off switch
- B. Filter cleaning
- C. Cable rewind*
- D. Speed regulation*
- E. Connection of powertool*
- F. Connection of suction hose
- G. Connection to blow function
- H. Water drain*
- I. Accessory storage
- J. Hose and cable storage
- K. Quick park

* Varies depending on model.

Technical specifications

Model	Multi 20		Multi 30	
	CR INOX	T (CR / Inox) T VSC (CR / INOX)	CR INOX	T (CR / INOX) T VSC (CR / INOX)
Voltage (V)	220 - 240			
PIEC (W)	1150 (ZA 1200)		1350	
P _{max} (W)	1400		1800	
Power socket max (W)	NA	EU, AU/NZ: 2000 GB: 1800 CH: 1100 CN: 1050	NA	EU, AU/NZ: 2000 GB: 1600 CH: 900 CN: 850
IP	X4			

EN

Operation instructions

DE

Switching on the vacuum cleaner

FR

On/Off - position "A" (ref. page 7)

ES

Switch "0-I"

PT



Switch position	Function
I	On
0	Off

IT

Switch "I-0-II", auto function

NL



Switch position	Function
I	On
0	Off
II	Powertool Auto on/Off

SV

NO

Filter Clean (ref. illu. 3, page 4)

DA

When the suction performance drops:

FI

EL

1. Connect the power supply.
2. Turn the speed regulation to "max" (ref. page 7) (depending on model).
3. Close the suction hose opening with the palm of your hand.
4. Make a hard/fast push to the **Filter clean** button (ref. pos. "B" page 7). Repeat pushing 3 times. The resulting stream of air cleans the filter.

TR

CS

SL

Cable rewind function

HU

1. Disconnect the power supply. Always clean cable before rewind using a wet/damp cloth.
2. Rewind the cable using the cable rewind button (ref. pos. "C" page 7).

RO

BL

WARNING



When activating the automatic cord rewind, care must be taken as the plug at the end of the cord can swing during the last part of the rewinding. It is recommended that you hold on to the plug while rewinding.

PL

SK

RU

ET

Filter change (ref. illu. 4, page 4)

LT

1. Disconnect the power supply.
2. Turn the filter disc counter-clockwise. Carefully remove the filter and check it for damages. Replace the filter if necessary and dispose the filter according to legal regulations. Using wet and dry filter, clean the filter by compressed air (keep proper

LV


ZH

- distance in order not to damage the filter with the air stream) or rinse in water. Dry filter before use.
3. Carefully clean the filter sealing areas, mount the filter and tighten the filter clockwise.

Changing filter bag

1. Disconnect the power supply.
2. Carefully remove the filter bag from the container and close the small slider in the top of the filter bag. Dispose the filter bag in accordance with legal regulations.
3. Insert the new filter bag in the container and press it gently on the inlet fitting using both hands. Nilfisk always recommends the use of a filter bag for fine dust.

CE Declaration of Conformity

Product:	Vacuum cleaner for wet and dry operation
Model:	Multi 20, Multi 30
Description:	230 V 1~, 50 Hz, 1150 W 220-240 V 1~, 50/60 Hz, 1150 W/1350W IP X4
The design of the appliance corresponds to the following pertinent regulations:	EC Low Voltage Directive 2006/95/EC EC EMC Directive 2004/108/ EC
Applied harmonized standards:	EN ISO 12100-1 (2004), EN ISO 12100-2 (2004) EN 60335-2-2 (2006) EN 55014-1 (2006), EN 55014- 2 (2001), EN 612000-3-2 (2006)
Applied national standards and technical specifications:	DIN EN 60335-2-2 (2007)
 Anton Sørensen General Manager, Technical Operations EAPC	Nilfisk Division of Nilfisk-Advance A/S Industrivej 1 DK-9560 Hadsund Hadsund, 01.12.2010



trusted since 1906

Web: <http://www.nilfisk.com>

HEAD QUARTER

DENMARK

Nilfisk-Advance Group
Sognevej 25
DK-2605 Brøndby
Tel.: (+45) 4323 8100
E-mail: kundeservice.dk@nilfisk.com

SALES COMPANIES

AUSTRIA

Geschäftsbereich der Nilfisk Advance GmbH
Metzgerstrasse 68
A-5101 Bergheim/Salzburg
Tel.: +43 (0) 662 45 64 00 90
E-mail: info.at@nilfisk.com
Web: <http://www.consumer.nilfisk.at>

BELGIUM

Nilfisk-Advance NV/SA.
Riverside Business Park
Boulevard Internationale 55
Bruxelles 1070
Tel.: +32 14 67 60 50
Web: <http://www.nilfisk.be>

CHILE

Nilfisk-Advance de Chile
San Alfonso 1462
Santiago
Tel.: (+56) 2 684 5000
E-mail: Pablo.Noriega@nilfisk.com

CHINA

Nilfisk-Advance Cleaning Equipment (Shanghai) Ltd.
No. 4189 Yindu Road
Xinzhuang Industrial Park
Shanghai 201108
Tel.: +86 21 3323 2000
E-mail: info.sha-cn@nilfisk.com
Web: <http://www.nilfisk.cn>

CZECH REPUBLIC

Nilfisk-Advance s.r.o.
VGP Park Horní Pocernice
Budova H2, Do Certous 1
Praha 190 00
Tel.: +420 244 090 912
E-mail: info@nilfisk.cz
Web: <http://www.nilfisk.cz>

DENMARK

Nilfisk-ALTO Danmark
Industrivej 1
9560 Hadsund
Tel.: +45 7218 2120
E-mail: salg.dk@nilfisk-alto.com
Web: <http://www.nilfisk.dk>

FINLAND

Nilfisk-Advance Oy Ab
Koskelontie 23E
02920 Espoo
Tel.: +358 207 890 600
Web: <http://www.nilfisk.fi>

FRANCE

Nilfisk-Advance
26 Avenue de la Baltique
Villebon sur Yvette
91944 Courtaboeuf Cedex
Tel.: 169 59 87 24
E-mail: info.fr@nilfisk-advance.fr
Web: <http://www.nilfisk.fr>

GERMANY

Nilfisk-ALTO
Guido-Oberdorfer-Strasse 10
89287 Bellenberg
Tel.: +49 7306 72-0
E-mail: info-consumer.de@nilfisk.com
Web: <http://www.nilfisk.de>

GREECE

Nilfisk-Advance SA
8, Thoukididou str.
164 52 Argiroupoli
Tel.: +30 210 91 19 600
E-mail: info@nilfisk.gr
Web: <http://www.nilfisk.gr>

HOLLAND

Nilfisk-Advance
Versterkerstraat 5
1322 AN Almere
Tel.: +31 365 460 700
E-mail: info.nl@nilfisk.com
Web: <http://www.nilfisk.nl>

HONG KONG

Nilfisk-Advance Ltd.
Room 2001 HK Worsted Mills
Industrial Building
31-39 Wo Tong Tsui Street
Kwai Chung, NT
Tel.: +852 2427 5951

HUNGARY

Nilfisk-Advance Kereskedelmi Kft.
H-2310 Szigetszentmiklós
Lakihegy, II. Rákóczi Ferenc út 10
Tel.: +36 24 507 450
Web: <http://www.nilfisk.hu>

INDIA

Nilfisk-Advance India Limited
Pramukh Plaza, "B" Wing, 4th floor
Unit No. 403
Cardinal Gracious Road
Chakala, Andheri (East)
Mumbai - 400 099
Tel.: +91 22 61188199

IRELAND

Nilfisk-Advance
1 Stokes Place
St. Stephen's Green
Dublin 2
Tel.: +35 3 12 94 38 38

ITALY

Nilfisk-Advance SpA
Strada Comunale della Braglia, 18
26862 Guardamiglio (LO)
Tel.: +39 0377 41 40 31
Web: <http://www.nilfisk.it>

JAPAN

Nilfisk-Advance Inc.
1-6-6 Kita-shinyokohama, Kouhoku-ku
Yokohama, 223-0059
Tel.: +81 45 548 2571

MALAYSIA

Nilfisk-Advance Sdn Bhd
Sd 14, Jalan KIP 11
Taman Perindustrian KIP
Sri Damansara
52200 Kuala Lumpur
Tel.: +60 3603 627 43 120

MEXICO

Nilfisk-Advance de Mexico, S. de R.L. de C.V.
Agustin M. Chavez No. 1, PB oficina 004
Col. Centro de Ciudad Santa Fe
01210 Mexico, D.F.
Tel.: +52 55 2591 1002 (switchboard)
E-mail: info@advance-mx.com

NEW ZEALAND

Nilfisk-Advance Limited
Danish House
6 Rockridge Avenue
Penrose, Auckland 1135
Tel.: +64 9525 3890
Web: <http://nilfisk.com.au>

NORWAY

Nilfisk-Advance AS
Bjørnerudveien 24
1266 Oslo
Tel.: +47 22 75 17 80
Web: <http://www.nilfisk.no>

POLAND

Nilfisk-Advance Sp. z o.o.
Millenium Logistic Park
ul. 3-go Maja 8, Bud. B4
05-800 Pruszków
Tel.: +48 22 738 3750
E-mail: biuro@nilfisk.pl
Web: <http://www.nilfisk.pl>

PORTUGAL

Nilfisk-Advance
Sintra Business Park
Zona Industrial Da Abrunheira
Edificio 1, 1° A
P2710-089 Sintra
Tel.: +351 21 911 2670
Web: <http://www.nilfisk.pt>

RUSSIA

Нилфиск-Эдванс
127015 Москва
Вятская ул. 27, стр. 7
Россия
Tel.: +7 495 783 9602
E-mail: info@nilfisk.ru
Web: <http://www.nilfisk.ru>

SOUTH KOREA

Nilfisk-Advance Korea
471-4, Kumwon B/D 2F,
Gunja-Dong, Gwangjin-Gu,
Seoul
Tel.: +82 2497 8636

SOUTH AFRICA

WAP South Africa (Pty) Ltd
12 Newton Street
1620 Spartan, Kempton Park
Tel.: +27 11 975-7060
E-mail: mhenstock@wap.co.za
Web: <http://www.wap.co.za>

SPAIN

Nilfisk-Advance S.A.
Torre D'Ara
Paseo del Rengle, 5 Pl. 10
08302 Mataró
Tel.: +34 93 741 2400
E-mail: mkt.es@nilfisk.com
Web: <http://www.nilfisk.es>

SWEDEN

Nilfisk-ALTO Sverige AB
Aminogatan 18
431 04Möndal
Tel.: +46 31 706 73 00
E-mail: info.se@nilfisk.com
Web: <http://www.nilfisk.se>

SWITZERLAND

Nilfisk-Advance AG
Ringstrasse 19
Kirchberg/Industrie Stelz
9500 Wil
Tel.: +41 71 92 38 444
Web: <http://www.nilfisk.ch>

TAIWAN

Nilfisk-Advance
Taiwan Branch (H.K.)
No. 5, Wan Fang Road
Taipei
Tel.: +886 2 22398812
Web: <http://www.nilfisk-advance.com.tw>

THAILAND

Nilfisk-Advance Co. Ltd.
89 Soi Chokechai-Ruammitr
Viphavadee-Rangsit Road
Ladysao, Jatuchak, Bangkok 10900
Tel.: +66 2275 5630

TURKEY

Nilfisk-Advance A.S.
Serifali Mh. Bayraktar Bulv.
Şehit Sk. No: 7
Ümraniye
Istanbul
Tel.: +90 216 466 94 94
E-mail: info.tr@nilfisk-advance.com
Web: <http://www.nilfisk.com.tr>

UNITED KINGDOM

Nilfisk (A Division of Nilfisk-Advance Ltd.)
Bowerbank Way
Gilwilly Industrial Estate, Penrith
Cumbria CA11 9BQ
Tel: 01768 868995
Web: <http://www.nilfisk.co.uk>

UNITED ARAB EMIRATES

Nilfisk-Advance Middle East Branch
SAIF-Zone
P.O. Box 122298
Sharjah
Tel.: +971 (0) 655 78813

VIETNAM

Nilfisk-Advance Representative Office
No. 51 Doc Ngu Str.
Ba Dinh Dist.
Hanoi
Tel.: +84 904266368
E-mail: nilfisk@vnn.vn