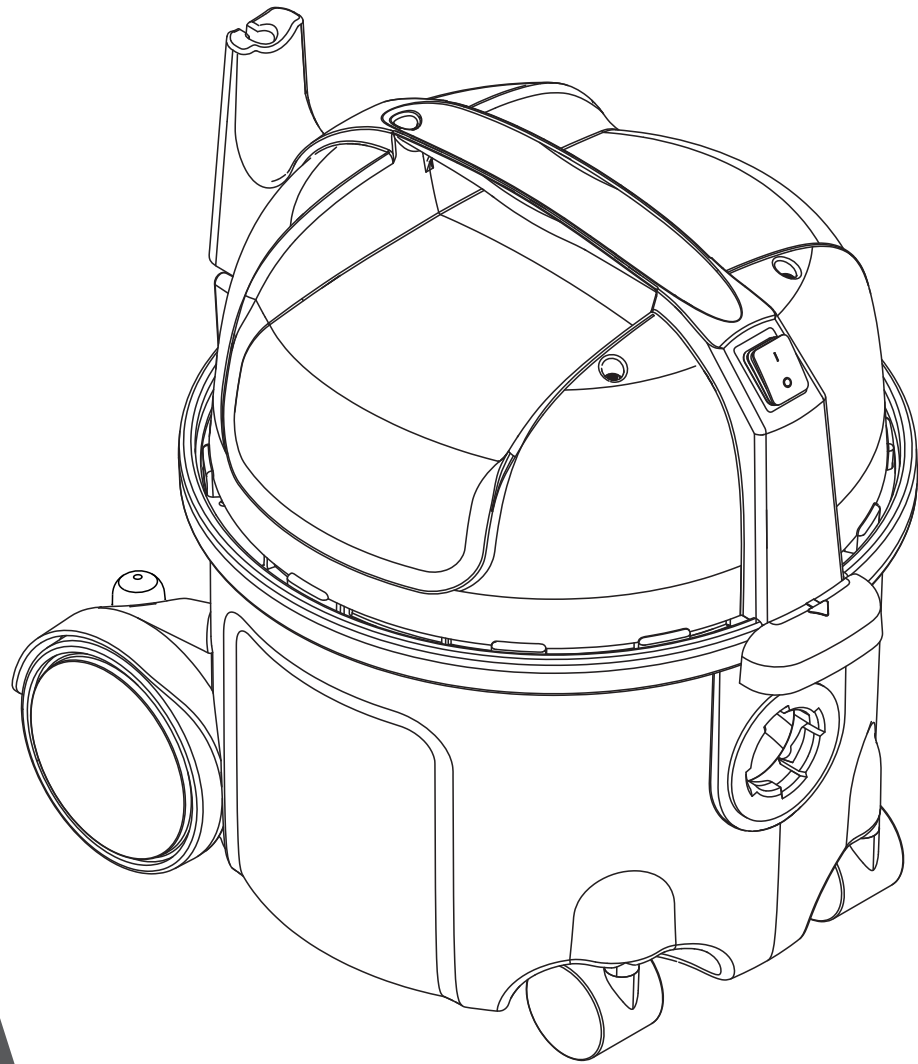


CE 107404503 C



INSTRUCTIONS FOR USE

BRUGSANVISNING

BETRIEBSANLEITUNG

MODE D'EMPLOI

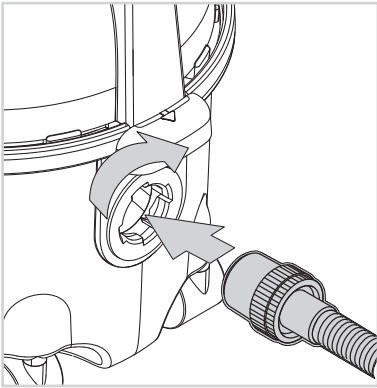
INSTRUCCIONES DE USO

VP300 SERIES USER MANUAL

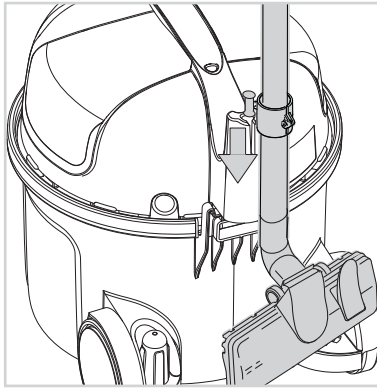


English.....	6
Deutsch	9
Français.....	12
Nederlands	15
Italiano	18
Norsk	21
Svenska	24
Dansk.....	27
Suomi.....	30
Español.....	33
Português.....	36
Ελληνικά.....	39
Türkçe.....	42
Čeština.....	47
Polski	50
Magyar	53
Română	56
Български	59
Русский.....	62
Eesti	65
Latviski	68
Lietuviškai	71

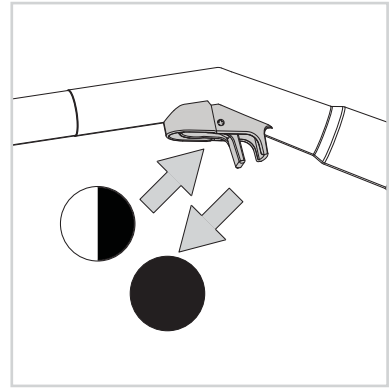
1 - Basic operations



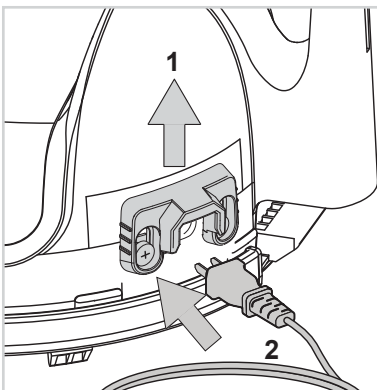
1.2



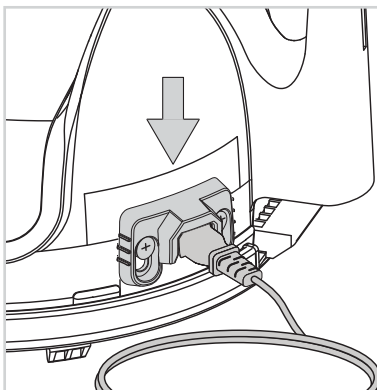
2 - Suction regulation



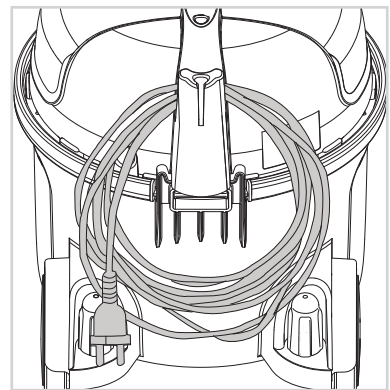
3 - Cordlock (HEPA)



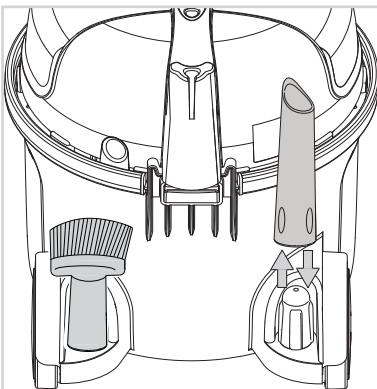
3.1



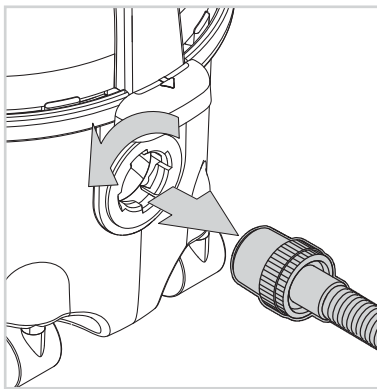
4 - Wind up the cord starting from the machine



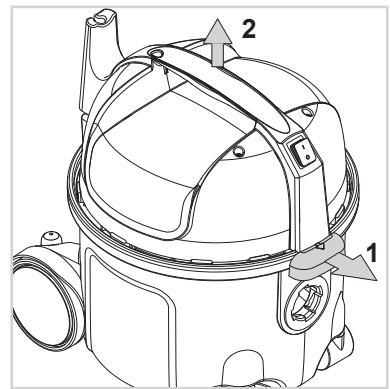
5 - Accessories parking



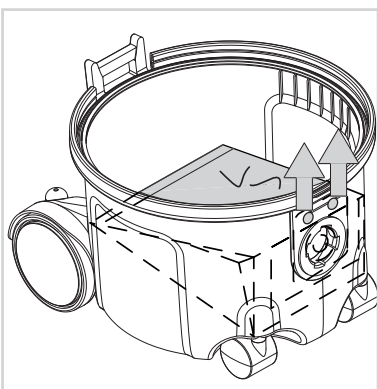
6 - Dust bag replacement



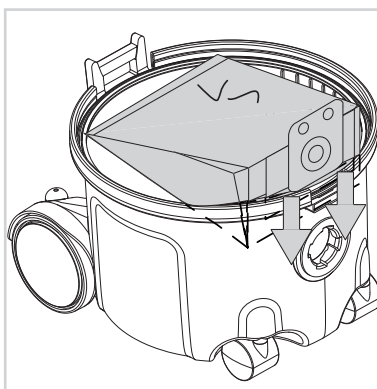
6.1



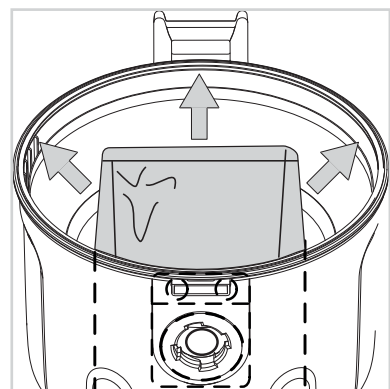
6.2



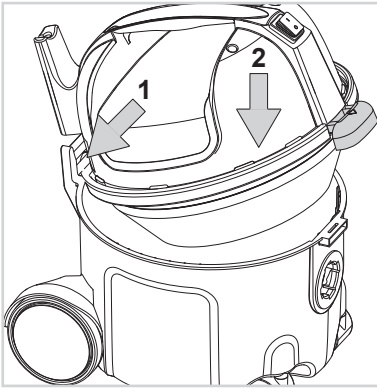
6.3



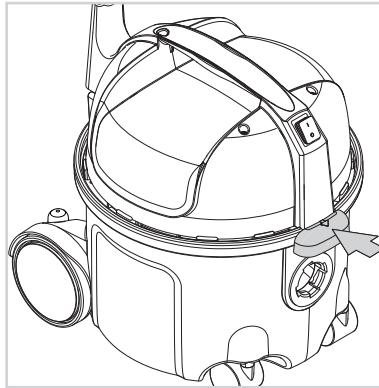
6.4



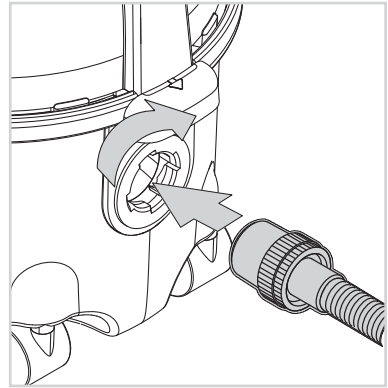
6.5



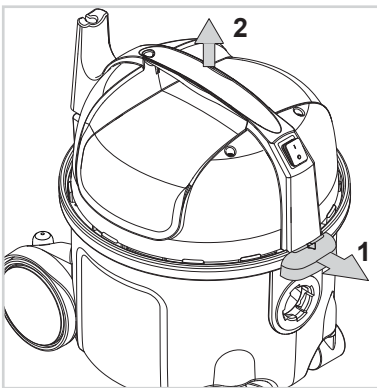
6.6



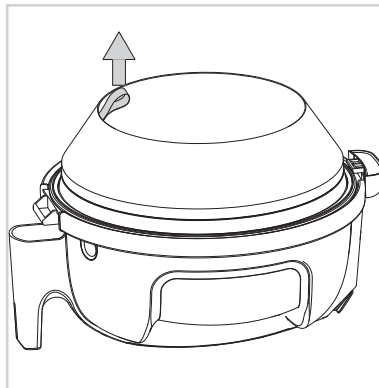
6.7



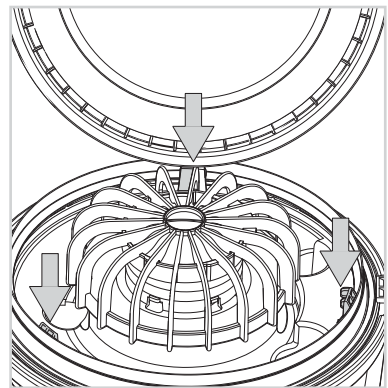
7 - Sack filter



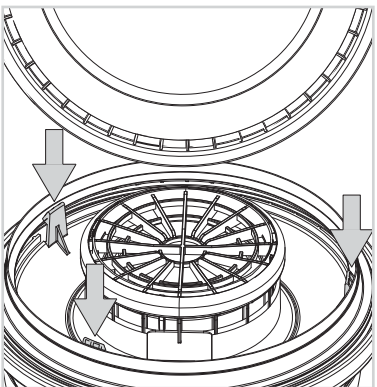
7.1



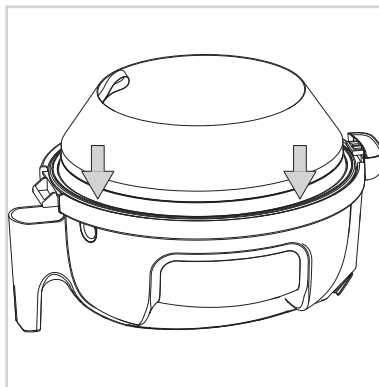
7.2 (eco)



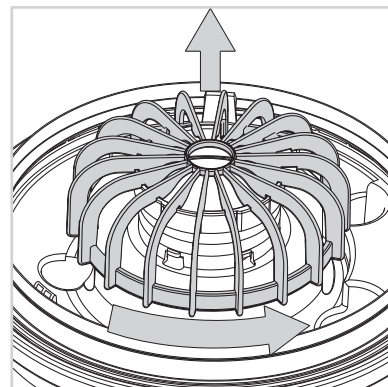
7.2 (HEPA)



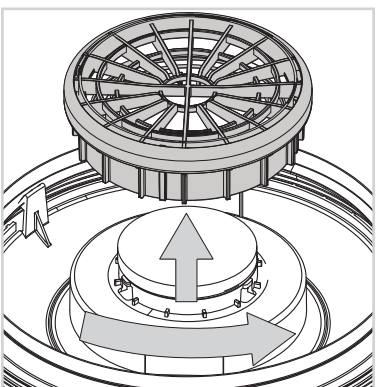
7.3



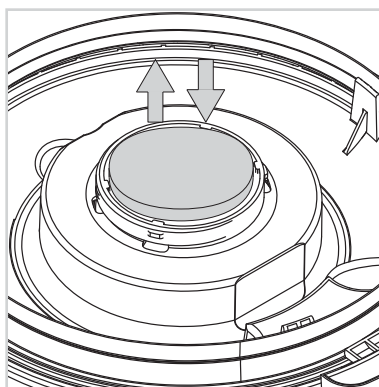
8 - Motor filter (eco)



8 - Motor filter (HEPA)



8.1



English

Instructions for use



Prior to using the appliance for the first time, be sure to read this document through and keep it ready to hand.

Before using the vacuum cleaner make sure that the voltage shown on the rating plate on the vacuum cleaner corresponds with the main voltage.

This machine is intended for commercial use, for example in hotels, schools, hospitals, factories, shops, offices and rental businesses.

Purpose and intended use

The appliance is suitable for picking up dry, non-flammable dust.

Symbols used to mark instructions

WARNING



Danger that can lead to serious injuries or even death.

CAUTION



Danger that can lead to minor injuries and damage.

Important warnings

WARNING



- The vacuum cleaner must not be used for the suction of water, liquids or inflammable gases.
- No changes to the mechanical, electrical or thermal safety devices must be made.
- This appliance can be used by children aged from 8 years and above and persons with reduced physical, sensory or mental capabilities or lack of experience and knowledge if they have been given supervision or instruction concerning use of the appliance in a safe way and understand the hazards involved.
- Children shall be supervised to make sure that they do not play with the appliance.
- Cleaning and user maintenance shall not be made by children without supervision.
- Operators shall be adequately instructed on the use of this machine.
- This machine is for dry use only.

CAUTION



- This machine is for indoor use only.
- This machine shall be stored indoors only.

This machine is equipped with a thermal cut-out to protect the motor and other vital machine parts from overheating. Should the machine cut out, you will have to wait at least 45 minutes for it to automatically reset. While you are waiting, switch the machine off and unplug it, then check the hose, dust bag and filters to be sure that nothing is blocking the flow of air through the machine.

The VP300 HEPA is not a HEPA certified machine and should not be used in cleaning environments where approved sealed HEPA machines need to be used.

VP300 HEPA: The vacuum cleaner is supplied with a paper dust bag already in place. Never use the vacuum cleaner without a properly fitted dust bag.

Electrical connection

WARNING



- The vacuum cleaner must not be used if the electrical cable or plug show any sign of damage. Regularly inspect the cable and the plug for damage. If this becomes damaged, it should be repaired only by Nilfisk or an authorised Nilfisk Service Dealer, in order to avoid a hazard.
- Do not handle the electrical cable or plug with wet hands.
- Do not unplug by pulling on cable. To unplug, grasp the plug, not the cable. The plug must always be removed from the socket outlet before starting any service or repair work of the machine or the cable.

Hazardous materials

WARNING



Vacuumping up hazardous materials can lead to serious or even fatal injuries.

The following materials must not be picked up by the vacuum cleaner:

- hazardous dust
- hot materials (burning cigarettes, hot ash, etc.)
- flammable, explosive, aggressive liquids (e.g. petrol, solvents, acids, alkalis, etc.)
- flammable, explosive dust (e.g. magnesium or aluminum dust, etc.)

Maintenance

Always keep the cleaner in a dry place. The cleaner is designed for continuous heavy work. Depending on the number of running hours – the dust filters should be renewed. Keep the container clean with a dry cloth, and a small amount of spray polish.

For details of after sales service contact Nilfisk directly.

Warranty

Our general conditions of business are applicable with regard to the guarantee.

Unauthorised modifications to the appliance, the use of incorrect brushes in addition to using the appliance in a way other than for the intended purpose exempt the manufacturer from any liability for the resulting damage.



As specified in European Directive 2002/96/EC on old electrical and electronic appliances, used electrical goods must be collected separately and recycled ecologically.

Contact your local authorities or your nearest dealer for further information.

Specifications

		VP300 eco						VP300 HEPA			
		EU	UK	CN	AU	ZA	US	JP	EU 1	EU 2	UK
Voltage	V	220-240				110-120	100	220-240			
Mains frequency	Hz	50/60									
Power consumption IEC	W	900						1200			
Suction power, with hose+tube	W	200			185	170	260				
Air flow rate	l/min	1920				1740		1920			
Vacuum	kPa	23			21	19	23				
Sound pressure level, IEC 60704-2-1	dB(A)	69 ± 2									
Sound pressure, BS 5415	dB(A)	50 ± 2									
Power cord: Length	m	10					15	10			
Insulation class		II									
Type of protection		IP 20									
Dust bag net filling	l	8					7,5				
Width	mm	340									
Depth	mm	395									
Height	mm	390									
Weight, cleaner only	kg	5,2					5,3				
Filter		Sack						Sealed HEPA			

Specifications and details are subject to change without prior notice.

 EU Declaration of Conformity	
Product:	Vacuum cleaner
Type:	VP300
The design of the unit corresponds to the following pertinent regulations:	EC Machine Directive 2006/42/EC EC EMC Directive 2004/108/EC EC RoHS Directive 2011/65/EC
Applied harmonised standards:	EN 60335-1: 2002+A1+A11+A2+A12+A13+A14 EN 60335-2-69: 2009 EN 62233: 2008 EN 55014-1: 2006 EN 55014-2: 1997+A1: 2001+A2: 2008 EN 61000-3-2: 2006 EN 61000-3-3: 2008
Applied national standards and technical specifications:	IEC 60335-1:2001+A1+A2 IEC 60335-2-69:2002+A1+A2 IEC 62233: 2005
Name and address of the person authorised to compile the technical file:	Anton Sørensen General Manager, Technical Operations EAPC Nilfisk-Advance A/S Sognevej 25 DK-2605 Brøndby
Identity and signature of the person empowered to draw up the declaration on behalf of the manufacturer:	 Anton Sørensen General Manager, Technical Operations EAPC Nilfisk-Advance A/S Sognevej 25 DK-2605 Brøndby
Place and date of the declaration:	Hadsund, february 1. 2013

HEAD QUARTER

DENMARK

Nilfisk-Advance A/S
Sognevej 25
DK-2605 Brøndby
Tel.: (+45) 4323 8100
www.nilfisk-advance.com

SALES COMPANIES

ARGENTINA

Nilfisk – Advance S.R.L.
Herrera 1855 6º piso Of. A-604
CP 1293 – Ciudad Autónoma de Buenos Aires
www.nilfisk.com.ar

AUSTRALIA

Nilfisk-Advance
Unit 1, 13 Bessemer Street Blacktown
NSW 2148 Australia
www.nilfisk.com.au

AUSTRIA

Nilfisk-Advance
Metzgerstrasse 68
A-5101 Bergheim/Salzburg
www.nilfisk.at

BELGIUM

Nilfisk-Advance NV/SA.
Riverside Business Park
Boulevard Internationale 55
Bruxelles 1070
www.nilfisk.be

CHILE

Nilfisk-Advance S.A.
San Alfonso 1462, Santiago
www.nilfisk.com

CHINA

Nilfisk-Advance Cleaning Equipment (Shanghai) Ltd.
No. 4189 Yindu Road
Xinzhuan Industrial Park
Shanghai 201108
www.nilfisk.cn

CZECH REPUBLIC

Nilfisk-Advance s.r.o.
VGP Park Horní Pocernice
Budova H2, Do Certous 1
Praha 190 00
www.nilfisk.cz

DENMARK

Nilfisk Danmark
Sognevej 25
DK-2605 Brøndby
www.nilfisk-advance.com

FINLAND

Nilfisk-Advance Oy Ab
Koskelontie 23E
02920 Espoo
www.nilfisk.fi

FRANCE

Nilfisk-Advance
26 Avenue de la Baltique
Villebon sur Yvette
BP 246
91944 Courtaboeuf Cedex
www.nilfisk.fr

GERMANY

Nilfisk
Geschäftsbereich der Nilfisk-Advance AG
Siemensstrasse 25-27
25462 Rellingen
www.nilfisk.de

GREECE

Nilfisk-Advance A.E.
8, Thoukididou Str.
Argiroupoli, Athens, GR-164 52
www.nilfisk.gr

HOLLAND

Nilfisk-Advance BV
Versterkerstraat 5
1322 AN Almere
www.nilfisk.nl

HONG KONG

Nilfisk-Advance Ltd.
Room 2001 HK Worsted Mills, Industrial Building
31-39 Wo Tong Tsui Street
Hong Kong, Kwai Chung, N.T.
www.nilfisk.com

HUNGARY

Nilfisk-Advance Kereskedelmi Kft.
H-2310 Szigetszentmiklós-Lakihegy
II. Rákóczi Ferenc út 10
www.nilfisk.hu

INDIA

Nilfisk-Advance India Limited
Pramukh Plaza, "B" Wing, 4th floor, Unit No. 403
Cardinal Gracious Road, Chakala
Andheri (East), Mumbai 400 099
www.nilfisk.com

IRELAND

Nilfisk-Advance
1 Stokes Place
St. Stephen's Green
Dublin 2, Ireland
www.nilfisk.ie

ITALY

Nilfisk-Advance S.p.A.
Strada Comunale della Braglia, 18
26862 Guardamiglio (LO)
www.nilfisk.it

JAPAN

Nilfisk-Advance Inc.
1-6-6 Kita-shinyokohama
Kouhoku-ku
Yokohama, 223-0059
www.nilfisk-advance.co.jp

KOREA

Nilfisk-Advance Korea
471-4, Kumwon B/D 2F
Gunja-Dong, Gwangjin-Gu, Seoul
www.nilfisk-advance.kr

MALAYSIA

Nilfisk-Advance Sdn Bhd
SD 33, Jalan KIP 10
Taman Perindustrian KIP
Sri Damansara
52200 Kuala Lumpur
Malaysia
www.nilfisk.com

MEXICO

Nilfisk Advance de Mexico S. de R.L. de C.V.
Agustin M. Chavez 1, PB-004
Col. Centro Ciudad Santa Fe
C.P. 01210 México, D.F.
www.nilfisk-advance.com.mx

NEW ZEALAND

Nilfisk-Advance NZ Ltd
Danish House
6 Rockridge Avenue
Penrose Auckland NZ 1135
www.nilfisk.com.au

NORWAY

Nilfisk-Advance AS
Bjørnerudveien 24
N-1266 Oslo
www.nilfisk.no

POLAND

Nilfisk-Advance Sp. z o.o
ul. 3-go Maja 8, Bud. B4
Pruszków, PL-05-800
www.nilfisk.pl

PORTUGAL

Nilfisk-Advance
Sintra Business Park
Zona Industrial Da Abrunheira
Edificio 1, 1º A
P2710-089 Sintra
www.nilfisk.pt

RUSSIA

Nilfisk-Advance LLC
Vyatskaya str. 27, bld. 7, 1st floor
Moscow, 127015
www.nilfisk.ru

SOUTH AFRICA

WAP South Africa (Pty) Ltd
12 Newton Street
1620 Spartan, Kempton Park
www.wap.co.za

SPAIN

Nilfisk-Advance, S.A.
Torre D'Ara
Passeig del Rengle, 5 Plta. 10ª
Mataró, E-0830222
www.nilfisk.es

SWEDEN

Nilfisk
Sjöbjörnsvägen 5
117 67 Stockholm
www.nilfisk.se

SWITZERLAND

Nilfisk-Advance AG
Ringstrasse 19
Kirchberg/Industrie Stelz
Wil, CH-9500
www.nilfisk.ch

TAIWAN

Nilfisk-Advance Ltd.
Taiwan Branch (H.K.)
No. 5, Wan Fang Road, Taipei
www.nilfisk-advance.com.tw

THAILAND

Nilfisk-Advance Co. Ltd.
89 Soi Chokechai-Ruammitr
Viphavadee-Rangsit Road
Jomphol, Jatuchak
Bangkok 10900
www.nilfisk.com

TURKEY

Nilfisk-Advance A.S.
Şerifali Mh. Bayraktar Bulv. Sehit Sk. No: 7
Ümraniye, Istanbul 34775
www.nilfisk.com.tr

UNITED KINGDOM

Nilfisk (A Division of Nilfisk-Advance Ltd)
Nilfisk House
24 Hillside Road
Bury St Edmunds, Suffolk
IP32 7EA
www.nilfisk.co.uk

UNITED ARAB EMIRATES

Nilfisk-Advance Middle East Branch
SAIF-Zone, P. O. Box 122298
Sharjah
www.nilfisk.com

VIETNAM

Northern
Nilfisk-Advance Co.Ltd.
No.51 Doc Ngu Str.
Lieu Giai Ward
Ba Dinh Dist. Hanoi
www.nilfisk.com

Southern

Pan Trading JSC
236/43/2 Dien Bien
Phu Str. Ward 17
Binh Thanh Dist. HCMC
www.nilfisk.com