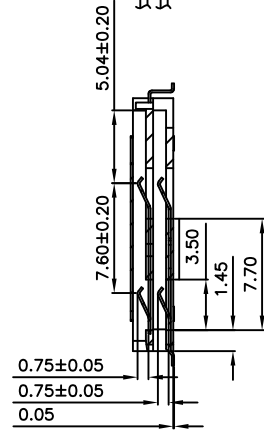
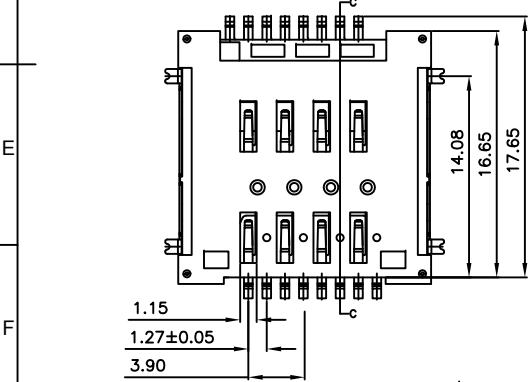


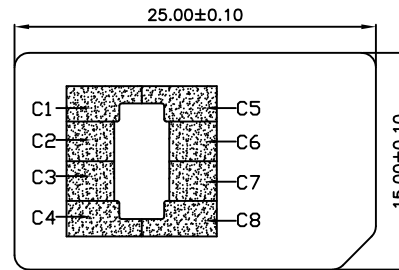
RECOMMENDED PCB LAYOUT  
GENERAL TOLERANCE ±0.05  
AS VIEWED FROM COMPONENT SIDE

- Solder Area
- Component Outline



Section C-C

- C1----->VCC
  - C2----->RST
  - C3----->CLK
  - C4----->RFU
  - C5----->GND
  - C6----->Vpp
  - C7----->I/O
  - C8----->RFU
- RFU - Reserved for Future Use



Specification 规格:

Material 物料规格:

Plastic Housing 塑胶外壳: LCP 30%GF, UL94V-0, black 黑色  
Contact Terminal 接触端子: Phosphor Bronze 磷青铜 C5191R-EH, Thickness 厚度=0.15mm  
Metallic Shell 金属外壳: Phosphor Bronze 磷青铜 C5210R-EH, Thickness 厚度=0.15mm

Plating 电镀规格:

Contact Terminal 接触端子:  
Contact Area 接触区域: 3μ"Gold镀金, Solder area 焊接部分: 1μ" Gold镀金  
Underplating 底层电镀: Ni overall 镍底50μ"  
Metallic Shell 金属外壳:  
Solder area 焊接区域镀金1μ" Gold镀金  
Underplating 底层电镀: Ni overall 镍底50μ"

Mechanical 机械规格:

Duration 耐久性: 5000cycles次插拔

Electrical 电气规格:

Voltage Rating 电压额定值: 30V   
Current Rating 电流额定值: 0.5A Max. 最大   
Operating Temperature 工作温度: -40°C to +85°C   
Dielectric Withstanding Voltage 耐电压: 200V AC (60Sec Min. 60秒最小)  
Insulation Resistance 绝缘电阻: 100MΩ Min. 最小. (Apply施加 500VDC)  
Contact Resistance 接触电阻: 100mΩ Max. 最大

Ordering Grid

SIM6050 - 8 - 0 - 30 - 00 - A REQUEST SAMPLES AND QUOTATION

No. of Contacts  
8

Packing Options  
A = Tape & Reel  
(700 per Reel)

Profile Height (H)  
30 = 3.00mm

By	SA	SA
DETAIL	DRAWING RELEASE	SPEC UPDATE
REV DATE	A 15/03/10	B 28/05/10

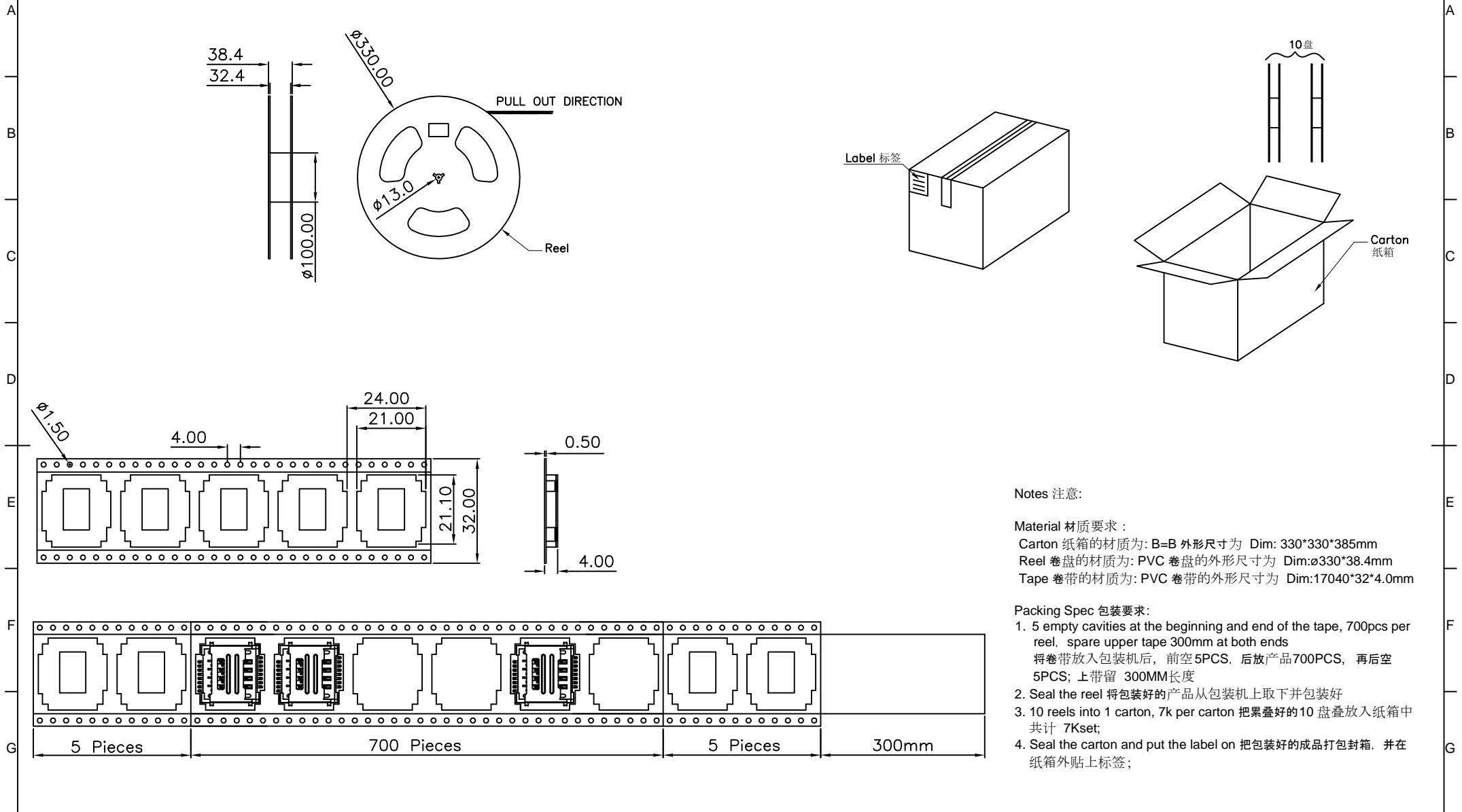


Tolerances (Except as noted)	Part Number:-	Date:-
Dimensions in mm	SIM6050	15 MAR 10
X.X ± 0.35	Description:-	
X.XX ± 0.25	SIM CARD CONNECTOR, RETAINER TYPE, DUAL SIM, 2x8 PIN, SMT, PROFILE 3.00MM	
X.XXX ± 0.15		
X.XX ± 2.0°		
Third Angle Projection	THIS DRAWING IS CONFIDENTIAL AND MUST NOT BE COPIED OR DISCLOSED WITHOUT WRITTEN CONSENT	

**GCT**

www.globalconnectortechology.com

Scale	Revision	Material	Drawn by	Sheet No.
NTS	B	See Note	SA	E & OE 1/2



**Notes 注意:**

**Material 材质要求 :**

Carton 纸箱的材质为: B=B 外形尺寸为 Dim: 330\*330\*385mm  
 Reel 卷盘的材质为: PVC 卷盘的外形尺寸为 Dim:  $\phi$ 330\*38.4mm  
 Tape 卷带的材质为: PVC 卷带的外形尺寸为 Dim: 17040\*32\*4.0mm

**Packing Spec 包装要求:**

- 5 empty cavities at the beginning and end of the tape, 700pcs per reel, spare upper tape 300mm at both ends  
 将卷带放入包装机后, 前空 5PCS, 后放产品 700PCS, 再后空 5PCS; 上带留 300MM 长度
- Seal the reel 将包装好的产品从包装机上取下并包装好
- 10 reels into 1 carton, 7k per carton 把累叠好的 10 盘叠放入纸箱中共计 7Kset;
- Seal the carton and put the label on 把包装好的成品打包封箱, 并在纸箱外贴上标签;

By	SA	SA
DETAIL	DRAWING RELEASE	SPEC UPDATE
REV DATE	A 15/03/10	B 28/05/10



Tolerances (Except as noted)	Part Number:-	Date:-
Dimensions in mm	SIM6050	15 MAR 10
	Description:-	
	SIM CARD CONNECTOR, RETAINER TYPE, DUAL SIM, 2x8 PIN, SMT, PROFILE 3.00MM	
Third Angle Projection	© THIS DRAWING IS CONFIDENTIAL AND MUST NOT BE COPIED OR DISCLOSED WITHOUT WRITTEN CONSENT	

**GCT**

www.globalconnectortechology.com

Scale	Revision	Material	Drawn by	Sheet No.
NTS	B	See Note	SA	E & OE 2/2