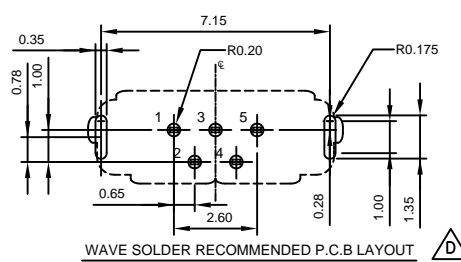
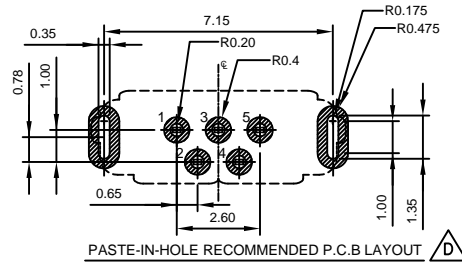
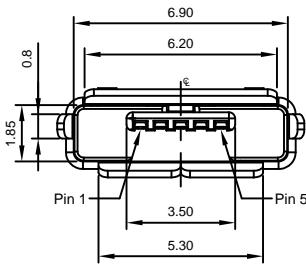
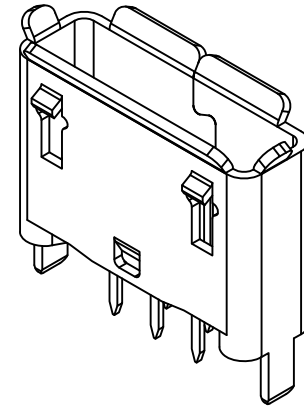
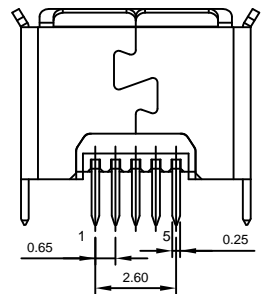


Designed to comply with physical, electrical and environmental requirements of Micro USB Standard (USB2.0), A/B types support USB On-The-GO (OTG) interface.



GENERAL TOLERANCE: ±0.05
AS VIEWED FROM COMPONENT SIDE
 Solder Area
 Component Outline



Ordering Grid
USB3105 - **30** - **A** **REQUEST SAMPLES AND QUOTATION**

Contact Plating
30 = 30µ" Gold

Packing Options
A = Tape & Reel
(1.5K per Reel)

Specifications 规格:

Materials 材料:

Plastic Housing 塑胶外壳: LCP, UL94V-0, Black, LCP, UL94V-0 黑色.
 Contact Terminal 接触端子: Copper Alloy 铜合金.
 Metallic Shell 金属外壳: Stainless Steel 不锈钢 SUS304 T=0.2mm.

Finish 表面处理:

Underplating 底层电镀: Nickel 镍 100µ" min.
 Plating 电镀:
 Contact Area 接触面积: 30µ" Gold plating, 30µ" 镀金
 Solder Tails 焊接末端: Gold Flash 闪金
 Metallic Shell 金属外壳: Nickel 镍 100µ" min.

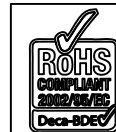
Electrical 电气规格:

Voltage Rating 电压额定值: 30V
 Current Rating 电流额定值: Signal (Pins 2,3,4) 信号: 1.0 A. **⚠**
 Power (Pins 1,5) 电源: 1.8A.
 Operating Temperature 工作温度: -55°C to +85°C.
 Contact Resistance 接触电阻值: 30mΩ Max.
 Insulating Resistance 绝缘电阻值: 1000MΩ Min.
 Dielectric Withstand Voltage 耐压: 100V AC/Minute

Mechanical 机械性规格:

Mating Force 插入力: 35N Max.
 Unmating Force 拔出力: Initial 10N Min., 初始 10N,
 Final 8N Min., 最后 8N
 Durability 耐久性: 10,000 Cycles 次插拔

By	SA	SA	CM	CM
DETAIL	DRAWING RELEASE	PCNUSB3105-001	DRAWING UPDATE	PCN:- USB3105-002
REV	A	B	C	D
DATE	04/04/11	22/06/11	17/10/11	23/01/12



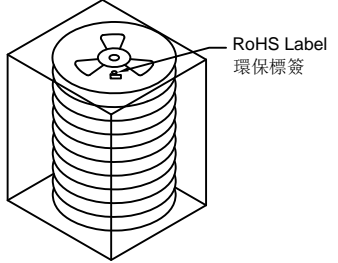
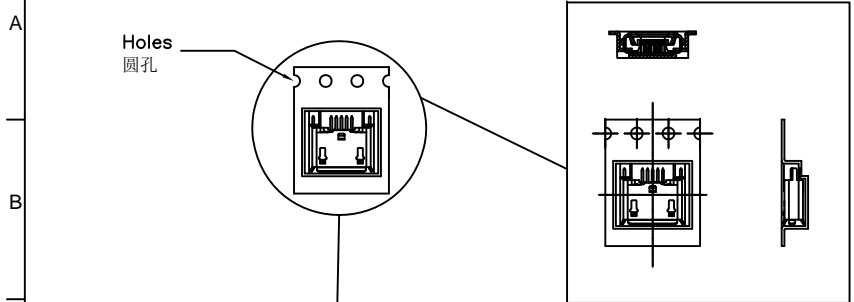
Tolerances (Except as noted)	Part Number:-	Date:-
Dimensions in mm	USB3105	04 APR 11
X.X ± 0.35	Description:-	
X.XX ± 0.25	µ USB RECEPTACLE, TYPE AB, THROUGH HOLE, VERTICAL, WITH THRU HOLE SHELL STAKES	
Third Angle Projection	© THIS DRAWING IS CONFIDENTIAL AND MUST NOT BE COPIED OR DISCLOSED WITHOUT WRITTEN CONSENT	

GCT

www.globalconnectortechology.com

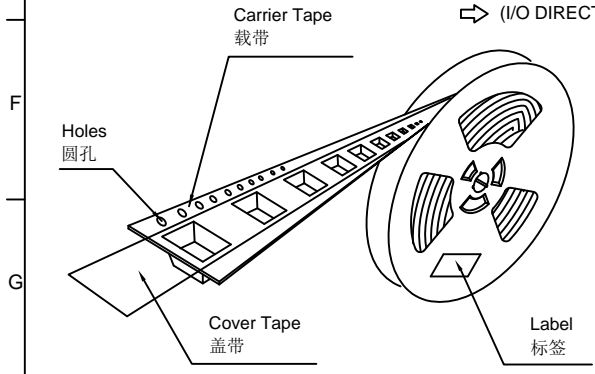
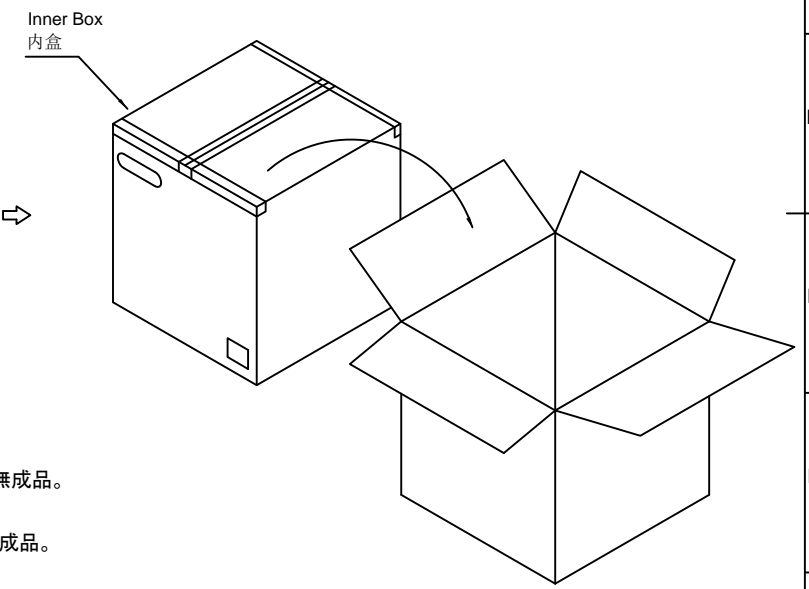
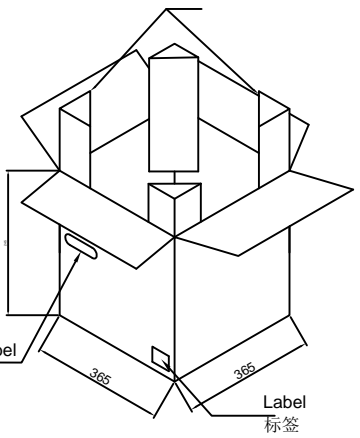
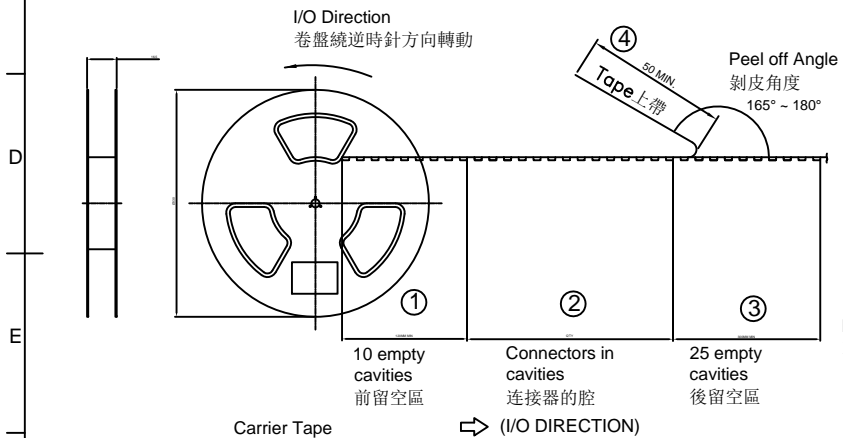
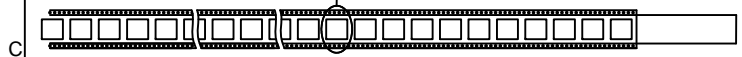
Scale	Revision	Material	Drawn by	Sheet No.
NTS	D	See Note	SA	E & OE 1/2

Global Connector Technology Ltd. - USB3105: Micro USB Receptacle, Type AB, Through Hole, Vertical, with Through Hole Shell Stakes



Products P/N	PCS/Reel	Reels/Carton	PCS/Carton
USB3105-30-A	1500	10	15000

Notes注意:
 1.Part Conforms to EIA-481-C Standards 产品符合EIA-481-C标准
 2.All dimensions in millimeters 所有尺寸均是毫米
 3.10 sprocket hole pitch cumulative tolerance±0.2mm



NOTE:
 ① There are 10 empty cavities at the start of the reel 前留空區(10PCS), 無成品。
 ② Quantity as per the Table 數量按表。
 ③ There are 25 empty cavities at the end of the reel 後留空區(25PCS), 無成品。
 ④ There are 50mm tape without the carrier 只有上帶, 無下帶。

By	SA	SA	CM	CM
DETAIL	DRAWING RELEASE	PCNUSB3105-001	DRAWING UPDATE	PCN:- USB3105-002
REV DATE	A 04/04/11	B 22/06/11	C 17/10/11	D 23/01/12



Tolerances (Except as noted)	Part Number:-	Date:-
Dimensions in mm	USB3105	04 APR 11
	Description:-	
	μ USB RECEPTACLE, TYPE AB, THROUGH HOLE, VERTICAL, WITH THRU HOLE SHELL STAKES	
Third Angle Projection	© THIS DRAWING IS CONFIDENTIAL AND MUST NOT BE COPIED OR DISCLOSED WITHOUT WRITTEN CONSENT	

GCT

www.globalconnectortechnology.com

Scale NTS	Revision D	Material See Note	Drawn by SA	E & OE	Sheet No. 2/2
-----------	------------	-------------------	-------------	--------	---------------