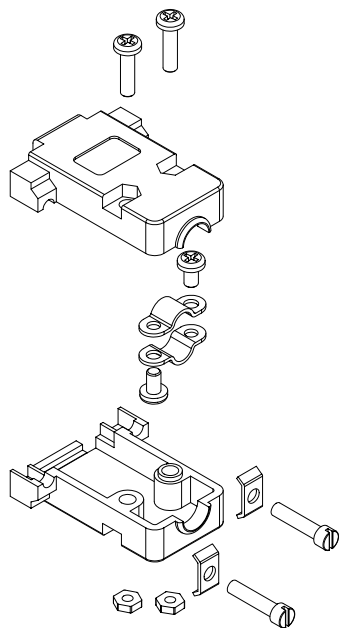
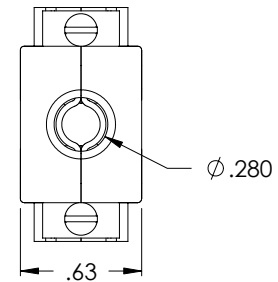
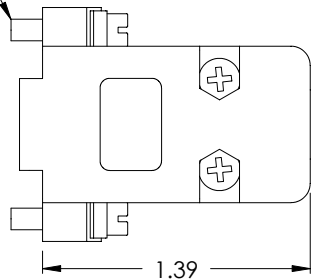


2X 4-40 UNC-2A



NOTE:

1. HOOD: FLAME RETARDANT GRAY PLASTIC
- 2.
3. ALL HARDWARE SHOWN PROVIDED WITH CONNECTOR KIT.