

4

3

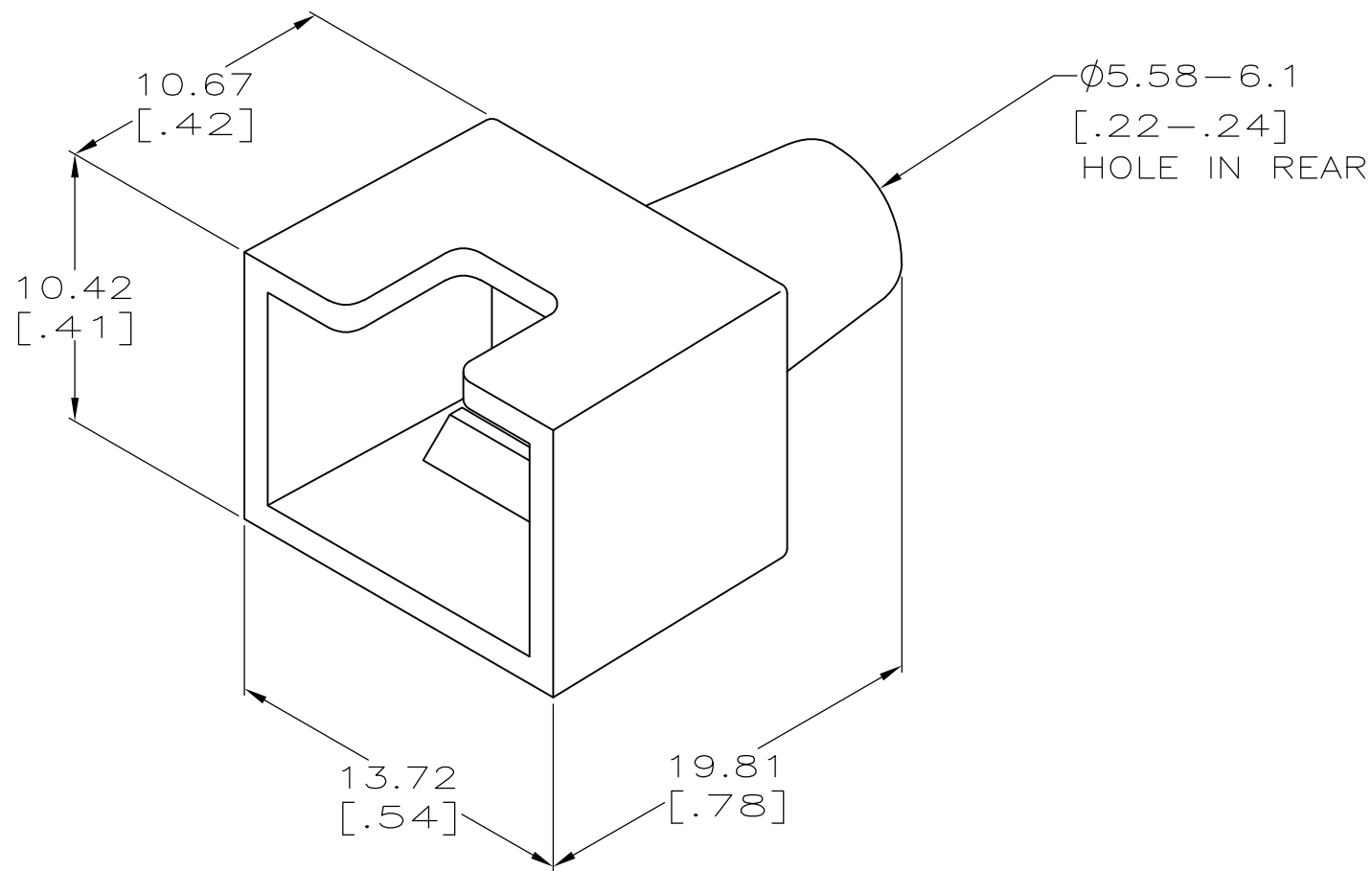
2

1

THIS DRAWING IS UNPUBLISHED. RELEASED FOR PUBLICATION - , - .
 © COPYRIGHT - By - ALL RIGHTS RESERVED.

LOC	DIST	REVISIONS				
P	LTR	DESCRIPTION	DATE	DWN	APVD	
HM	00	A1	REVISED PER ECO-11-005033	22MAR11	RK HMR	

- ① MATERIAL: ELASTOMER POLYOLEFIN, SEE TABLE FOR COLOR.
- ② DIMENSIONS ARE MAXIMUM UNLESS OTHERWISE SPECIFIED.



VIOLET	558211-9
WHITE	558211-8
ORANGE	558211-7
YELLOW	558211-6
BLUE	558211-5
GREEN	558211-4
RED	558211-3
LT ALMOND	558211-2
BLACK	558211-1
COLOR	PART NO.

THIS DRAWING IS A CONTROLLED DOCUMENT.		DWN D.L. DRUMMOND 8-10-94	TE Connectivity														
DIMENSIONS: mm[INCHES]		CHK D. HUSSEY 8-19-94															
TOLERANCES UNLESS OTHERWISE SPECIFIED:		APVD B. ANTHONY 26AUG1994	NAME BOOT, MODULAR PLUG														
<table border="0"> <tr><td>0 PLC</td><td>± -</td></tr> <tr><td>1 PLC</td><td>± -</td></tr> <tr><td>2 PLC</td><td>± -</td></tr> <tr><td>3 PLC</td><td>± -</td></tr> <tr><td>4 PLC</td><td>± -</td></tr> <tr><td>ANGLES</td><td>± -</td></tr> </table>		0 PLC	± -	1 PLC	± -	2 PLC	± -	3 PLC	± -	4 PLC	± -	ANGLES	± -	PRODUCT SPEC -	RESTRICTED TO -		
0 PLC	± -																
1 PLC	± -																
2 PLC	± -																
3 PLC	± -																
4 PLC	± -																
ANGLES	± -																
MATERIAL -		FINISH -	APPLICATION SPEC -	SIZE A3	CAGE CODE 00779	DRAWING NO C-558211											
CUSTOMER DRAWING			WEIGHT -	SCALE 4:1	SHEET 1 of 1	REV A1											