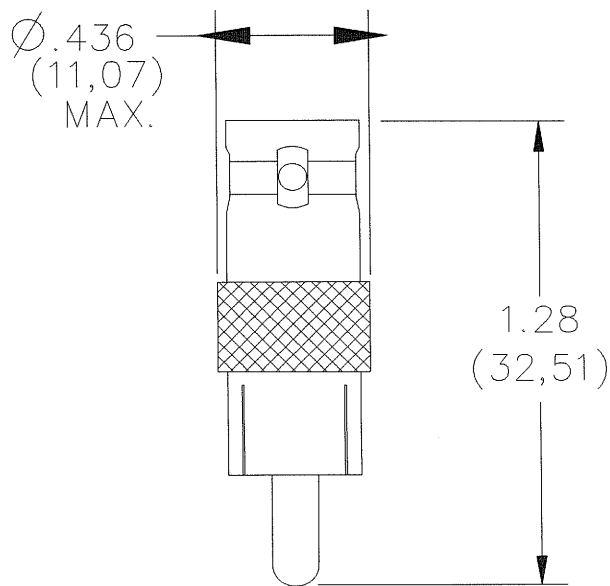


# MUELLER®

**MODEL: BU-P5319**

**Adapter -- BNC Female to Phono Plug**



**MATERIALS:**

Body – Nickel Plated Brass

Contacts – Gold plated Beryllium Copper

Phono Contact – Gold plated Brass

Insulator – PTFE

**RATING:**

Voltage: Hands free testing to 500VRMS Max.

Temperature: -50°C to 105°C

Frequency: 0 to 12.4 GHz

Impedance: 50 Ohms