

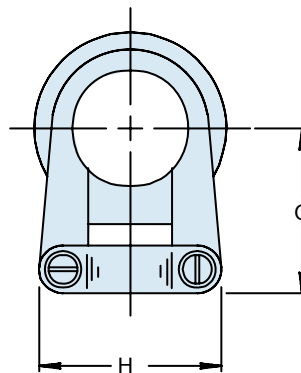
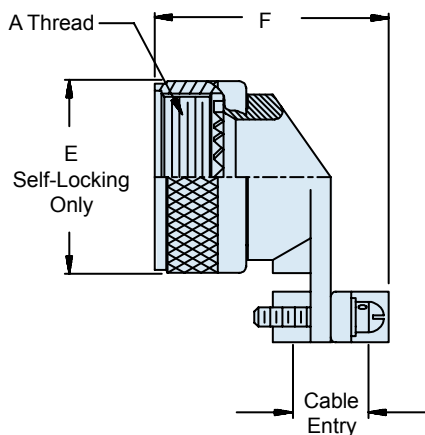
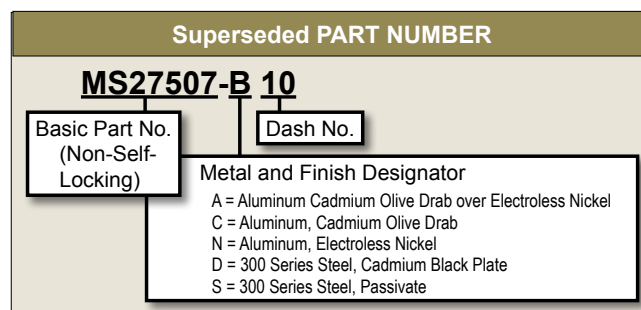
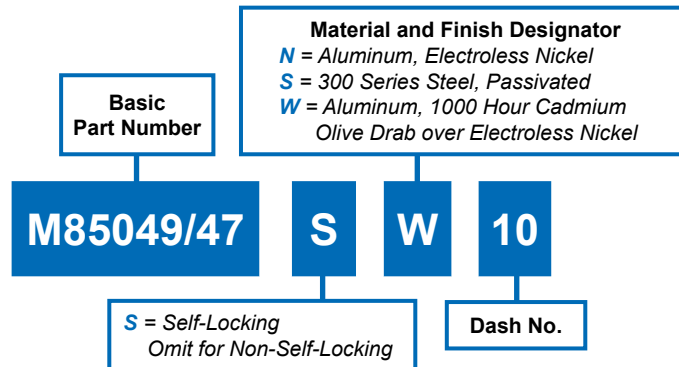


AS85049/47 and MS27507 90° Strain Relief Self-Locking or Non-Self-Locking

CONNECTOR DESIGNATOR:

F MIL-DTL-27599,
MIL-DTL-38999 Series I & II

**FOR NEW DESIGN
USE AS85049/123**



APPLICATION NOTES

1. Assembly to be identified with manufacturer's name and part number, space permitting.
2. Cable Entry is defined as the accommodation entry for the wire bundle or cable.
3. Dimensions are not intended for inspection criteria.
4. For complete dimensions, see the applicable Military Specification.
5. Metric dimensions (mm) are in parentheses.

TABLE I: Shell Size, Cable Entry and Backshell Dimensions

Dash No.	Shell Size Ref.	A Thread Class 2B	Ø E Max	F Max	G Max	H Max	Cable Entry					
							Min	Max	Min	Max		
A	8/9	.438 - 28 UNEF	.86 (21.8)	1.38 (35.1)	1.00 (25.4)	.85 (21.6)	.098 (2.5)	.234 (5.9)	.153 (3.9)	.234 (5.9)	.190 (4.8)	.328 (8.3)
10	10/11	.562 - 24 UNEF	.98 (24.9)	1.38 (35.1)	1.10 (27.9)	.90 (22.9)	.153 (3.9)	.234 (5.9)	.190 (4.8)	.328 (8.3)	.260 (6.6)	.457 (11.6)
12	12/13	.688 - 24 UNEF	1.16 (29.5)	1.46 (37.1)	1.10 (27.9)	1.10 (27.9)	.260 (6.6)	.457 (11.6)	.325 (8.3)	.634 (16.1)	.343 (8.7)	.698 (17.7)
14	14/15	.813 - 20 UNEF	1.28 (32.5)	1.63 (41.4)	1.25 (31.8)	1.15 (29.2)	.325 (8.3)	.634 (16.1)	.381 (9.7)	.823 (20.9)	.283 (7.2)	.614 (15.6)
16	16/17	.938 - 20 UNEF	1.41 (35.8)	1.80 (45.7)	1.30 (33.0)	1.30 (33.0)	.381 (9.7)	.823 (20.9)	.418 (10.6)	.853 (21.7)	.325 (8.3)	.634 (16.1)
18	18/19	1.063 - 18 UNEF	1.52 (38.6)	1.82 (46.2)	1.35 (34.3)	1.50 (38.1)	.325 (8.3)	.634 (16.1)	.381 (9.7)	.823 (20.9)	.343 (8.7)	.698 (17.7)
20	20/21	1.188 - 18 UNEF	1.64 (41.7)	1.90 (48.3)	1.60 (40.6)	1.60 (40.6)	.381 (9.7)	.823 (20.9)	.418 (10.6)	.853 (21.7)	.325 (8.3)	.634 (16.1)
22	22/23	1.313 - 18 UNEF	1.77 (45.0)	2.04 (51.8)	1.75 (44.5)	1.70 (43.2)	.381 (9.7)	.823 (20.9)	.418 (10.6)	.853 (21.7)	.325 (8.3)	.634 (16.1)
24	24/25	1.438 - 18 UNEF	1.89 (48.0)	2.15 (54.6)	1.85 (47.0)	1.80 (45.7)	.381 (9.7)	.823 (20.9)	.418 (10.6)	.853 (21.7)	.325 (8.3)	.634 (16.1)