

PSS Series

- Robust Nylon Housing
- Normally Closed
- Surface Mounted by fixing screws
- Fully encapsulated
- Integral magnet

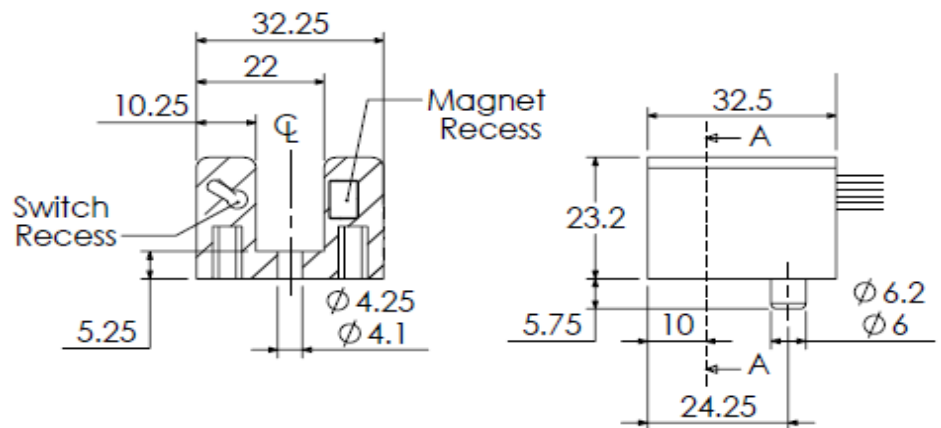


✓RoHS

The PSS2015

From our range of position sensors which offer design engineers reed switch reliability. The design encompasses a reed switch and magnet in the same housing ensuring consistent shunt operation.

dimensions



FEATURES

- Pin location
- Ferrous Vane operation
- Repeatability of operation
- 1 housing
- Fully encapsulated

APPLICATIONS

- Door Interlocks
- Material Handling
- Security Systems
- Position Interlocks
- Position Indication

performance specifications

Material, Design and Operation

Mounting	Any Axis
Housing Material	Glass Filled Nylon 6.6
Housing Colour	Black
Fitting	Surface (Pin location)
Switch Action	SPST
Contact Form	A
Contact Material	Ruthenium
Maximum Switching Volts (VAC)	250
Maximum Switching Volts (VDC)	200
Maximum Switching Current (Amp)	1
Maximum Power (Watt)	40
Connection Type	Stripped Cables
Cable Type	22AWG, PVC insulated
Cable Length	2 x 0.5M
Cable Colour	Black/Black
Operate Temperature Range	-55°C to 125°C
Shock / Vibration	50g for 11ms duration
Operate Mode	Shunt
IP Rating	IP65

The information in this sheet has been carefully reviewed and is believed to be accurate; however, no responsibility is assumed for inaccuracies. Furthermore, this information does not convey to the purchaser of such devices any license under the patent rights to the manufacturer. Measurement Specialties, Inc. reserves the right to make changes without further notice to any product herein. Measurement Specialties, Inc. makes no warranty, representation or guarantee regarding the suitability of its product for any particular purpose, nor does Measurement Specialties, Inc. assume any liability arising out of the application or use of any product or circuit and specifically disclaims any and all liability, including without limitation consequential or incidental damages. Typical parameters can and do vary in different applications. All operating parameters must be validated for each customer application by customer's technical experts. Measurement Specialties, Inc. does not convey any license under its patent rights nor the rights of others.

ordering info

The PSS2015 is from our PSS Series of Shunt Sensors.

The Series is available in alternative with a number of standard options including:

- Housings
- Reed Switch configurations
- Maximum load switching abilities
- Termination

Please see the PSS Series part number tree.