

Cliff Contractor® Terminals are primarily intended for use in permanent installation situations. The terminals are of modular construction so that any number of individual units may be joined together to make multiple units.

Main features:

- Two mounting options - Direct PC mounting or chassis connection with ¼" faston receptacles.
- Screw fixing module which can be positioned anywhere in a multiple assembly, to allow fixing of the assembly to a PCB or chassis by means of a screw.
- End terminations to finish the ends cleanly, and to give sufficient creepage clearance for the end terminals to meet UL norms.
- Terminals accept wires from 26AWG to 12AWG. Additionally, ¼" forked spade connectors can be inserted in the access slot.
- The clamping method is a combi-screw with a slotted cross head which clamps onto a captive profiled washer.
- Touchproof and tamper resistant by closing the lid, after the connection is tightened. The lid can be opened again by inserting a small screwdriver blade into the lid latch slot.
- It is possible to write on the lid cover with a suitable pen. For OEM users, it is possible for our factory to hot print custom legends onto the lid or on the front face.
- A particular feature of our design allows users to make up colour coded multiple assemblies, e.g. red / black, red / black / blue.

This product is UK Registered Design 2066438, USA Patent No. 405055

Cliff Electronic Components, Ltd.

76 Holmethorpe Avenue, Holmethorpe Ind. Est.

Redhill, Surrey RH1 2PF. England

Tel: +44 (0) 1737 771375

Fax: +44 (0) 1737 766012

Email: sales@cliffuk.co.uk



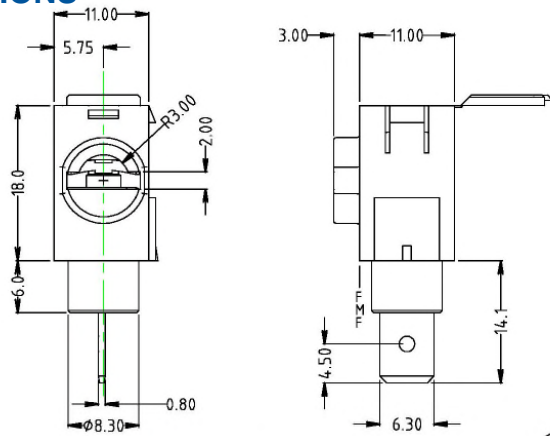
Visit us online at:

www.cliffuk.co.uk

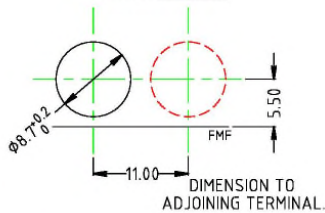


DIMENSIONS

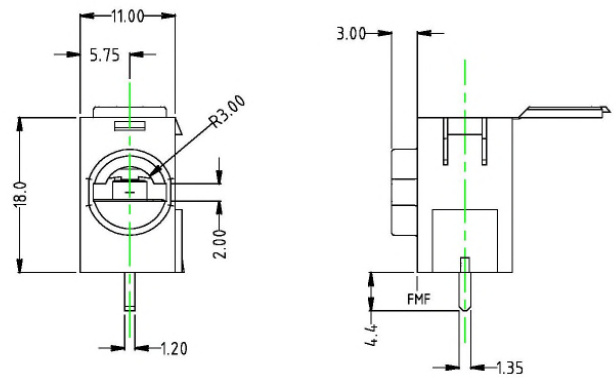
FASTON TYPE



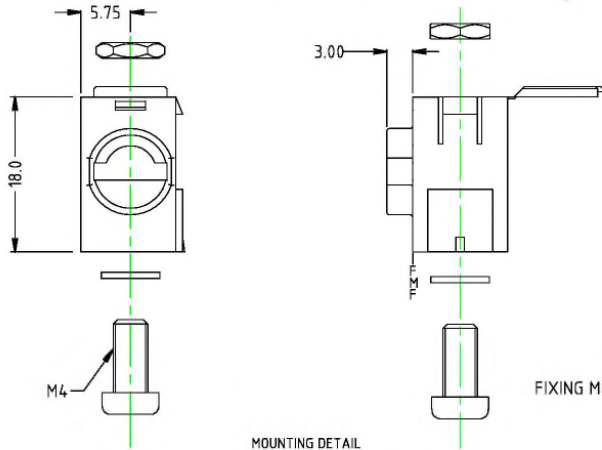
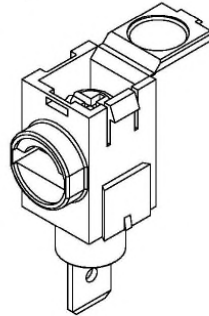
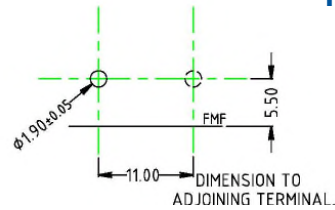
MOUNTING DETAIL



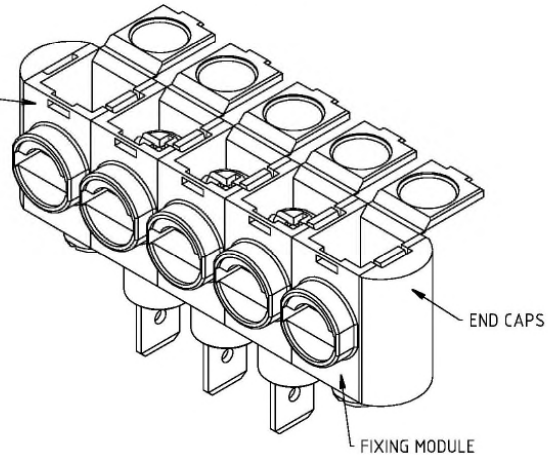
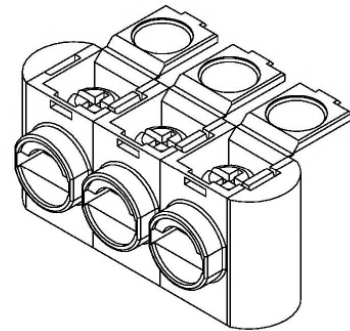
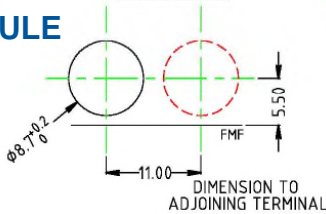
PC TYPE



MOUNTING DETAIL



MOUNTING DETAIL



FIXING MODULE

P/No.	Description
FCR7900	1/4" Faston - Black - Nickel
FCR7900G	1/4" Faston - Black - Gold
FCR79001	1/4" Faston - Red - Nickel
FCR79001G	1/4" Faston - Red - Gold
FCR79002	1/4" Faston - Blue - Nickel
FCR79002G	1/4" Faston - Blue - Gold
FCR7901	PC Type - Black - Nickel
FCR7901G	PC Type - Black - Gold
FCR79011	PC Type - Red - Nickel
FCR79011G	PC Type - Red - Gold
FCR79012	PC Type - Blue - Nickel
FCR79012G	PC Type - Blue - Gold
FCR7902	Screw Mount M4 - Black
FCR7903	End Plates (Pair) - Black
FCR79031	End Plates (Pair) - Red
ASK Pre-assembled multiple assemblies	

SPECIFICATION

Rated (Max.) 30A. *

Contact Resistance (Nickel) <30mΩ
(Gold) <20mΩ

Dielectric Withstand >2.5KVAC 50Hz for 1 minute.
(Contact to chassis)

Temperature Range -20°C to +80°C

Flammability Min UL94HB

Max. screw tightening torque 0.8Nm

Applicable specs: UL94HB, EN60065 (Complies)

Supplied: Packs of 100pcs. Lids open.
Screw fixing unit: Packs of 100pcs. Screws separate.
Ends: Bags of 100 sets.

* PCB version tested by wire attached to PCB pin. Not in a PCB.