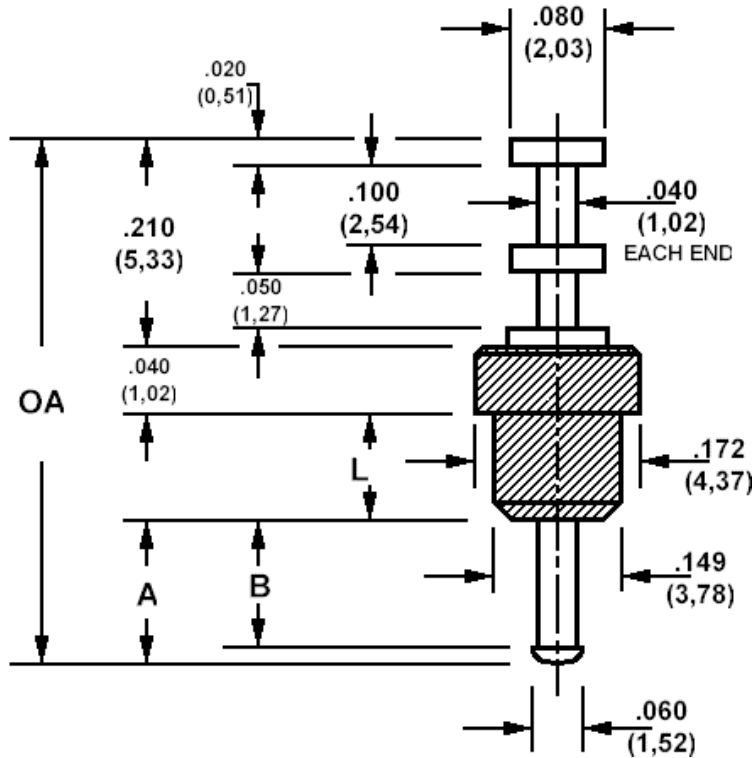


## 571-4182 Insulated solder terminal, Turreted, Feed thru

Recommended mounting hole .136 (3,45)



### How to order code

**571-4182-XX-YY-19**

Basic Part No (XX = Panel thickness, YY = plating finish. See tables for options)

| Basic Part No. |     | OA (ref)     | L           | Panel Thickness (XX)       |
|----------------|-----|--------------|-------------|----------------------------|
| 571-4182       | -01 | .500 (12,70) | .100 (2,54) | .031 (0,79) to .062 (1,59) |
|                | -02 | .500 (12,70) | .125 (3,18) | .031 (0,79) to .085 (2,16) |
|                | -03 | .500 (12,70) | .165 (4,19) | .031 (0,79) to .125 (3,18) |

| Additional Dimensions |     |             |             |
|-----------------------|-----|-------------|-------------|
| Basic Part No.        |     | A           | B           |
| 571-4182              | -01 | .150 (3,81) | .120 (3,05) |
|                       | -02 | .125 (3,18) | .095 (2,41) |
|                       | -03 | .085 (2,16) | .055 (1,40) |

| Component | Material       | Finish (YY) |                |
|-----------|----------------|-------------|----------------|
|           |                | -01         | -05            |
| Terminal  | Brass          | Silver      | Electro Solder |
| Insulator | Teflon - white |             |                |

| Additional Specifications   | Panel thickness |      |      |
|-----------------------------|-----------------|------|------|
|                             | -01             | -02  | -03  |
| Flashover VRMS at Sea Level | 3000            | 3000 | 3000 |
| Capacitance (pF)            | 0.4             | 0.4  | 0.4  |

Teflon is a registered trademark of Dupont