

**RoHS
Compliant**

Specifications:

Mechanical Characteristics



Motor Design	: Single phase, 8-poles Brushless DC motor
Bearing System	: Vapo bearing system
Materials Of Frame	: Thermoplastic PBT of UL 94V-0 (UL File E175395)
Materials Of Fan Blade	: Thermoplastic PBT of UL 94V-0 (UL File E175395)
Direction Of Rotation	: Counter-clockwise viewed from front of fan blade
Mounting Holes	: Diameter 3.2 mm in 3 holes
Weight	: 8.5g
Frame Dimensions	: 30mm × 30mm × 10mm

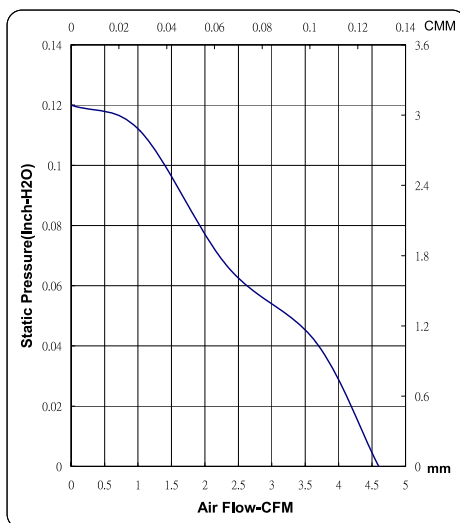
Electric Characteristics

Rated Voltage	: 12V DC
Rated Current	: 40mA / Max. 46mA
Rated Power Consumption	: 0.48W / Max. 0.56W
Operating Voltage Range	: 4.5V DC to 13.8V DC
Starting Voltage	: 4.5V DC (25°C Power On/Off)
Operating Temperature Range	: -10°C to +70°C
Storage Temperature Range	: -40°C to + 70°C

Performance Characteristics

Rated Speed	: 8,000 RPM ±20% at rated voltage
Air Flow	: 4.6 CFM
Static Pressure	: 0.12 Inch-H ₂ O
Acoustic Noise	: 20 dB(A)
Insulation Class	: UL Class A (UL File E175395)
Insulation Resistance Plastic Housing	: 500MΩ at 500 V DC between internal stator and lead wire (+)
Dielectric Strength	: Applied AC 500V for one minute or AC 600V for 2 Seconds between housing and lead wire (+)
Life Expectancy	: 60,000 Hours at 40°C, 65% humidity, 90% CL.

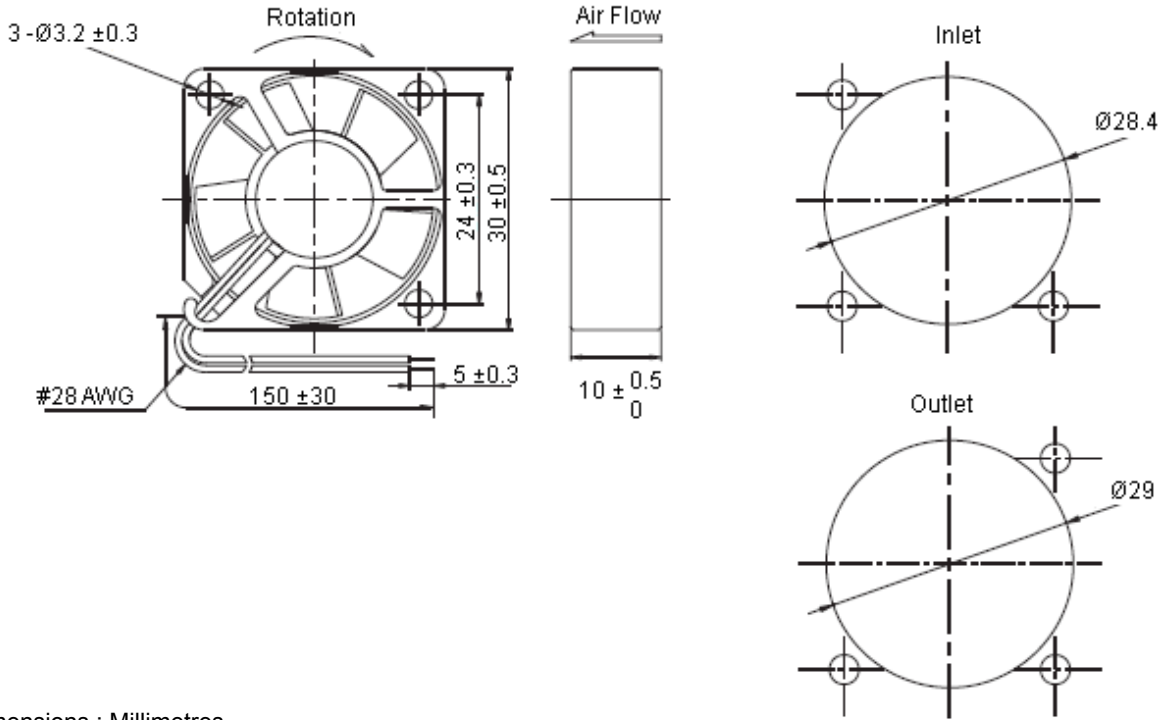
Performance Curves



Axial Fan



Dimensions:



Dimensions : Millimetres

Part Number Table

Description	Part Number
Axial Fan, 30mm, 4.6 CFM, 20 dBA	MC36311

Important Notice : This data sheet and its contents (the "Information") belong to the members of the Premier Farnell group of companies (the "Group") or are licensed to it. No licence is granted for the use of it other than for information purposes in connection with the products to which it relates. No licence of any intellectual property rights is granted. The Information is subject to change without notice and replaces all data sheets previously supplied. The Information supplied is believed to be accurate but the Group assumes no responsibility for its accuracy or completeness, any error in or omission from it or for any use made of it. Users of this data sheet should check for themselves the Information and the suitability of the products for their purpose and not make any assumptions based on information included or omitted. Liability for loss or damage resulting from any reliance on the Information or use of it (including liability resulting from negligence or where the Group was aware of the possibility of such loss or damage arising) is excluded. This will not operate to limit or restrict the Group's liability for death or personal injury resulting from its negligence. Multicomp is the registered trademark of the Group. © Premier Farnell plc 2012.

www.element14.com
www.farnell.com
www.newark.com

