

RoHS
Compliant



Specifications:

Electrical Characteristics:

Rated Current	1 In Minimum	2 In Maximum	3 In Maximum
0.2A to 5A	4 Hour	120 Second	3 Second

Environmental Temperature at 25°C

Interrupting Ratings:

0.2A to 1A : 50 amperes at 32V DC
1.25A to 5A : 35 amperes at 32V DC

Environmental Specifications:

Operating Temperature:

-55°C to +125°C

Thermal Shock:

MIL-STD-202G, Method 213, Condition 1 (100G's peak for 6 milliseconds)

Vibration:

MIL-STD-202G, Method 204, Test Condition C

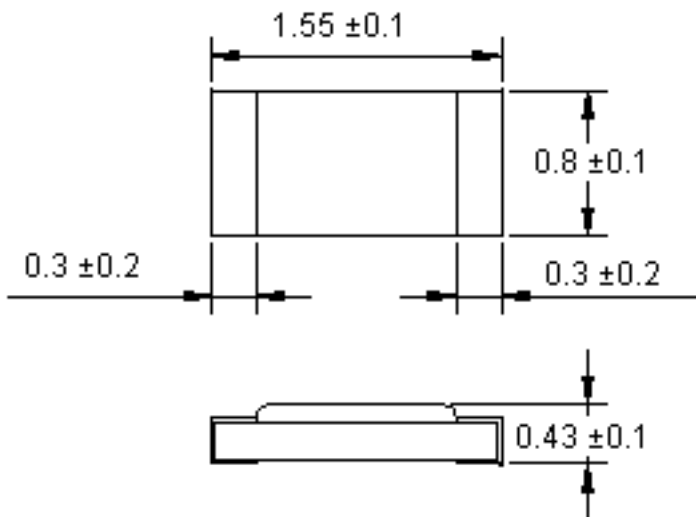
Moisture Resistance:

MIL-STD-202G, Method 106, 10 day cycle

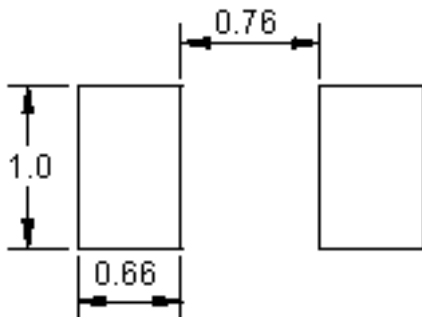
Materials:

Construction Body Material : Ceramic
Termination Material : Copper (Cu), Nickel (Ni), Tin (Sn)
Fuse Element : Copper (Cu), Tin (Sn)

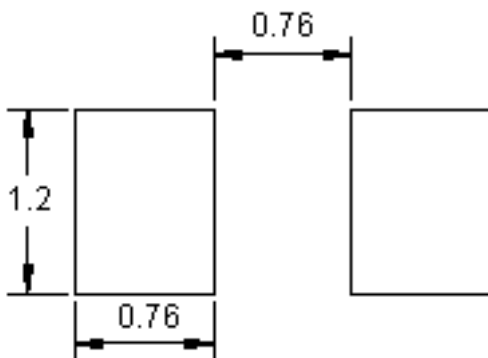
Dimensions



Recommended Land Pattern



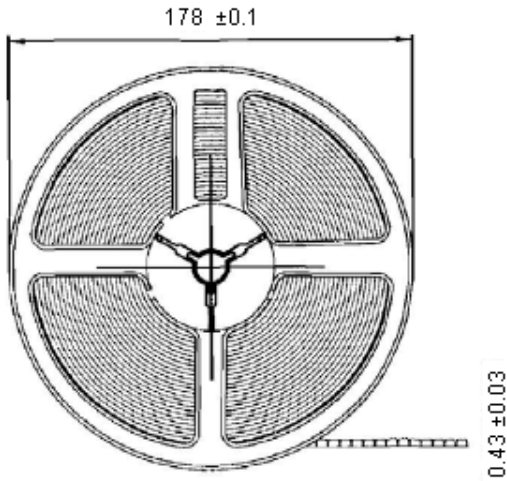
Reflow Solder



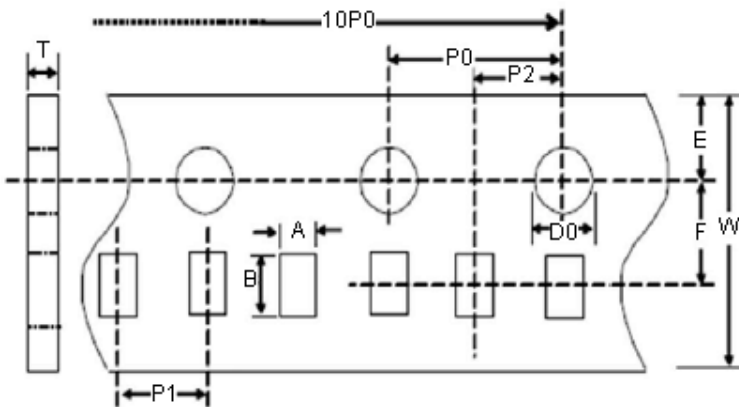
Waver Solder

Dimensions : Millimetres

Tape and Reel Specifications:



Dimensions : Millimetres



Dimensions : Millimetres

Item	A	B	W	E	F	P0	P1	P2	D0	T	10P0
Criterion	1.08	1.88	8	1.75	3.5	4	4	2	1.55	0.6	40
	0.02	0.02	0.1	0.05	0.05	0.05	0.05	0.05	0.05	0.03	0.1
	-0.03	-0.03	-0.1	-0.05	-0.05	-0.05	-0.05	-0.05	-0.05	-0.03	-0.1
Maximum	1.1	1.9	8.1	1.8	3.55	4.05	4.05	2.05	1.6	0.63	40.1
Minimum	1.05	1.85	7.9	1.7	3.45	3.95	3.95	1.95	1.5	0.57	39.9

Tape and Reel Quantity : 5000 pcs/reel.

Part Number Table

Description	Marking	Ampere Rating (In)	Voltage Rating (V)	Nominal Resistance Cold (Ω)	Nominal Melting I^2t A ² Second	Part Number
Fuse, SMD, 0603, 0.2A	C	200mA	32V	1.8	0.008	MC06CT.200
Fuse, SMD, 0603, 0.25A	D	250mA		1.3	0.018	MC06CT.250
Fuse, SMD, 0603, 0.375A	E	375mA		0.7	0.033	MC06CT.375
Fuse, SMD, 0603, 0.5A	F	500mA		0.35	0.062	MC06CT.500
Fuse, SMD, 0603, 0.75A	G	750mA		0.12	0.085	MC06CT 750
Fuse, SMD, 0603, 1A	H	1A	32V	0.09	0.115	MC06CT 001
Fuse, SMD, 0603, 1.25A	J	1.25A		0.06	0.143	MC06CT 1.25
Fuse, SMD, 0603, 1.5A	K	1.5A		0.04	0.178	MC06CT 1.50
Fuse, SMD, 0603, 1.75A	L	1.75A		0.032	0.202	MC06CT 1.75
Fuse, SMD, 0603, 2A	N	2A		0.029	0.254	MC06CT 002
Fuse, SMD, 0603, 2.5A	O	2.5A		0.02	0.307	MC06CT 2.50
Fuse, SMD, 0603, 3A	P	3A		0.016	0.388	MC06CT 003
Fuse, SMD, 0603, 3.5A	R	3.5A		0.014	0.558	MC06CT 3.50
Fuse, SMD, 0603, 4A	S	4A		0.01	0.633	MC06CT 004
Fuse, SMD, 0603, 5A	T	5A		0.008	0.895	MC06CT 005

Important Notice : This data sheet and its contents (the "Information") belong to the members of the Premier Farnell group of companies (the "Group") or are licensed to it. No licence is granted for the use of it other than for information purposes in connection with the products to which it relates. No licence of any intellectual property rights is granted. The Information is subject to change without notice and replaces all data sheets previously supplied. The Information supplied is believed to be accurate but the Group assumes no responsibility for its accuracy or completeness, any error in or omission from it or for any use made of it. Users of this data sheet should check for themselves the Information and the suitability of the products for their purpose and not make any assumptions based on information included or omitted. Liability for loss or damage resulting from any reliance on the Information or use of it (including liability resulting from negligence or where the Group was aware of the possibility of such loss or damage arising) is excluded. This will not operate to limit or restrict the Group's liability for death or personal injury resulting from its negligence. Multicomp is the registered trademark of the Group. © Premier Farnell plc 2012.