

RoHS  
Compliant

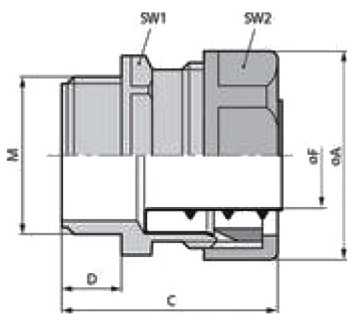


## Application:

The conduit gland SILVYN® USK-M is a proven safety conduit gland. The inner and outer sleeves of the gland can only be fitted in the correct sequence, a special safety factor. The TPE sealing ring provides a good seal. The increased width across flats means that the forces are safely transmitted during installation. The connection between conduit and machine is made by this vibration-resistant special gland to a great extent.

## Specifications:

For Use With : Conduit Gland SILVYN USK-M  
 Body Material : PP (Polypropylene)  
 Delivered Colour : RAL 7001, Silver Grey  
 Degree of Protection : IP 65  
 Temperature Range : -10°C to +110°C



| Part Number | Connection thread | Overall length C (mm) | Thread length D (mm) | Suitable for SILVYN® FD-PU/FPS |
|-------------|-------------------|-----------------------|----------------------|--------------------------------|
| 55501320    | M16 × 1.5         | 43                    | 12                   | 13 × 17                        |
| 55501330    | M20 × 1.5         | 44                    | 13                   | 16 × 21                        |
| 55501340    | M25 × 1.5         | 50                    | 13                   | 22 × 27                        |

## Part Number Table

| Description               | Clear opening (mm) | SW 1/2 (mm) | Suitable for SILVYN® FD-PU/FPS | Suitable for SILVYN®SP | Suitable for SILVYN® SP-PU | Pieces / VPE | Part Number |
|---------------------------|--------------------|-------------|--------------------------------|------------------------|----------------------------|--------------|-------------|
| Gland, Conduit, M16, PK10 | 13                 | 27 /24      | 13 x 17                        | 12 x 16                | 12 x 16                    | 50           | 55501320    |
| Gland, Conduit, M20, PK10 | 14.5               | 32 /29      | 16 x 21                        | 16 x 20                | 16 x 20                    | 50           | 55501330    |
| Gland, Conduit, M25, PK10 | 19.5               | 40 /36      | 22 x 27                        | 22 x 27                | 22 x 27                    | 25           | 55501340    |

**Important Notice** : This data sheet and its contents (the "Information") belong to the members of the Premier Farnell group of companies (the "Group") or are licensed to it. No licence is granted for the use of it other than for information purposes in connection with the products to which it relates. No licence of any intellectual property rights is granted. The Information is subject to change without notice and replaces all data sheets previously supplied. The Information supplied is believed to be accurate but the Group assumes no responsibility for its accuracy or completeness, any error in or omission from it or for any use made of it. Users of this data sheet should check for themselves the Information and the suitability of the products for their purpose and not make any assumptions based on information included or omitted. Liability for loss or damage resulting from any reliance on the Information or use of it (including liability resulting from negligence or where the Group was aware of the possibility of such loss or damage arising) is excluded. This will not operate to limit or restrict the Group's liability for death or personal injury resulting from its negligence. pro-ELEC is the registered trademark of the Group. © Premier Farnell plc 2012.