

Panel Mount Fuse Holder

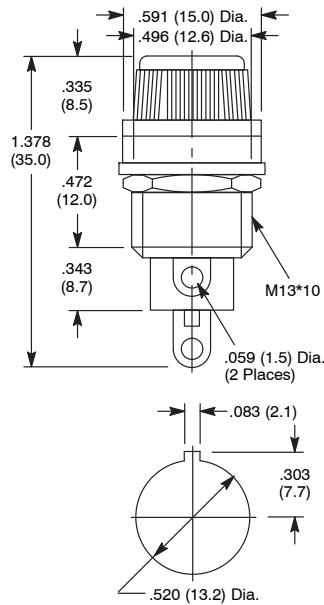


Specifications:

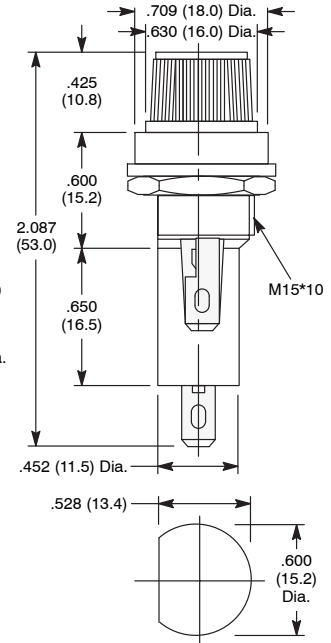
- Available in 2 Sizes:
Part No. 74-FH5 is for 5 x 20mm Fuses
Part No. 74-FH6 is for 6 x 30mm and 6.3 x 32mm Fuses
- Rating: 10A / 250VAC
- Finger-Grip Fuse Extractor Type Knob



FA-05 (74-FH5)



FA-06 (74-FH6)



In-Line Fuse Holder

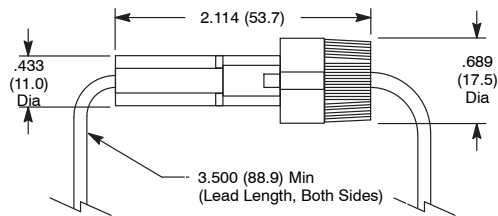


Specifications:

- Available in 2 Sizes:
Part No. 74-IFH5 is for 5 x 20mm Fuses
Part No. 74-IFH6 is for 6 x 30mm Fuses
- Rating:
74-IFH5: 15A / 250VAC / 32VDC
74-IFH6: 20A / 250VAC / 32VDC
- Red Wire Leads: 14AWG for the 74-IFH5 and 12AWG for the 74-IFH6
- Finger-Grip Fuse Extractor Type Knob



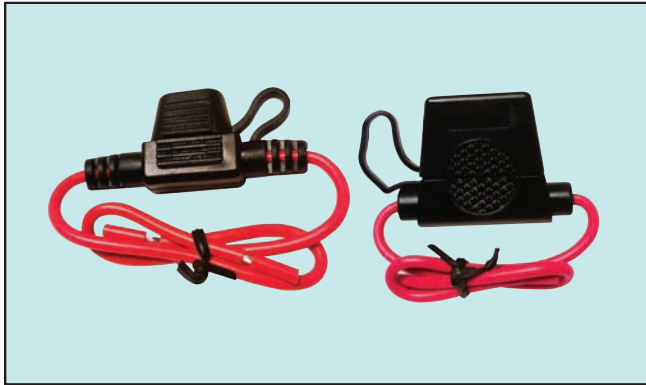
FA-07



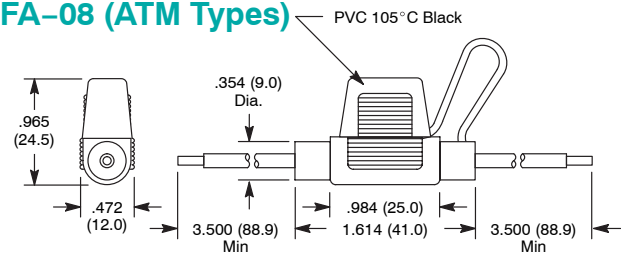
Auto In-Line Fuse Holder

Specifications:

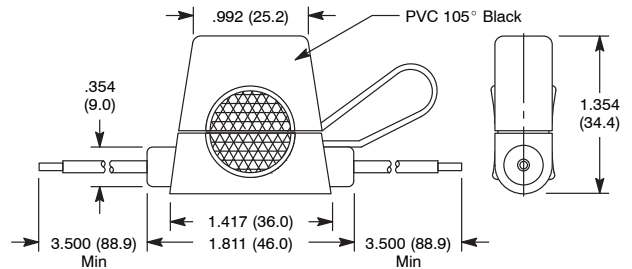
- Suitable for ATM & ATC Equivalent Blade Type Automotive Fuses
- Ratings and Ordering Numbers:
 - Part No. 74-IFHMA15 is for ATM type fuses up to 15A
 - Part No. 74-IFHMA30 is for ATM type fuses up to 30A
 - Part No. 74-IFHA15 is for ATC type fuses up to 15A
 - Part No. 74-IFHA30 is for ATC type fuses up to 30A
- All Types Rated up to 32VDC
- Body Material: PVC (Max. Temperature +105°C)
- Red Wire Leads: 16 AWG for 15A Versions & 12 AWG for 30A Versions



FA-08 (ATM Types)



FA-10 (ATC Types)



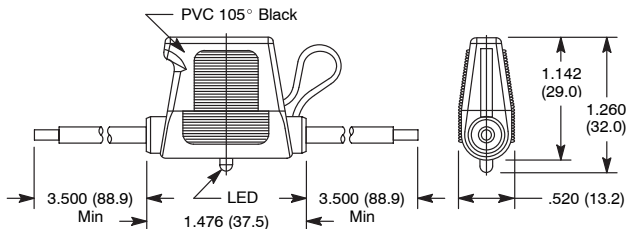
Auto In-Line Fuse Holder w/LED Warning Light

Specifications:

- Suitable for ATM & ATC Equivalent Blade Type Automotive Fuses
- LED Warning Light when Fuse is Blown
- Waterproof
- Ratings and Ordering Numbers:
 - Part No. 74-IFHMAL15 is for ATM type fuses up to 15A
 - Part No. 74-IFHMAL30 is for ATM type fuses up to 30A
 - Part No. 74-IFHAL15 is for ATC type fuses up to 15A
 - Part No. 74-IFHAL30 is for ATC type fuses up to 30A
- All Types Rated up to 12/24VDC
- Body Material: PVC (Max. Temperature +105°C)
- Red Wire Leads: 16 AWG for 15A Versions & 12 AWG for 30A Versions
- Non-Polarity Limited



FA-09 (ATM Types)



FA-11 (ATC Types)

