

# D-Sub Connector Cover

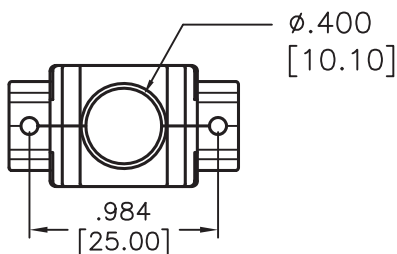


**RoHS  
Compliant**

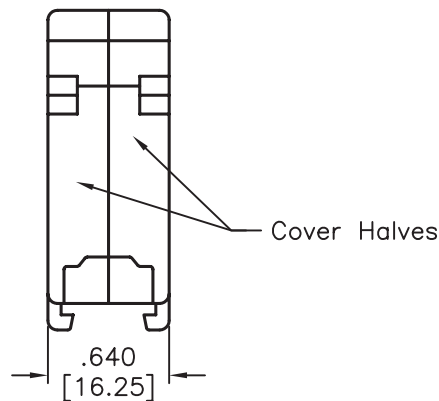
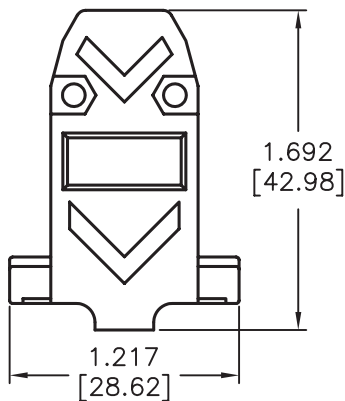


## Specifications

Series	: Deluxe
D-Sub Shell Size	: DE
Connector Body Material	: ABS
Cable Exit Angle	: 180°
Accessory Type	: D-Sub Cover
Body Material	: Metalized-Plastic
Connector Shell Size	: DE



Cover Material:  
ABS Compound  
Nickel Plated



#4-40 × 7/6", Fillister Head Machine  
Screw, C1018 Steel, Zinc Plated  
(Hexavalent Chromium Free)  
(2 pcs)

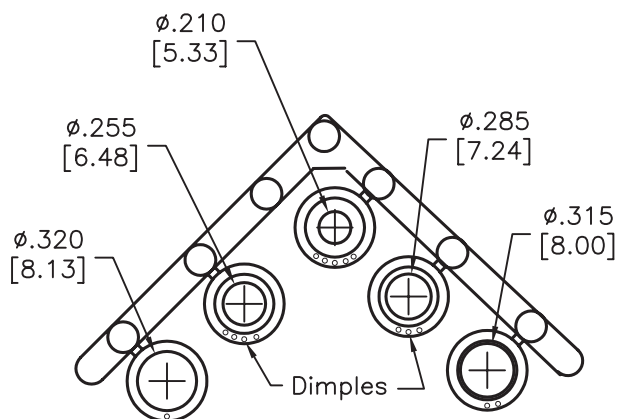


#4-40, #2 Blank Hex Nut,  
C1010 Steel, Zinc Plated  
(Hexavalent Chromium Free)  
(2 pcs)

Dimensions : Inches (Millimetres)



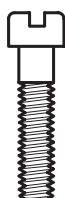
# D-Sub Connector Cover



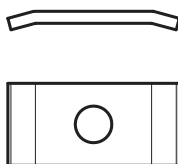
Compression Inserts  
 Material: Thermoplastic  
 Colour: Black  
 Durometer:  $75 \pm 5$  Type A Per ASTM D2240



Dimensions : Inches (Millimetres)



#4-40 x 1/2", Fillister Head Captive  
 Screw, C1018 Steel, Zinc Plated  
 (Hexavalent Chromium Free)  
 (2 pcs)



#4 Saddle Washer, C.R.Steel,  
 Zinc Plated  
 (Hexavalent Chromium Free)  
 (2 pcs)

## Part Number Table

Description	Part Number
D-Sub Cover, 9 Pin, Metalized Plastic	SPC14987

**Important Notice :** This data sheet and its contents (the "Information") belong to the members of the Premier Farnell group of companies (the "Group") or are licensed to it. No licence is granted for the use of it other than for information purposes in connection with the products to which it relates. No licence of any intellectual property rights is granted. The Information is subject to change without notice and replaces all data sheets previously supplied. The Information supplied is believed to be accurate but the Group assumes no responsibility for its accuracy or completeness, any error in or omission from it or for any use made of it. Users of this data sheet should check for themselves the Information and the suitability of the products for their purpose and not make any assumptions based on information included or omitted. Liability for loss or damage resulting from any reliance on the Information or use of it (including liability resulting from negligence or where the Group was aware of the possibility of such loss or damage arising) is excluded. This will not operate to limit or restrict the Group's liability for death or personal injury resulting from its negligence. Multicomp is the registered trademark of the Group. © Premier Farnell plc 2012.

