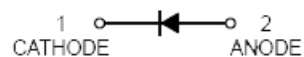


# Schottky Barrier Diode



SOD-123

## Features:

- Low Forward Voltage Drop
- Guard Ring Construction for Transient Protection
- Negligible Reverse Recovery Time
- Low Reverse Capacitance

## Applications:

Schottky barrier switching

## Maximum Rating @ $T_A = 25^\circ\text{C}$ unless otherwise specified

Parameter	Symbol	SD103AW-13-F	SD103AW-7-F	Unit
Peak repetitive peak reverse voltage Working peak DC reverse voltage	$V_{RRM}$ $V_{RWM}$ $V_R$	40		V
RMS reverse voltage	$V_{R(RMS)}$	28		V
Forward continuous current	$I_F$	350		mA
Repetitive peak forward current @ $t < 1\text{s}$	$I_{FRM}$	1.5		A
Power dissipation	$P_D$	400		mW
Thermal resistance junction to ambient	$R_{\theta jA}$	300		$^\circ\text{C/W}$
Storage temperature	$T_{stg}$	-65 to +125		$^\circ\text{C}$



# Schottky Barrier Diode



## Electrical Characteristics @ $T_A = 25^\circ\text{C}$ unless otherwise specified

Parameter	Symbol	Min.	Typ.	Max.	Unit	Conditions
Reverse breakdown voltage	$V_{(BR)R}$	40			V	$I_R = 10\mu\text{A}$
Forward voltage	$V_F$			0.37 0.6	V	$I_F = 20\text{mA}$ $I_F = 200\text{mA}$
Reverse current	$I_{RM}$			5	$\mu\text{A}$	$V_R = 30\text{V}$
Capacitance between terminals	$C_T$		50		pF	$V_R = 0, f = 1\text{MHz}$
Reverse recovery time	$t_{rr}$		10		ns	$I_R = I_F = 200\text{mA}$ $I_{rr} = 0.1 * I_R, R_L = 100\Omega$

## Typical Characteristics @ $T_A = 25^\circ\text{C}$ unless otherwise specified

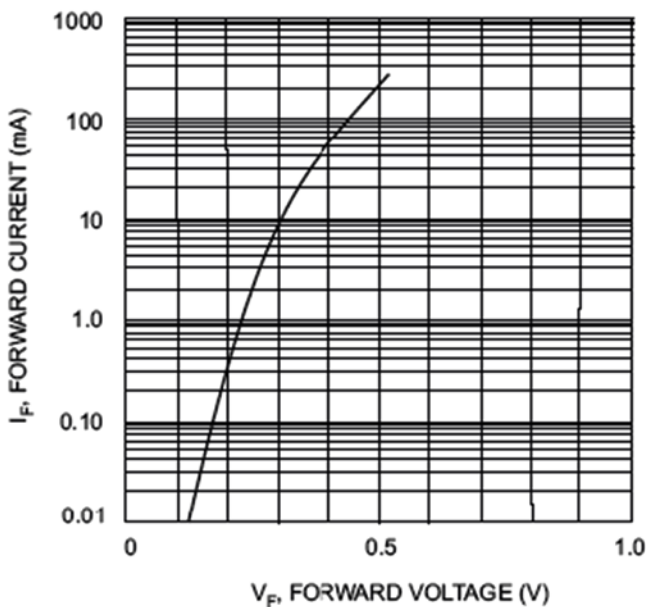


Fig. 1 Typical Forward Characteristics

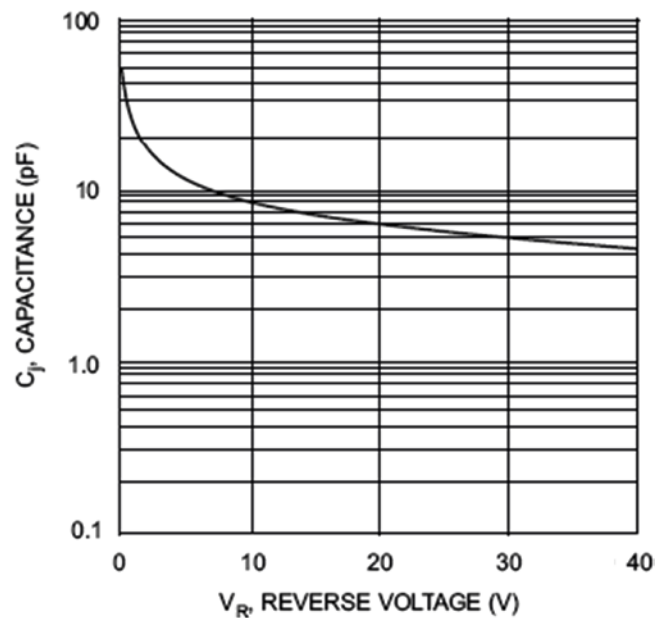


Fig. 2 Typ. Junction Capacitance vs Reverse Voltage

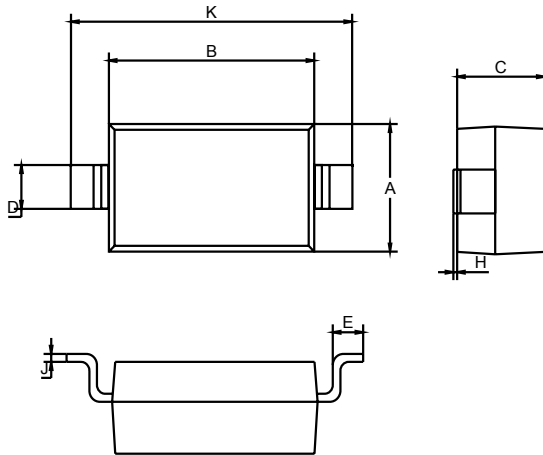


# Schottky Barrier Diode



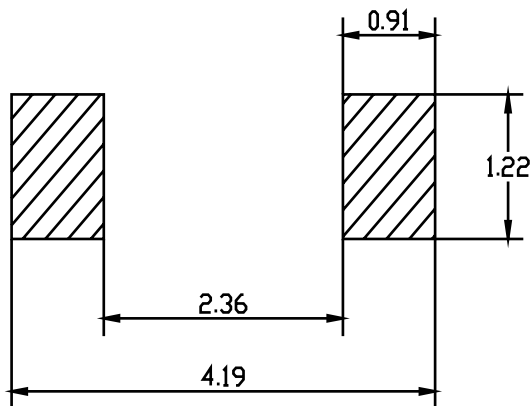
## Package Outline

Plastic surface mounted package



SOD-123		
Dim	MinM	ax
A	1.41	.8
B2	.55	2.85
C1	.15 Typical	
D	0.50	.6
E0	.3	0.4
H	0.02 0	.10
J0	.1 Typical	
K 3	.55	3.85
All Dimensions in mm		

## Soldering Footprint



Dimensions : Millimetres

## Package Information

Device	Package	Shipping
SD103AW-13-F SD103AW-7-F	SOD-123	3,000/Tape & Reel

## Part Number Table

Description	Part Number
Schottky Barrier Diode	SD103AW-13-F
	SD103AW-7-F

**Important Notice :** This data sheet and its contents (the "Information") belong to the members of the Premier Farnell group of companies (the "Group") or are licensed to it. No licence is granted for the use of it other than for information purposes in connection with the products to which it relates. No licence of any intellectual property rights is granted. The Information is subject to change without notice and replaces all data sheets previously supplied. The Information supplied is believed to be accurate but the Group assumes no responsibility for its accuracy or completeness, any error in or omission from it or for any use made of it. Users of this data sheet should check for themselves the Information and the suitability of the products for their purpose and not make any assumptions based on information included or omitted. Liability for loss or damage resulting from any reliance on the Information or use of it (including liability resulting from negligence or where the Group was aware of the possibility of such loss or damage arising) is excluded. This will not operate to limit or restrict the Group's liability for death or personal injury resulting from its negligence. Multicomp is the registered trademark of the Group. © Premier Farnell plc 2012.

