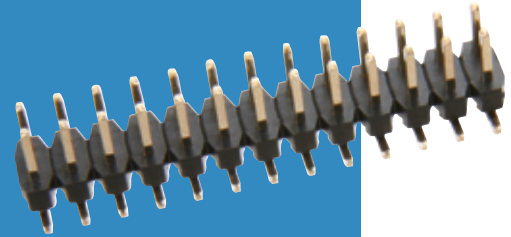


M22 Connectors

Male Vertical Surface Mount

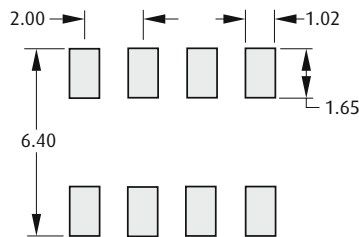
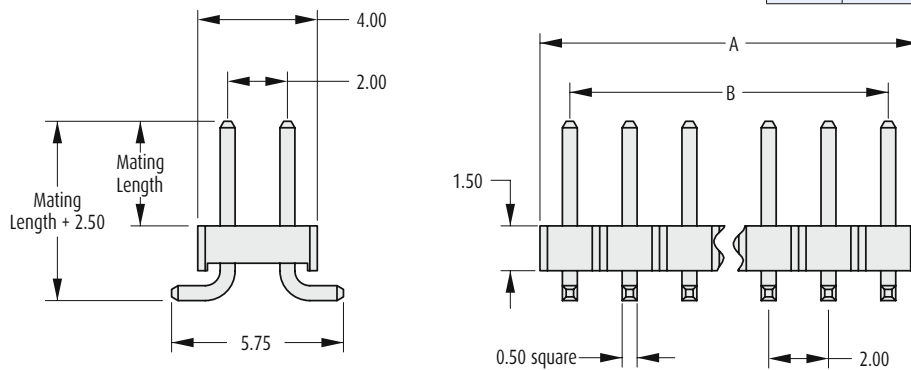
- ❖ Suitable for use with female PCB connectors and jumper sockets shown on pages 125 to 127. M22-552 also suitable for use with female crimp connectors shown on page 128.
- ❖ Pin headers can be cut into smaller sizes.
- ❖ For alternative pin lengths see pin header variants on page 134.



DOUBLE ROW

CALCULATION

A	2.00 x No. of contacts per row
B	2.00 x (No. of contacts per row - 1)



Recommended PC Board Pattern

HOW TO ORDER

M22 - 5 X 2 XX XX X

SERIES CODE

TYPE

3	3.50mm Mating Length
5	4.20mm Mating Length

NO. OF CONTACTS PER ROW

02 to 25

PACKAGING

Blank	Loose
P	Pick & Place Cap, Tube
R	Tape & Reeled

FINISH

05	Gold	PG
46	Tin	PG

All dimensions in mm.

2mm (.079") PITCH