

80 mm sq.

San Ace 80

20mm thick (GA type)
 32mm thick (GA type)
 38mm thick (GA type)



General Specifications With a pulse sensor Specifications for pulse sensors ⇔ Refer to Page 309

With PWM speed control function ⇔ Refer to Page 311

- Material Frame: Plastics (Flammability: UL94V-0),
 Impeller: Plastics (Flammability: UL94V-0)
- Expected Life Varies for each model (L10: Survival rate: 90% at 60°C ,
 rated voltage, and continuously run in a free air state)
- Lead Wire ⊕red ⊖black (Sensor) yellow (Control) brown
- Storage Temperature -30°C to +70°C (Non-condensing)

80×80×32mm (Mass : 130g) **GA type** **High air flow**

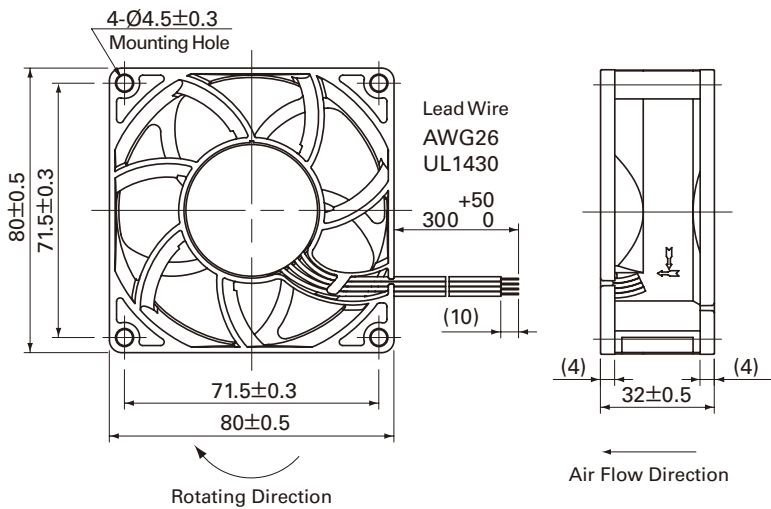
Specifications To order a ribless type, replace the last digits of a model number with digits in parenthesis.

Model No.	Rated Voltage [V]	Operating Voltage Range [V]	PWM duty cycle* [%]	Rated Current [A]	Rated Input [W]	Rated Speed [min ⁻¹]	Max. Air Flow [m ³ /min] [CFM]	Max. Static Pressure [Pa] [inchH ₂ O]	SPL [dB(A)]	Operating Temperature [°C]	Expected Life [h]
9GA0812P2S001(0011)	12	10.2 to 13.8	100	0.83	9.96	9,700	2.45 86.5	360 1.45	57	-10 to +70	40,000
			0	0.08	0.96	2,800	0.71 25.1	30 0.12	24		
100			0.59	7.08	8,700	2.20 77.7	294 1.18	54			
0			0.05	0.6	2,600	0.66 23.3	26 0.105	21			
9GA0812P2H001(0011)		10.2 to 12.6	100	0.35	4.2	6,700	1.69 59.6	171 0.68	47	-10 ~ +55	
			0	0.04	0.48	1,400	0.35 12.3	7.5 0.03	10		
9GA0812P2M001(0011)	24	20.4 to 27.6	100	0.42	10.1	9,700	2.45 86.5	360 1.45	57	-10 to +70	
			0	0.05	1.2	2,800	0.71 25.1	30 0.12	24		

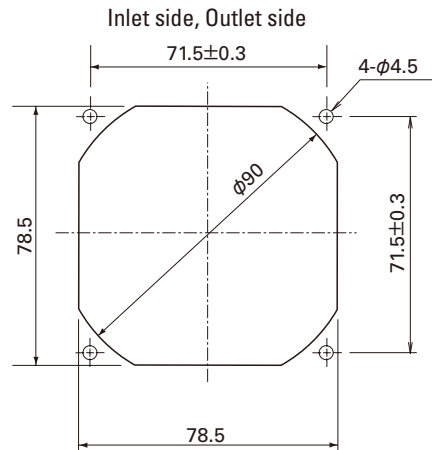
※PWM Frequency : 25kHz

Without Sensor **Pulse Sensor** **PWM Control** Available upon request for all the models above.

Dimensions (Unit : mm) (With ribs)



Reference dimension of mounting holes and vent opening (Unit : mm)

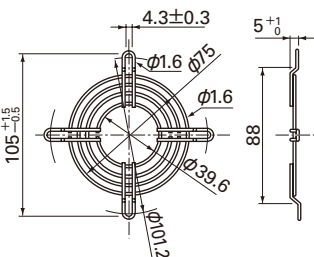


Options (Unit : mm)

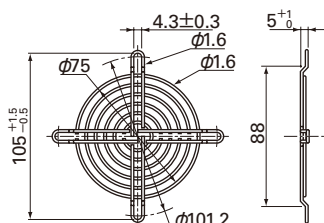
Finger guards

Model : 109-049C Surface treatment : Nickel-chrome plating (silver) Color : Silver
 Model : 109-049E Surface treatment : Nickel-chrome plating (silver) Color : Silver
 : 109-049H : Cation electropainting (black) Color : Black

Outlet side



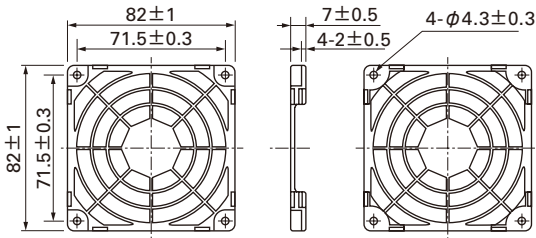
Inlet side, Outlet side



Options (Unit : mm)

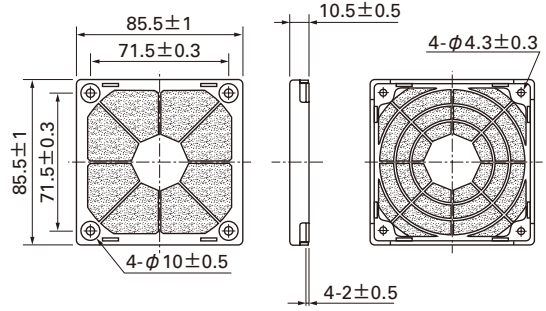
Resin finger guards

Model : 109-1002G



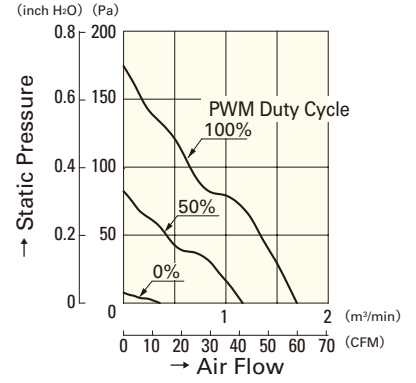
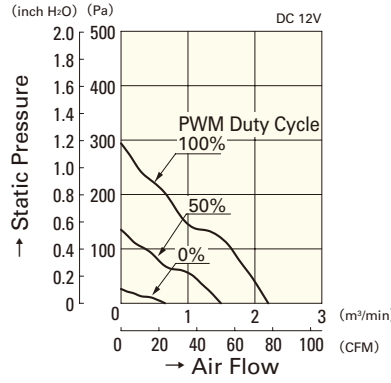
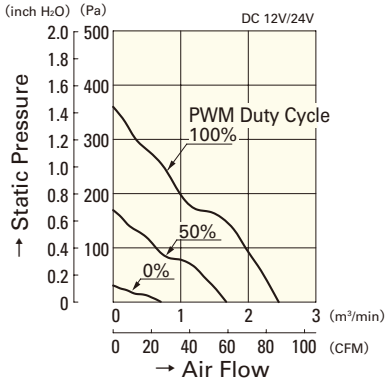
Resin filter kits

Model : 109-1002F13 (13PPI), 109-1002F20 (20PPI)
: 109-1002F30 (30PPI), 109-1002F40 (40PPI)



Air Flow - Static Pressure Characteristics

PWM Duty Cycle



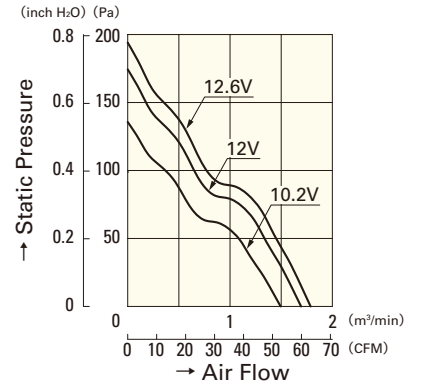
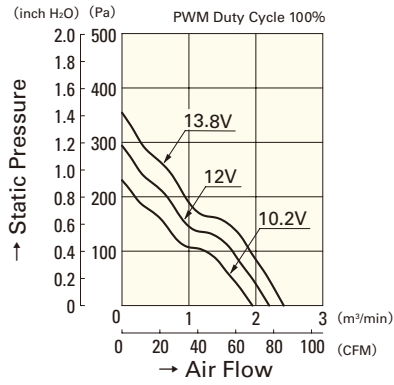
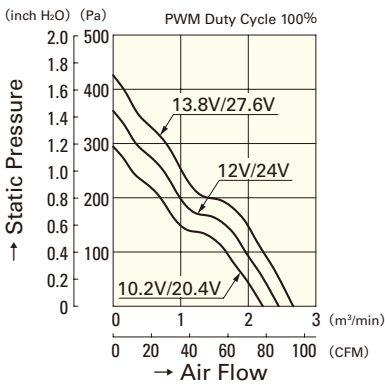
9GA0812P2S001(0011)

9GA0824P2S001(0011)

9GA0812P2H001(0011)

9GA0812P2M001(0011)

Operating Voltage Range



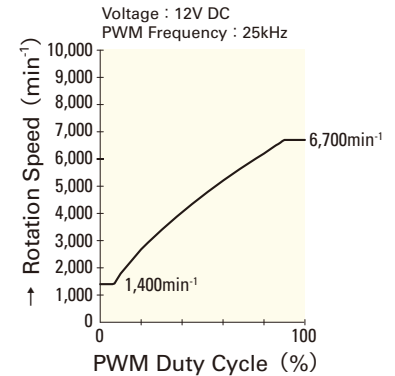
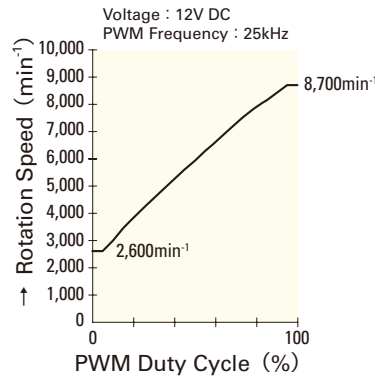
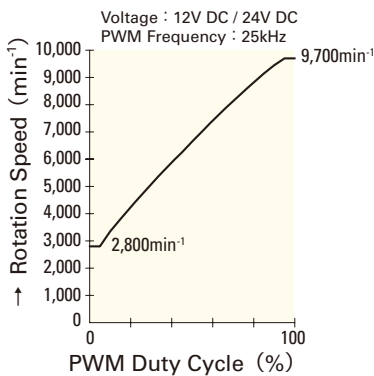
9GA0812P2S001(0011)

9GA0824P2S001(0011)

9GA0812P2H001(0011)

9GA0812P2M001(0011)

PWM Duty - Speed Characteristics Example



9GA0812P2S001(0011)

9GA0824P2S001(0011)

9GA0812P2H001(0011)

9GA0812P2M001(0011)