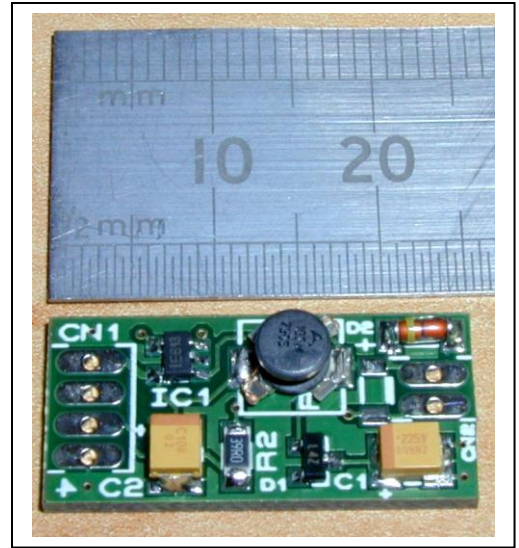


LEDV1

LEDV1 is a small board designed to drive the LED back light of various LCD displays.

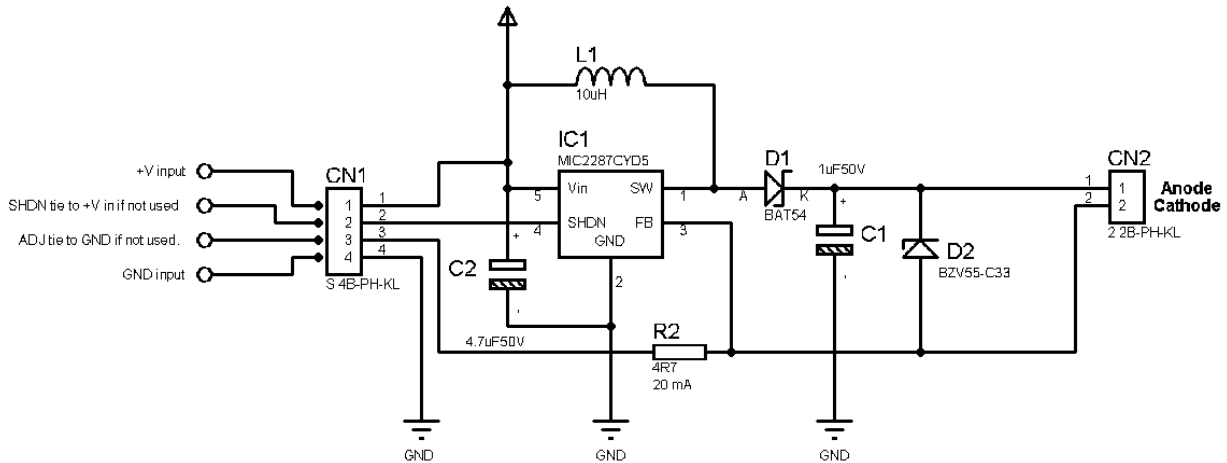
FEATURES

- High Output Voltage: Up to 33V.
- Optimized for Single Supply, typically 3.3v to 10v (12.0v max).
- High Efficiency: Greater Than 80%.
- Dimensions 25 x 12 x 5 mm.



CN1 input connector. 4 way 2mm pitch.	Description
1	+V Input 3.3v to 10V (12V Max)
2	SHDN High to turn on. Low to shut down.
3	ADJ Brightness adjustment via resistor to ground.
4	GND Ground Input.

CN2 output connector. 2 way 2mm pitch.	Description
1	A LED Anode connection +.
2	K LED cathode connection -.



Notes:

- 1) Current can be set by setting R2 resistance to ground. $I = 0.095/R2$.
4R7 = 20mA (Default)
- 2) D2 is a 33V zener used to restrict the output voltage if the output connector is open circuit.
- 3) Please refer to the MICREL MIC2287C specification for more details.