

Contents

Fibox Enclosing innovations	2
Fibox web services	3
Enclosure selection guide	4
Fibox quality; NEMA/UL classifications of protection	6
IP/IK classifications	7
How to select the right enclosure material	8
Fibox enclosure gaskets offer best protection	10
Customizing services	11



Fibox MNX

FIBOX MNX	100 x 100 x 35 mm - 360 x 255 x 150 mm	13
Polycarbonate and ABS enclosures		

FIBOX DG	280 x 190 x 111 mm	39
Polycarbonate and ABS enclosures		

FIBOX TEMPO	187 x 122 x 90 mm - 344 x 289 x 117 mm	43
ABS enclosures		

FIBOX PICCOLO	110 x 80 x 65 - 230 x 140 x 125 mm	51
Polycarbonate and ABS enclosures		

FIBOX EURONORD	50 x 45 x 32 - 310 x 600 x 180 mm	59
Polycarbonate and ABS enclosures		
Aluminium enclosures		
Polyester enclosures		



Fibox EURONORD

FIBOX SOLID	188 x 188 x 130 - 558 x 378 x 180 mm	117
Polycarbonate and ABS enclosures		

FIBOX MCE	200 x 116 x 105 - 580 x 306 x 105 mm	129
Modular polycarbonate enclosures		

FIBOX EK	190 x 190 x 130 - 760 x 560 x 250 mm	137
Polycarbonate enclosures		



Fibox TEMPO

FIBOX CAB	150 x 150 x 110 - 1000 x 800 x 300 mm	151
Polycarbonate cabinets		
ABS cabinets		
Polyester cabinets		

FIBOX QUICK	300 x 200 x 170 - 600 x 400 x 270 mm	169
Polycarbonate and ABS enclosures		

FIBOX SPACE LINK	200 x 300 x 170 - 600 x 400 x 270 mm	179
Polycarbonate enclosures		



Fibox EK

FIBOX CARDMASTER	160 x 166 x 78 - 316 x 363 x 156 mm	191
Polycarbonate and ABS enclosures		

ATEX APPROVED ENCLOSURES		201
ALX aluminium enclosures	45 x 50 x 32 - 162 x 263 x 91 mm	
FEX polycarbonate enclosures	188 x 188 x 130 - 558 x 378 x 180 mm	
PEX polyester enclosures	75 x 80 x 55 - 405 x 400 x 120 mm	

FIBOX CABLE MANAGEMENT		207
Cable gland plates		
Cable entries and cable glands		

FIBOX GENERAL ACCESSORIES		211
Inspection windows		
Ventilation devices		



Fibox CAB

Enclosure index		215
------------------------	--	------------

FIBOX – Enclosing innovations

Innovation is defined as something newly introduced. Perhaps it is a new method, an improved solution, a new design, or an entirely new device. Whatever your innovation, it represents a change for the better, and as always, it is the result of both your inspiration and your hard work.

At Fibox, we appreciate your effort and match it with our own. Fibox is the leading innovator in developing enclosure solutions to protect your electrical and electronic designs from hostile environments. Simply put, we enclosure your innovations.

40 YEARS EXPERIENCE

In 1966, Fibox introduced the first modular enclosure injection moulded from polycarbonate plastic. These enclosures began a new era in electrical panel building. From the beginning, a commitment to innovation resulted in continuous product improvement, resulting in more than 20 patents. Our on-going product development has fuelled the dramatic and rapid growth of Fibox.

Whatever your application, the Fibox enclosure product family features the widest range of high quality enclosures for the packaging and protection of electrical and electronic components and systems. Fibox offers over 1000 enclosure variations. Enclosures can be delivered in standard off-the-shelf configurations, or customized to your exact specification. For higher volume OEM's, Fibox offers custom moulds and contract manufacturing.

TECHNICAL INNOVATION

Fibox is the industry leader in developing both new products and new technologies for injection moulding thermoplastic enclosures. At Fibox, we consider moulding technology a key element contributing to product improvement. For example, the Fibox MNX enclosure series features 2 component moulding technology to insure a precision-formed TPE gasket that guarantees superior ingress protection ratings. Fibox was first to introduce this innovation, and continues as the only producer applying this technology to electrical enclosures.

A further example is our emphasis on multiple slide technology for mould construction. While more complex and costly, this type of mould provides our OEM customers with cost-effective alternatives for modifying standard enclosures to meet their specific needs.

But beyond technology, our success depends upon understanding the requirements of our customers and the value they place upon our contributions to their success. We know our customers derive the inspiration for their innovations by listening to and understanding the needs of their customers. Thus, our products are designed in close cooperation with our customers and we value the input of our global customer base to produce new enclosure solutions, useful functional accessories and on-going product innovations.

More information

**e-mail: info@fibox.fi, sales@fibox.co.uk
www.fibox.com**

FIBOX's policy is to continually improve its products.
Specifications in this Enclosure Catalogue are subject to change without further notice.

FIBOX web services

Always up-to-date

Please visit www.fibox.com regularly to find out the latest developments from the Fibox team. Fibox is continuously launching new products and improving services in the pursuit of helping its customers to succeed. Fibox prides itself in supplying high quality products with excellent service. Besides orders shipped correctly and on time, excellent service also means providing an extensive package of design aids and technical information about Fibox products and services.

Engineering assistance

Selecting the right enclosure for your application is made easier with clear, easily accessible technical and engineering data. At www.fibox.com you can obtain detailed technical information about enclosures including photos, raw material specifications, dimensional drawings and CAD files. Additionally, Fibox also offers copies of regulatory agency approvals and certificates in pdf format.

CAD drawings

Fibox supports engineers, designers and buyers with full CAD drawings either in 2D or 3D formats. Engineering time and costs can significantly be reduced by using easily accessible Fibox 3D models, which are widely used globally. All CAD files can be downloaded at www.fibox.com.

Download catalogues and leaflets

At www.fibox.com you find a variety of brochures and catalogues in pdf format. Please visit our web site at www.fibox.com to download the latest catalogues and leaflets.

Around the world

As a global company Fibox has currently full web services in Chinese, Danish, Dutch, English, Finnish, French, German, Japanese, Korean, Polish, Russian and Swedish.

Let us know how we can improve

Please give us feedback. Contact us via www.fibox.com or email at info@fibox.fi. We are committed to improve our service to you. Please help us by sharing your opinions to make Fibox World even better.



www.fibox.com

Guide for selecting the right FIBOX enclosure

	Enclosure family													
	MNX		DG		TEMPO	PICCOLO		EURONORD				SOLID		MCE
Material	PC	ABS	PC	ABS	ABS	PC	ABS	PC	ABS	AL	GRP	PC	ABS	PC
Pages	13 - 38		39 - 42		43 - 50	51 - 58		59 - 116				117 - 128		129 - 139
Number of versions	168	98	2	1	10	22	22	87	46	31	12	48	48	8
Size min (mm)	100x100x35		280x190x111		187x122x90	110x80x65		50x45x32				188x188x130		200x116x105
Size max (mm)	360x255x150		280x190x111		344x289x117	230x140x125		310x600x180				558x378x180		580x306x145
IP rating	IP 66/67	IP 66/67	IP 66/67 IP 65(M)	IP 66/67	IP 65	IP 66/67	IP 66/67	IP 66/67	IP 66/67	IP 66/67	IP 66/67	IP 66/67	IP 66/67	IP 65
IK rating	IK 08	IK 07	IK 08	IK 07	IK 07	IK 08	IK 07	IK 08	IK 07	IK 08	IK 08	IK 08	IK 08	IK 08
Enclosure flammability rating	UL94-5V	UL94HB	UL94-5V	UL94HB	UL94HB	UL94-5V	UL94HB	UL94-5V	UL94HB		UL94-5V	UL94-5V	UL94HB	UL94-5V
ATEX-certified enclosures														
Electronics enclosures	■	■	■	■	■	■	■	■	■	■	■	■	■	■
Industrial enclosures	■	■	■	■	■	■	■	■	■	■	■	■	■	■
Instrumentation enclosures	■	■	■	■	■	■	■	■	■	■	■			
Modular enclosures														■
Outdoor enclosures	■		■			■		■		■	■	■		■
Power distribution enclosures														■
Terminal enclosures	■	■	■	■	■	■	■	■	■	■	■	■	■	
UL- enclosures	■					■		■				■		■
Wall mounting cabinets												■	■	■

- PC = polycarbonate
- ABS = acrylnitrile-butadiene-styrene
- AL = aluminium
- GRP = glass fibre reinforced polyester

Enclosure family

	EK		CAB			QUICK		SPACE LINK		CARDMASTER		ALX	FEX-PC-7	PEX
	PC	PC	ABS	GRP	PC	ABS	PC	PC	ABS	AL	PC	GRP		
	137 - 150	151 - 168			169 - 178		179 - 190	191 - 200		202	203	204		
	97	28	28	7	16	14	28	26	18	13	24	12		
	190x190x130	150x150x110			300x200x170		200x300x170	160x166x78		45x50x32	188x188x130	75x80x55		
	760x560x250	1000x800x300			600x400x270		600x400x270	316x363x156		600x310x180	558x378x180	405x400x120		
	IP 66/67	IP 65	IP 65	IP 66	IP 66/67	IP 66/67	IP 65	IP 65	IP 65	IP 66	IP 66	IP 66/67		
	IK 08	IK 08	IK 08	IK 10	IK 08	IK 08	IK 08	IK 08/07	IK 07	IK 08	IK 08	IK 08		
	UL94-5V	UL94-5V	UL94HB	UL94HB	UL94-5V	UL94HB	UL94-5V	UL94-5V	UL94HB		UL94-5V	UL94-5V		
										■	■	■		
	■				■	■			■					
	■	■	■	■	■	■	■	■	■					
		■	■					■	■					
	■						■							
	■	■		■	■		■	■		■	■	■		
	■						■							
										■	■	■		
	■	■			■		■	■						
		■	■	■	■	■	■							

FIBOX quality creates customer advantage

Fibox has developed a sophisticated quality system to assure our customers of the reliability and consistency of our products and our service. All aspects of our operations, from design and development through to production and product delivery, are documented to ensure superior performance. Performance you can rely on.

Fibox is an ISO 9001 certified manufacturer and was awarded its certificate by Bureau Veritas Quality International in 1992. This approval covers specifications defined by ISO 9001:2000.



The FIBOX QUALITY system

The Fibox quality system applies not only to product quality and safety, but availability of product, accuracy of shipments, technical support and customer service. The continued success of this programme is assured by regular internal and independent external audits.

NEMA/UL classification of protection

The National Electrical Manufacturers Association (NEMA) is a US Manufacturers Organisation which actively promotes standardised product specifications for electrical apparatus.
























NEMA performance criteria and test methods are used by Underwriters Laboratories as guidelines for investigation and listing of electrical enclosures.

Approximate IP equivalents in parentheses	
Nema	
1	Indoor use primarily to provide a degree of protection against contact with the enclosed equipment and against a limited amount of falling dirt. (IP30)
2	Indoor use to provide a degree of protection against limited amounts of falling water and dirt. (IP31)
3	Outdoor use to provide a degree of protection against wind blown dust, rain, and sleet; undamaged by the formation of ice on the enclosure. (IP64)
3R	Outdoor use to provide a degree of protection against falling rain and sleet; undamaged by the formation of ice on the enclosure. (IP32)
3S	Outdoor use to provide a degree of protection against windblown dust, rain and sleet; external mechanisms remain operable while ice laden.
4	Indoor or outdoor use to provide a degree of protection against splashing water, windblown dust and rain, hose directed water; undamaged by the formation of ice on the enclosure. (IP66)
4X	Indoor or outdoor use to provide a degree of protection against splashing water, windblown dust and rain, hose directed water; undamaged by the formation of ice on the enclosure, resists corrosion. (IP66)
6	Indoor or outdoor use to provide a degree of protection against the entry of water during temporary submersion at a limited depth; undamaged by the formation of ice on the enclosure.
6P	Indoor and outdoor use to provide a degree of protection against the entry of water during prolonged submersion at a limited depth.
11	Indoor use to provide by oil immersion a degree of protection of the enclosed equipment against the corrosive effects of corrosive liquids and gases.
12, 12K	Indoor use to provide a degree of protection against dust, falling dirt and dripping non-corrosive liquids. (IP65)
13	Indoor use to provide a degree of protection against dust and spraying of water, oil and non-corrosive coolants. (IP65)

The IP and IK classifications

Ingress protection class of enclosures is given in the form of IP classification, a two digit coding which is shown below. Fibox has tested the enclosures according to EN 60529. The standard requires the second digit to be tested from class 6 upwards separately to each level of class, thus the double marking IP 66 / IP 67 indicates that the actual tests have been made for both levels.

The new European standard for empty enclosures, EN 62208 includes the IK impact test too. This test is described in EN 50102, and as Fibox enclosures are tested to EN 62208, the data for impact resistance will be available as well.

FIRST DIGIT Protection against solid objects		SECOND DIGIT Protection against liquids		IK CODE Protection against mechanical impacts	
IP	TEST	IP	TEST	IK	TEST
0	 no protection	0	 no protection	00	 no protection
1	 protected against solid objects up to 50 mm e.g. to 50 mm e.g. hands	1	 protected against vertically falling drops of water	01-05	 impact < 1 joule
2	 protected against solid objects up to 12 mm e.g. fingers	2	 protected against direct sprays of water up to 15° from the vertical	06	 500 g 20 cm impact 1 joule
3	 protected against solid objects over 2,5 mm (tools+ small wires)	3	 protected against water sprayed from all directions - limited ingress permitted	07	 500 g 40 cm impact 2 joule
4	 protected against solid objects over 1 mm (tools+ small wires)	4	 protected against water sprayed from all directions - limited ingress permitted	08	 1,7 kg 29,5 cm impact 5 joule
5	 protected against dust - limited ingress permitted (no harmful deposit)	5	 protected against low pressure jets of water from all directions - limited ingress permitted	09	 5 kg 20 cm impact 10 joule
6	 totally protected against dust	6	 protected against strong jets of water e.g. for use on shipdecks - limited ingress permitted	10	 5 kg 40 cm impact 20 joule
		7	 15 cm protected against the effects of immersion between 15 cm and 1 m		
		8	 1 m protected against long periods of immersion under pressure		

How to select the right enclosure material

Size is normally the first and the most dominant criterion when looking for the right enclosure for a specific application. Enclosure performance, i.e. material performance, is usually the second property considered. The following list of benefits and drawbacks indicates the basic differences between the various FIBOX enclosure materials.

Polycarbonate (PC)

Standard polycarbonate (PC) or Glass fibre reinforced (PC + GLAS)

Benefits:

- Very high impact resistance
- Also available in transparent form
- Easy machining with normal tools
- High IP rating
- Clean attractive finish
- Wide operating temperature range
- Self-extinguishing

- Good resistance to chemical attack
- Light weight
- Good UV resistance
- Excellent insulating properties
- Cost-effective material for harsh environments

Drawbacks:

- No EMC shielding

Acrylnitrile-butadiene-styrene (ABS)

Benefits:

- Easy machining with normal tools
- Easy colouring through pigmentation
- Low weight
- Good resistance to chemical attack
- Excellent insulating properties

Drawbacks:

- Slightly lower impact resistance compared with PC
- Slightly lower operating temperature range compared with PC
- Slightly lower UV resistance compared with PC. Recommended for outdoor use if protected against weather influences
- Not available in transparent form
- No EMC shielding

Aluminium (AL)

Benefits:

- Good resistance to chemical attack (painted)
- High impact resistance
- Wide operating temperature range
- Easy earthing
- EMC shielding. Note: to some extent already as standard enclosures
- Good heat sink properties
- Rigid construction

Drawbacks:

- More expensive than PC
- Heavier than PC and ABS
- Machining with special tools only

Glass fibre reinforced polyester (GRP)

Benefits:

- Excellent record of resistance to corrosion and chemical attack
- High impact resistance
- Rigid construction
- High weather resistance
- Wide operating temperature range
- Fire resistant
- Good insulating properties

Drawbacks:

- More expensive than PC
- Cannot be machined using standard tools
- No EMC shielding
- Heavier than other plastic enclosures

Comparison of materials

The following table gives a general idea of the properties of the various materials. For more detailed information on material performance in your specific application environment please consult your local FIBOX representative.

	PC	ABS	GRP ²⁾	AL ¹⁾	PA6	PS
Outdoor use	•••••	•	•••••	•••••	•••••	•
Indoor use	•••••	•••••	•••••	•••••	•••••	•••••
Cost	•••	•••••	•	•	••	•••••
Light weight	•••••	•••••	•••	•	•••••	•••••
High rigidity	•••	•	•••••	•••••	•••	•
Impact resistance	•••••	•••	•••••	•••••	•••	•
Chemical resistance						
Salt water environments	•••••	••	•••••	••••• ¹⁾	•••••	••
Neutral salts	•••••		•••••	••••• ¹⁾	•••••	•••••
Acids, low concentrations	•••••	•••••	•••••	••	•••••	•••••
Acids, high concentrations	•••	•	•••	•	•	•
Alkalis, low concentrations	•••	•••••	•••••	•	••	•••••
Alkalis, high concentrations	•	•••••	•••••	•	•	•••••
Petroleum	•••	•	•••••	•••••	•••••	•
Hydraulic oil	•••••	•••••	•••••	•••••	•••••	•••••
Alcohols	•••••	•••	•••••	•••••	•••••	•••
Solvents	•	•	•••••	•••••		•
Cooling fluids	•••	•••••	•••••	•••		•••••

••••• = Excellent

• = Poor

¹⁾ Polyester powder coated AISi cast aluminium

²⁾ Glass fibre reinforced

Data subject to change without notice.

FIBOX enclosure gaskets offer the best protection

Gasketing plays an essential role in enclosure protection. In the long run, the IP rating and its reliability depend mainly on the properties of the gasket used in the enclosure. Key performance factors of a gasket are its compression set and proper fit in the gasket groove. The best general purpose gasket material is polyurethane which has an exceptionally low compression set. When accurately injection foamed, the polyurethane gaskets stay tightly in the right place. And EPDM material provides the best protection against the most popular industrial chemicals. However, it is wise to check the effect of a chemical on each gasket material since the chemical resistance of gasket materials varies greatly.

In some cases the performance of an enclosure can be modified by changing its gasket. The degree of protection depends on the material and the cross-section profile of the gasket. When choosing gasket material, compare the elasticity properties of different materials and how these properties are affected by cold and heat, or by contact with various chemicals. An important factor is that both the enclosure and gasket must withstand the same chemicals in order to reach a safe resistivity.

FIBOX enclosures are well designed

The degree of ingress protection (IP) of an enclosure is mainly dependent on the properties of its gasket. Nevertheless, the gasket must also properly fit the enclosure. In addition to the cross-section profile of the gasket, there is the cross section of the gasket's contact with the surfaces of the enclosure bases and covers. If the cross-section structures and manufacturing accuracy of an enclosure are not top quality, the IP rating will remain low even when equipped with a good gasket. Naturally, all FIBOX enclosures are carefully designed and precision made. Using FIBOX enclosures, you only need to focus on the variances in gasket materials.

FIBOX enclosure gaskets are made of PUR, EPDM, neoprene and silicon materials. Table 1 includes some commonly used physical properties of the gaskets. Note that the chemical resistances in the box and in Table 2 are only rough generalisations to give you some clues to gasket material behavior. The resistance of each chemical should be checked separately. For additional information, please contact Fibox.

Property	Unit	TPE	PUR	EPDM	Neoprene	Silicon
Temperature range	°C	-40 - +120	-50 - +130	-50 - +120	-40 - +100	-60 - +170
Tensile strength	Mpa	5	0,4	13,0	8,0	9,4
Elongation at break	%	700	110	300	250	540
Hardness	Shore A	30	12	65	66	52
Density	g/cm3	1,13	0,33	1,12	1,6	1,15
Compression set	%	17	5	20	35	14

Table 1: Gasket materials: physical properties comparison

Chemical Performance	TPE	PUR	EPDM	Neoprene	Silicon
Neutral salts	••••	••••	••••	••••	••••
Acids, low concentrations	••••	•••	••••	•••	•••
Acids, high concentrations	•••	•	•••	•	•
Alkalis, low concentrations	••••	•••	••••	••••	•••
Alkalis, high concentrations	•••	•	••••	•••	•
Petroleums	•	•	•	•••	•
Hydraulic oils	•	••••	•	•••	•
Alcohols	••	•••	••••	••••	••••
Cooling fluids	•••	•••	••••	•••	••••

Table 2: Gasket materials: chemical resistance comparison

- PUR = polyurethane
- TPE = thermoplastic elastomer
- EPDM = ethylene – propylene – diene – monomer

FIBOX customizing services

FIBOX machining services

To increase the range and flexibility of our enclosure solutions, Fibox has developed a comprehensive range of services, permitting cost effective customization for specific applications. The two most important of these are machining services and customized tooling.

Our sophisticated CNC machinery can supply enclosures with holes, cutouts and openings to your specification. This solution is best suited for small to medium volumes of enclosures. Fibox knowledge of enclosure materials ensures that the machining method is compatible with the chosen enclosure material.

Prior to machining a production run, product specification and drawings need to be prepared. Either the customer or Fibox can create these drawings. Enclosure specifications and technical data are available at www.fibox.com. CAD support 2D-drawings are available in IGES, DWG and DXF formats and 3D-models in IGES and Parasolid formats adaptable to your design system requirements.

Assembly services

Many enclosure solutions utilize Fibox accessories to improve the functionality of the enclosure system. Fibox can provide assembly services and install accessories specified by the end user, allowing delivery of "ready to use" mechanical packaging assemblies, saving labour costs and speeding up the manufacturing process. The Fibox accessory program includes a large number of items ranging from hinges and latches, cable glands and wiring accessories, to inspection windows and ventilators.

Customized tooling

For large volume OEM requirements, it is often possible to customize the moulding of a standard product to meet the OEM's specific needs. Provided the mould is a sophisticated multiple slide mould, any enclosure side may be customized without requiring an entirely new mould. It is important that the OEM consult with Fibox early in their design process to determine what, if any, mould change restrictions exist. Altering an existing Fibox mould can be a very cost effective alternative to creating a custom mould. In essence, you lease a high volume, standard product mould with minimal initial tooling cost. This can shorten product development times and permit customizing even those products with projected short life cycles. Your new product reaches the market sooner.

Coloured plastic enclosures

Fibox offers custom moulding of standard enclosures in customer specified colours. Standard colour specifications are based upon RAL system, however custom colour matching is possible. The type of plastic has significant impact on colour match, colour consistency and cost. Please consult your Fibox representative for guidance. Custom colour moulding becomes economical in volumes over 1000 pieces, but lower volumes are also possible. Cost adders are based upon increased raw material costs, plus the cost to prepare moulds prior to production and then clean the moulds and injection machines after production. These mould preparation costs are highly volume dependent.

Painted enclosures

Painting enclosures is recommended for plastic enclosures when volumes do not justify custom moulding. Critical colour matching, if required, is also easier to accomplish with paint. Paint type is dependent upon the choice of enclosure material. Please consult your Fibox representative for guidance.

EMC - plastic enclosures

Plastic enclosures can be prepared to provide EMC shielding. Various methods are available, but painting the internal surface with Cu paint is the preferred method. This coating, combined with a conductive gasket material such as CHO-SEAL 1350, can provide significant shielding levels. Proper selection of materials is very application specific. Please consult your Fibox representative for guidance.

Printed enclosures

Silk screen printing is recommended for enclosure batches of less than 1000 pieces. This method is mainly suitable for flat surfaces, and can be used for large areas. Tampo printing is the best solution for volumes greater than 1000 pieces. It is suitable for printing on both flat and curved surfaces of limited size. Tampo printing is also ideal for tight spots like the inside surface of the enclosure.





FIBOX – Solutions for demanding environments



Fibox MNX

MNX polycarbonate and ABS enclosures utilize world-class injection moulding technology. They are designed to house and protect all kinds of electrical and electronic components in the most demanding applications. The MNX includes more than 260 different variations.



MNX



Wide selection - More than 260 versions



Recess area for membranes



RoHS compliant and halogen-free

Polycarbonate and ABS enclosure

Please ask for Fibox mounting and machining service for terminal blocks and cable glands.

VERSATILE COVERS

Grey opaque or smoked transparent polycarbonate covers provide a stylish finish to any installed equipment. Tooling may be cost effectively changed to customise covers for volume OEM applications.

FIBOX MNX PCM

Enclosure features metric knock-outs moulded in place for easy wiring.

SWING PANEL

FUNCTIONAL COVER SCREWS

The enclosure is supplied with corrosion free plastic cover screws. A wing head screw can be snapped in place for opening without tools. Grey covers are supplied with grey screws. Smoked transparent covers are supplied with black screws.

HINGED INNER PANEL

For instrumentation mounting, aluminum inner panels can be hinged right or left. Unique brackets allow mounting in either base or cover. The brackets permit mounting at variable depths.

RUGGED HINGE

An optional corrosion free hinge is available. Mounted on the outside, fixing screws are hidden by decorative covers.

MEMBRANE KEYBOARD RECESS

The cover features a slightly recessed area ideal for overlays and membrane key pads. Special cover available for sizes 150 and 175.



MNX PC/ABS 95L

100 x 100

PC: IP 66/IP 67, IK 08
ABS: IP 66/IP 67, IK 07

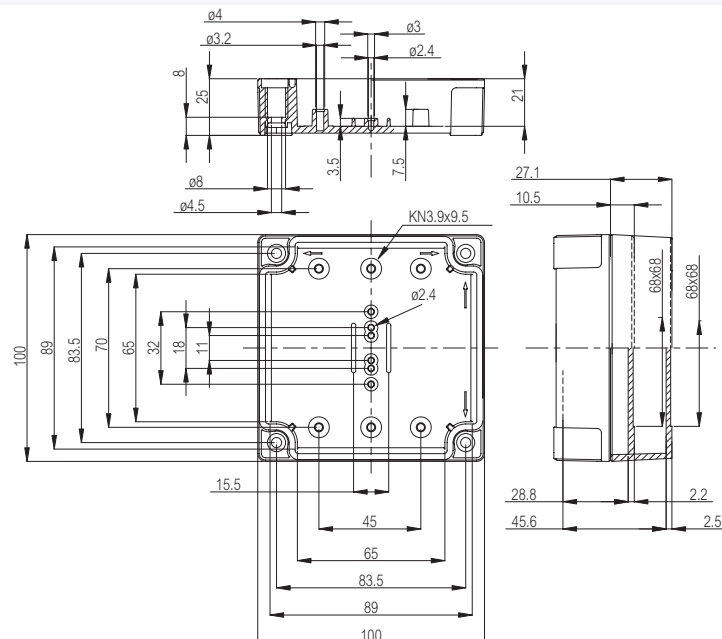
Including: Base with PUR gasket, screws for mounting plate/DIN-rail and cover with polyamide cover screws.

Enclosures

Order symbol	Code	Dimensions	Description
PC 95/35 LG	6012331	100 x 100 x 35	Enclosure, PC • Grey cover
PC 95/50 LG	6012332	100 x 100 x 50	Enclosure, PC • Grey cover
PC 95/35 LT	6012931	100 x 100 x 35	Enclosure, PC • Smoked transparent cover
PC 95/50 LT	6012932	100 x 100 x 50	Enclosure, PC • Smoked transparent cover
ABS 95/35 LG	6082331	100 x 100 x 35	Enclosure, ABS • Grey cover
ABS 95/50 LG	6082332	100 x 100 x 50	Enclosure, ABS • Grey cover
ABS 95/35 LT	6082931	100 x 100 x 35	Enclosure, ABS • Smoked transparent cover
ABS 95/50 LT	6082932	100 x 100 x 50	Enclosure, ABS • Smoked transparent cover

Accessories

Order symbol	Code	Dimensions	Description
MIV 95	5514583	66 x 80	Mounting plate (Galvanized steel)
MIN 8	6314584	15 x 80	DIN-15 Mounting rail
B-3	8524030	35 x 80	DIN-35 Mounting rail
FP 22046	8522346		Wall fastening lug (4 pcs) • incl. screws



MNX PC/ABS 95H

100 x 100

PC: IP 66/IP 67, IK 08
ABS: IP 66/IP 67, IK 07



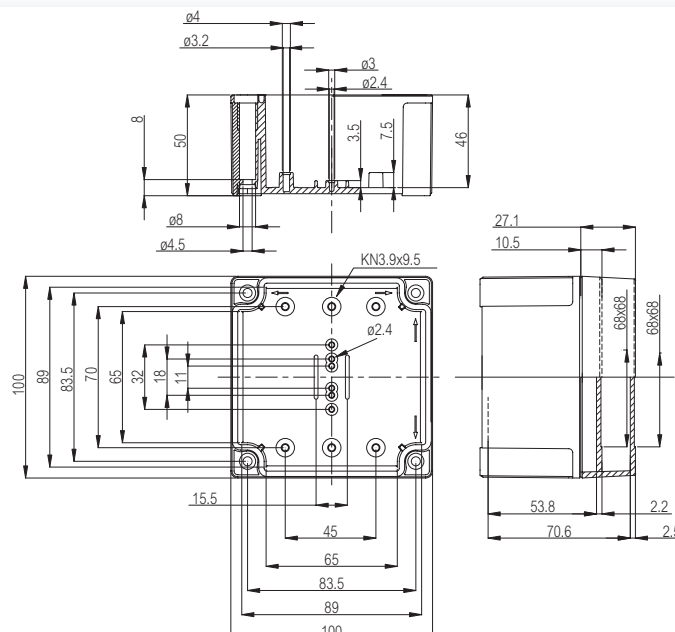
Including: Base with PUR gasket, screws for mounting plate/DIN-rail and cover with polyamide cover screws.

Enclosures

Order symbol	Code	Dimensions	Description
PC 95/60 HG	6011331	100 x 100 x 60	Enclosure, PC • Grey cover
PC 95/75 HG	6011332	100 x 100 x 75	Enclosure, PC • Grey cover
PC 95/60 HT	6011931	100 x 100 x 60	Enclosure, PC • Smoked transparent cover
PC 95/75 HT	6011932	100 x 100 x 75	Enclosure, PC • Smoked transparent cover
ABS 95/60 HG	6081331	100 x 100 x 60	Enclosure, ABS • Grey cover
ABS 95/75 HG	6081332	100 x 100 x 75	Enclosure, ABS • Grey cover
ABS 95/60 HT	6081931	100 x 100 x 60	Enclosure, ABS • Smoked transparent cover
ABS 95/75 HT	6081932	100 x 100 x 75	Enclosure, ABS • Smoked transparent cover

Accessories

Order symbol	Code	Dimensions	Description
MIV 95	5514583	66 x 80	Mounting plate (Galvanized steel)
MIN 8	6314584	15 x 80	DIN-15 Mounting rail
B-3	8524030	35 x 80	DIN-35 Mounting rail
FP 22046	8522346		Wall fastening lug (4 pcs) • incl. screws





MNX PC/ABS 100L

130 x 80

PC: IP 66/IP 67, IK 08
ABS: IP 66/IP 67, IK 07

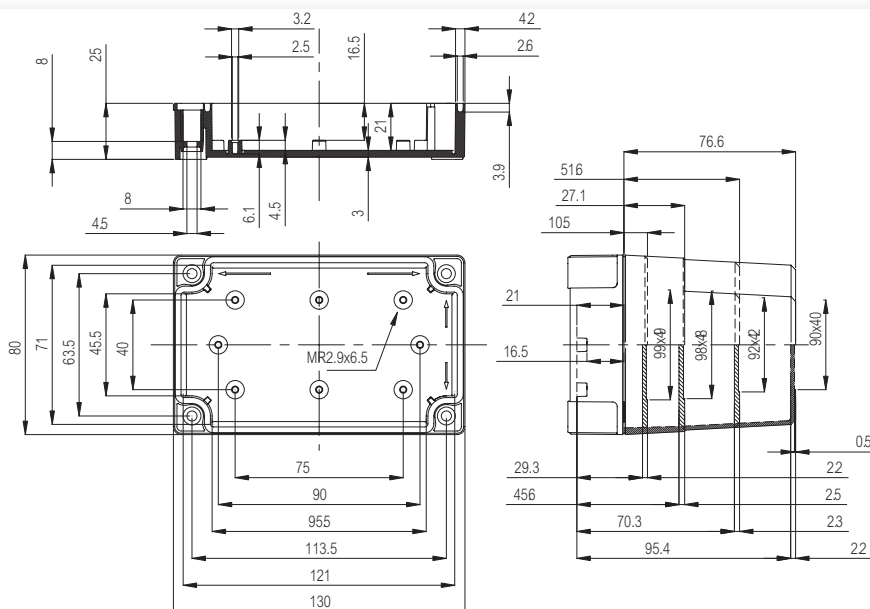
Including: Base with TPE gasket, screws for mounting plate/DIN-rail and cover with polyamide cover screws.

Enclosures

Order symbol	Code	Dimensions	Description
PC 100/35 LG	6012301	130 x 80 x 35	Enclosure, PC • Grey cover
PC 100/50 LG	6012302	130 x 80 x 50	Enclosure, PC • Grey cover
PC 100/75 LG	6012303	130 x 80 x 75	Enclosure, PC • Grey cover
PC 100/100 LG	6012304	130 x 80 x 100	Enclosure, PC • Grey cover
PC 100/35 LT	6012901	130 x 80 x 35	Enclosure, PC • Smoked transparent cover
PC 100/50 LT	6012902	130 x 80 x 50	Enclosure, PC • Smoked transparent cover
PC 100/75 LT	6012903	130 x 80 x 75	Enclosure, PC • Smoked transparent cover
PC 100/100 LT	6012904	130 x 80 x 100	Enclosure, PC • Smoked transparent cover
ABS 100/35 LG	6082301	130 x 80 x 35	Enclosure, ABS • Grey cover
ABS 100/50 LG	6082302	130 x 80 x 50	Enclosure, ABS • Grey cover
ABS 100/75 LG	6082303	130 x 80 x 75	Enclosure, ABS • Grey cover
ABS 100/100 LG	6082304	130 x 80 x 100	Enclosure, ABS • Grey cover
ABS 100/35 LT	6082901	130 x 80 x 35	Enclosure, ABS • Smoked transparent cover
ABS 100/50 LT	6082902	130 x 80 x 50	Enclosure, ABS • Smoked transparent cover
ABS 100/75 LT	6082903	130 x 80 x 75	Enclosure, ABS • Smoked transparent cover
ABS 100/100 LT	6082904	130 x 80 x 100	Enclosure, ABS • Smoked transparent cover

Accessories

Order symbol	Code	Dimensions	Description
MIV 100	5514076	98 x 48	Mounting plate (Galvanized steel)
MIN 5	6314575	15 x 50	DIN-15 Mounting rail
MIN 10	6314576	15 x 100	DIN-15 Mounting rail
MIV 5	5514081	35 x 50	DIN-35 Mounting rail
MIV 10	5514082	35 x 100	DIN-35 Mounting rail
FP A 100/130	6314570	120 x 62	Front plate (Aluminium)
HFP 130	6314563		Front plate hinge series for FP A 100-125 • (2 pcs) incl. screws
FP 22046	8522346		Wall fastening lug (4 pcs) • incl. screws



MNX PC/ABS 100H

130 x 80

PC: IP 66/IP 67, IK 08
ABS: IP 66/IP 67, IK 07



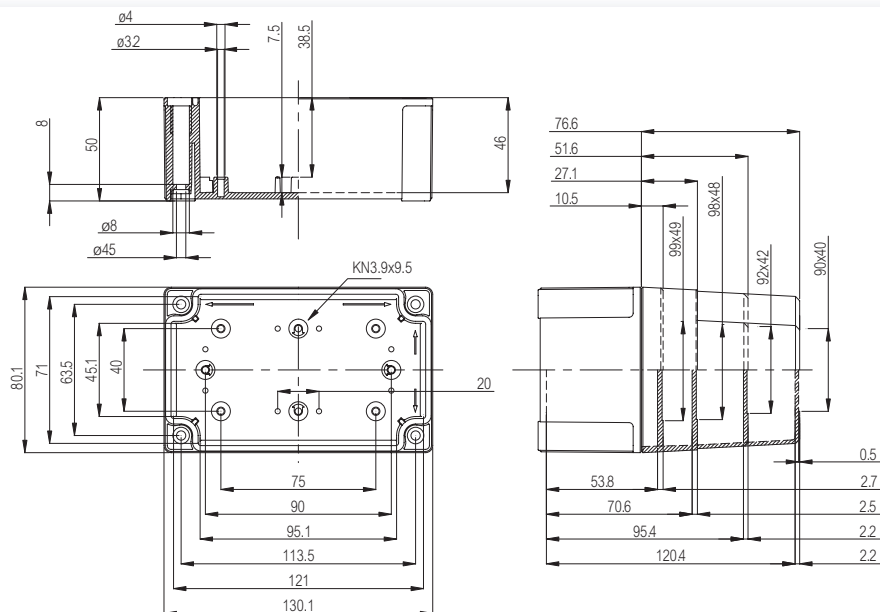
Including: Base with TPE gasket, screws for mounting plate/DIN-rail and cover with polyamide cover screws.

Enclosures

Order symbol	Code	Dimensions	Description
PC 100/60 HG	6011301	130 x 80 x 60	Enclosure, PC • Grey cover
PC 100/75 HG	6011302	130 x 80 x 75	Enclosure, PC • Grey cover
PC 100/100 HG	6011303	130 x 80 x 100	Enclosure, PC • Grey cover
PC 100/125 HG	6011304	130 x 80 x 125	Enclosure, PC • Grey cover
PC 100/60 HT	6011901	130 x 80 x 60	Enclosure, PC • Smoked transparent cover
PC 100/75 HT	6011902	130 x 80 x 75	Enclosure, PC • Smoked transparent cover
PC 100/100 HT	6011903	130 x 80 x 100	Enclosure, PC • Smoked transparent cover
PC 100/125 HT	6011904	130 x 80 x 125	Enclosure, PC • Smoked transparent cover
ABS 100/60 HG	6081301	130 x 80 x 60	Enclosure, ABS • Grey cover
ABS 100/75 HG	6081302	130 x 80 x 75	Enclosure, ABS • Grey cover
ABS 100/100 HG	6081303	130 x 80 x 100	Enclosure, ABS • Grey cover
ABS 100/125 HG	6081304	130 x 80 x 125	Enclosure, ABS • Grey cover
ABS 100/60 HT	6081901	130 x 80 x 60	Enclosure, ABS • Smoked transparent cover
ABS 100/75 HT	6081902	130 x 80 x 75	Enclosure, ABS • Smoked transparent cover
ABS 100/100 HT	6081903	130 x 80 x 100	Enclosure, ABS • Smoked transparent cover
ABS 100/125 HT	6081904	130 x 80 x 125	Enclosure, ABS • Smoked transparent cover

Accessories

Order symbol	Code	Dimensions	Description
MIV 100	5514076	98 x 48	Mounting plate (Galvanized steel)
MIN 5	6314575	15 x 50	DIN-15 Mounting rail
MIN 10	6314576	15 x 100	DIN-15 Mounting rail
MIV 5	5514081	35 x 50	DIN-35 Mounting rail
MIV 10	5514082	35 x 100	DIN-35 Mounting rail
FP A 100/130	6314570	120 x 62	Front plate (Aluminium)
HFP 130	6314563		Front plate hinge series for FP A 100-125 • (2 pcs) incl. screws
FP 22046	8522346		Wall fastening lug (4 pcs) • incl. screws





MNX PC/ABS 125L

130 x 130

PC: IP 66/IP 67, IK 08
ABS: IP 66/IP 67, IK 07

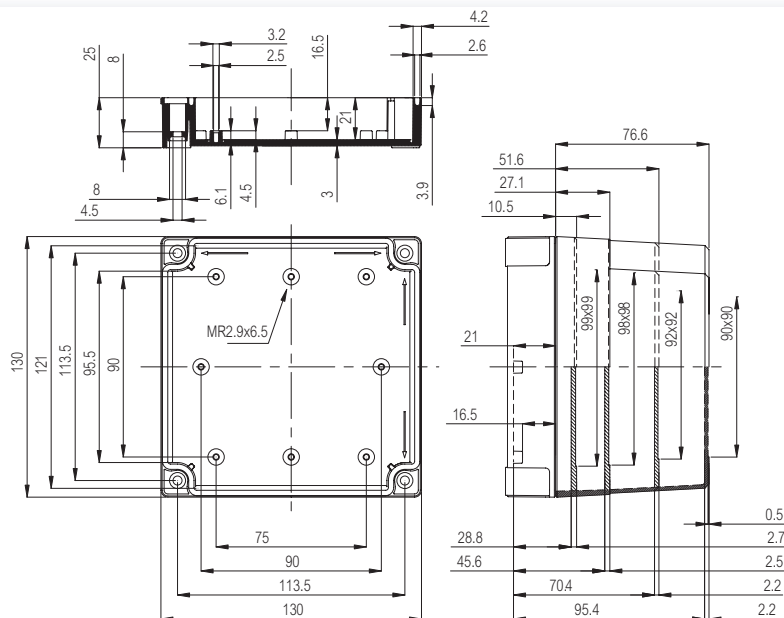
Including: Base with TPE gasket, screws for mounting plate/DIN-rail and cover with polyamide cover screws.

Enclosures

Order symbol	Code	Dimensions	Description
PC 125/35 LG	6012307	130 x 130 x 35	Enclosure, PC • Grey cover
PC 125/50 LG	6012308	130 x 130 x 50	Enclosure, PC • Grey cover
PC 125/75 LG	6012309	130 x 130 x 75	Enclosure, PC • Grey cover
PC 125/100 LG	6012310	130 x 130 x 100	Enclosure, PC • Grey cover
PC 125/35 LT	6012907	130 x 130 x 35	Enclosure, PC • Smoked transparent cover
PC 125/50 LT	6012908	130 x 130 x 50	Enclosure, PC • Smoked transparent cover
PC 125/75 LT	6012909	130 x 130 x 75	Enclosure, PC • Smoked transparent cover
PC 125/100 LT	6012910	130 x 130 x 100	Enclosure, PC • Smoked transparent cover
ABS 125/35 LG	6082307	130 x 130 x 35	Enclosure, ABS • Grey cover
ABS 125/50 LG	6082308	130 x 130 x 50	Enclosure, ABS • Grey cover
ABS 125/75 LG	6082309	130 x 130 x 75	Enclosure, ABS • Grey cover
ABS 125/100 LG	6082310	130 x 130 x 100	Enclosure, ABS • Grey cover
ABS 125/35 LT	6082907	130 x 130 x 35	Enclosure, ABS • Smoked transparent cover
ABS 125/50 LT	6082908	130 x 130 x 50	Enclosure, ABS • Smoked transparent cover
ABS 125/75 LT	6082909	130 x 130 x 75	Enclosure, ABS • Smoked transparent cover
ABS 125/100 LT	6082910	130 x 130 x 100	Enclosure, ABS • Smoked transparent cover

Accessories

Order symbol	Code	Dimensions	Description
MIV 125	5514077	98 x 98	Mounting plate (Galvanized steel)
MIN 10	6314576	15 x 100	DIN-15 Mounting rail
MIV 10	5514082	35 x 100	DIN-35 Mounting rail
FP A 125/130	6314571	120 x 112	Front plate (Aluminium)
HFP 130	6314563		Front plate hinge series for FP A 100-125 • (2 pcs) incl. screws
FP 22046	8522346		Wall fastening lug (4 pcs) • incl. screws



MNX PC/ABS 125H

130 x 130

PC: IP 66/IP 67, IK 08
ABS: IP 66/IP 67, IK 07



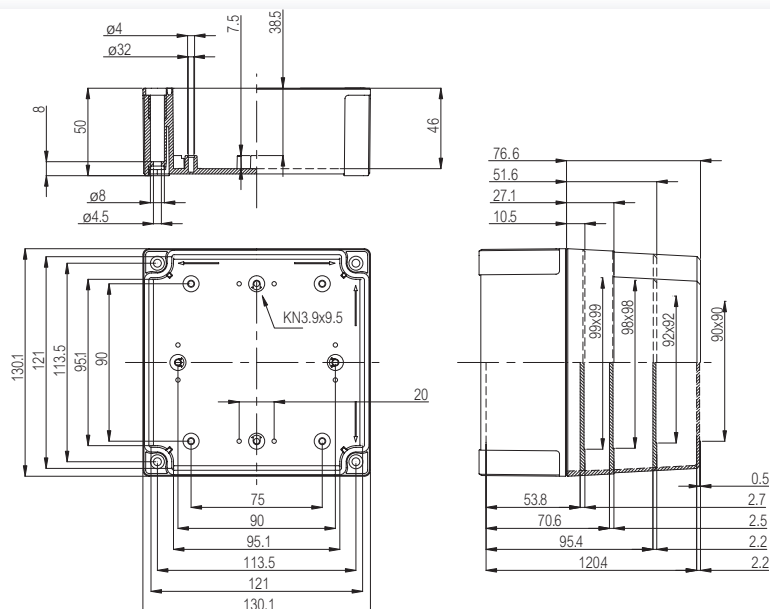
Including: Base with TPE gasket, screws for mounting plate/DIN-rail and cover with polyamide cover screws.

Enclosures

Order symbol	Code	Dimensions	Description
PC 125/60 HG	6011307	130 x 130 x 60	Enclosure, PC • Grey cover
PC 125/75 HG	6011308	130 x 130 x 75	Enclosure, PC • Grey cover
PC 125/100 HG	6011309	130 x 130 x 100	Enclosure, PC • Grey cover
PC 125/125 HG	6011310	130 x 130 x 125	Enclosure, PC • Grey cover
PC 125/60 HT	6011907	130 x 130 x 60	Enclosure, PC • Smoked transparent cover
PC 125/75 HT	6011908	130 x 130 x 75	Enclosure, PC • Smoked transparent cover
PC 125/100 HT	6011909	130 x 130 x 100	Enclosure, PC • Smoked transparent cover
PC 125/125 HT	6011910	130 x 130 x 125	Enclosure, PC • Smoked transparent cover
ABS 125/60 HG	6081307	130 x 130 x 60	Enclosure, ABS • Grey cover
ABS 125/75 HG	6081308	130 x 130 x 75	Enclosure, ABS • Grey cover
ABS 125/100 HG	6081309	130 x 130 x 100	Enclosure, ABS • Grey cover
ABS 125/125 HG	6081310	130 x 130 x 125	Enclosure, ABS • Grey cover
ABS 125/60 HT	6081907	130 x 130 x 60	Enclosure, ABS • Smoked transparent cover
ABS 125/75 HT	6081908	130 x 130 x 75	Enclosure, ABS • Smoked transparent cover
ABS 125/100 HT	6081909	130 x 130 x 100	Enclosure, ABS • Smoked transparent cover
ABS 125/125 HT	6081910	130 x 130 x 125	Enclosure, ABS • Smoked transparent cover

Accessories

Order symbol	Code	Dimensions	Description
MIV 125	5514077	98 x 98	Mounting plate (Galvanized steel)
MIN 10	6314576	15 x 100	DIN-15 Mounting rail
MIV 10	5514082	35 x 100	DIN-35 Mounting rail
FP A 125/130	6314571	120 x 112	Front plate (Aluminium)
HFP 130	6314563		Front plate hinge series for FP A 100-125 • (2 pcs) incl. screws
FP 22046	8522346		Wall fastening lug (4 pcs) • incl. screws





MNX PC/ABS 150L

180 x 130

PC: IP 66/IP 67, IK 08
ABS: IP 66/IP 67, IK 07

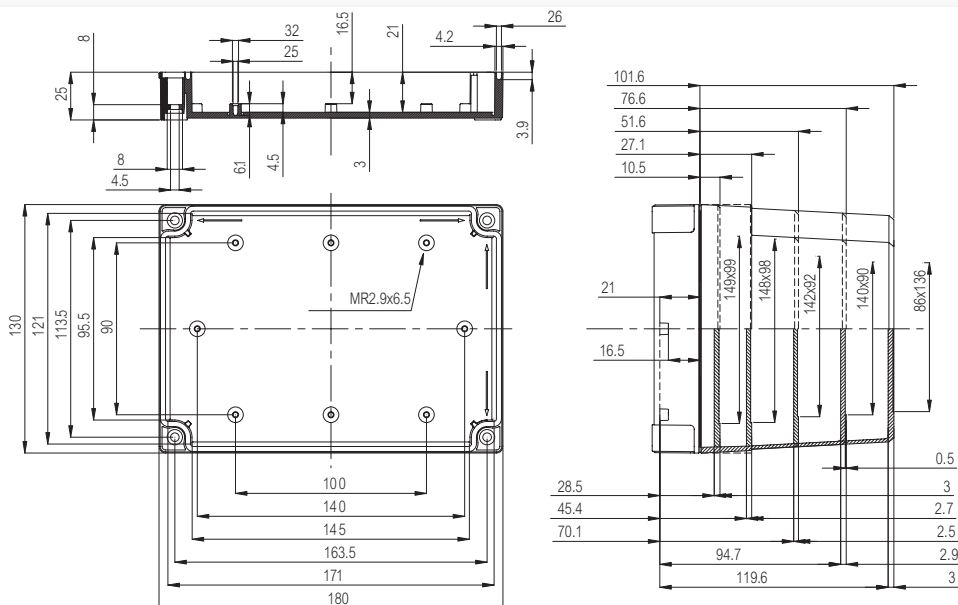
Including: Base with TPE gasket, screws for mounting plate/DIN-rail and cover with polyamide cover screws.

Enclosures

Order symbol	Code	Dimensions	Description
PC 150/35 LG	6012313	180 x 130 x 35	Enclosure, PC • Grey cover
PC 150/50 LG	6012314	180 x 130 x 50	Enclosure, PC • Grey cover
PC 150/75 LG	6012315	180 x 130 x 75	Enclosure, PC • Grey cover
PC 150/100 LG	6012316	180 x 130 x 100	Enclosure, PC • Grey cover
PC 150/125 LG	6012317	180 x 130 x 125	Enclosure, PC • Grey cover
PC 150/35 LT	6012913	180 x 130 x 35	Enclosure, PC • Smoked transparent cover
PC 150/50 LT	6012914	180 x 130 x 50	Enclosure, PC • Smoked transparent cover
PC 150/75 LT	6012915	180 x 130 x 75	Enclosure, PC • Smoked transparent cover
PC 150/100 LT	6012916	180 x 130 x 100	Enclosure, PC • Smoked transparent cover
PC 150/125 LT	6012917	180 x 130 x 125	Enclosure, PC • Smoked transparent cover
ABS 150/35 LG	6082313	180 x 130 x 35	Enclosure, ABS • Grey cover
ABS 150/50 LG	6082314	180 x 130 x 50	Enclosure, ABS • Grey cover
ABS 150/75 LG	6082315	180 x 130 x 75	Enclosure, ABS • Grey cover
ABS 150/100 LG	6082316	180 x 130 x 100	Enclosure, ABS • Grey cover
ABS 150/125 LG	6082317	180 x 130 x 125	Enclosure, ABS • Grey cover
ABS 150/35 LT	6082913	180 x 130 x 35	Enclosure, ABS • Smoked transparent cover
ABS 150/50 LT	6082914	180 x 130 x 50	Enclosure, ABS • Smoked transparent cover
ABS 150/75 LT	6082915	180 x 130 x 75	Enclosure, ABS • Smoked transparent cover
ABS 150/100 LT	6082916	180 x 130 x 100	Enclosure, ABS • Smoked transparent cover
ABS 150/125 LT	6082917	180 x 130 x 125	Enclosure, ABS • Smoked transparent cover

Accessories

Order symbol	Code	Dimensions	Description
MIV 150	5514078	148 x 98	Mounting plate (Galvanized steel)
MIN 10	6314576	15 x 100	DIN-15 Mounting rail
MIN 15	6314577	15 x 150	DIN-15 Mounting rail
MIV 10	5514082	35 x 100	DIN-35 Mounting rail
MIV 15	5514083	35 x 150	DIN-35 Mounting rail
FP A 150/180	6314572	170 x 112	Front plate (Aluminium)
HFP 180	6314564		Front plate hinge series for FP A 150-200 • (2 pcs) incl. screws
FP 22046	8522346		Wall fastening lug (4 pcs) • incl. screws



MNX PC/ABS 150H

180 x 130

PC: IP 66/IP 67, IK 08
ABS: IP 66/IP 67, IK 07



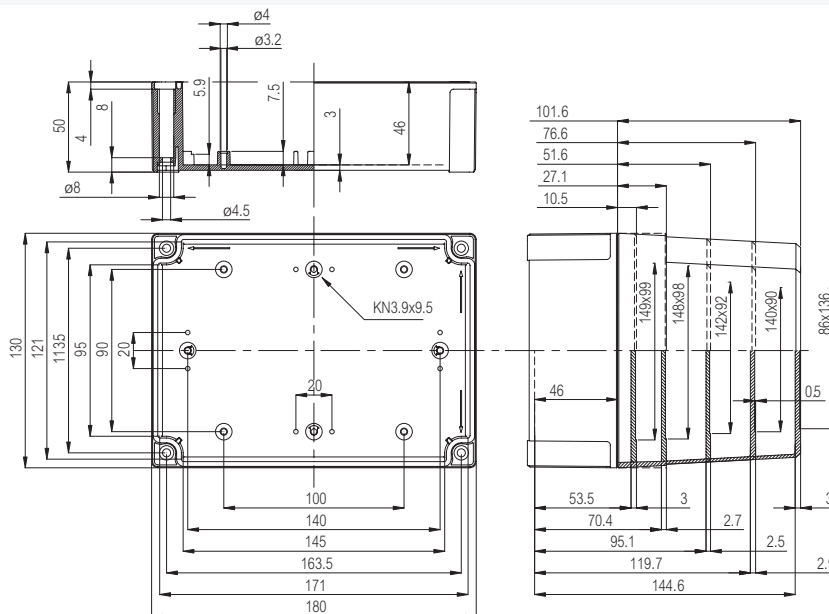
Including: Base with TPE gasket, screws for mounting plate/DIN-rail and cover with polyamide cover screws.

Enclosures

Order symbol	Code	Dimensions	Description
PC 150/60 HG	6011313	180 x 130 x 60	Enclosure, PC ▪ Grey cover
PC 150/60 HF	6011813	180 x 130 x 60	Enclosure, PC ▪ Grey membrane cover
PC 150/75 HG	6011314	180 x 130 x 75	Enclosure, PC ▪ Grey cover
PC 150/100 HG	6011315	180 x 130 x 100	Enclosure, PC ▪ Grey cover
PC 150/125 HG	6011316	180 x 130 x 125	Enclosure, PC ▪ Grey cover
PC 150/150 HG	6011317	180 x 130 x 150	Enclosure, PC ▪ Grey cover
PC 150/60 HT	6011913	180 x 130 x 60	Enclosure, PC ▪ Smoked transparent cover
PC 150/75 HT	6011914	180 x 130 x 75	Enclosure, PC ▪ Smoked transparent cover
PC 150/100 HT	6011915	180 x 130 x 100	Enclosure, PC ▪ Smoked transparent cover
PC 150/125 HT	6011916	180 x 130 x 125	Enclosure, PC ▪ Smoked transparent cover
PC 150/150 HT	6011917	180 x 130 x 150	Enclosure, PC ▪ Smoked transparent cover
ABS 150/60 HG	6081313	180 x 130 x 60	Enclosure, ABS ▪ Grey cover
ABS 150/75 HG	6081314	180 x 130 x 75	Enclosure, ABS ▪ Grey cover
ABS 150/100 HG	6081315	180 x 130 x 100	Enclosure, ABS ▪ Grey cover
ABS 150/125 HG	6081316	180 x 130 x 125	Enclosure, ABS ▪ Grey cover
ABS 150/150 HG	6081317	180 x 130 x 150	Enclosure, ABS ▪ Grey cover
ABS 150/60 HT	6081913	180 x 130 x 60	Enclosure, ABS ▪ Smoked transparent cover
ABS 150/75 HT	6081914	180 x 130 x 75	Enclosure, ABS ▪ Smoked transparent cover
ABS 150/100 HT	6081915	180 x 130 x 100	Enclosure, ABS ▪ Smoked transparent cover
ABS 150/125 HT	6081916	180 x 130 x 125	Enclosure, ABS ▪ Smoked transparent cover
ABS 150/150 HT	6081917	180 x 130 x 150	Enclosure, ABS ▪ Smoked transparent cover

Accessories

Order symbol	Code	Dimensions	Description
MIV 150	5514078	148 x 98	Mounting plate (Galvanized steel)
MIN 10	6314576	15 x 100	DIN-15 Mounting rail
MIN 15	6314577	15 x 150	DIN-15 Mounting rail
MIV 10	5514082	35 x 100	DIN-35 Mounting rail
MIV 15	5514083	35 x 150	DIN-35 Mounting rail
FP A 150/180	6314572	170 x 112	Front plate (Aluminium)
HFP 180	6314564		Front plate hinge series for FP A 150-200 ▪ (2 pcs) incl. screws
FP 22046	8522346		Wall fastening lug (4 pcs) ▪ incl. screws





MNX PC/ABS 150XH

180 x 130

PC: IP 66/IP 67, IK 08
ABS: IP 66/IP 67, IK 07

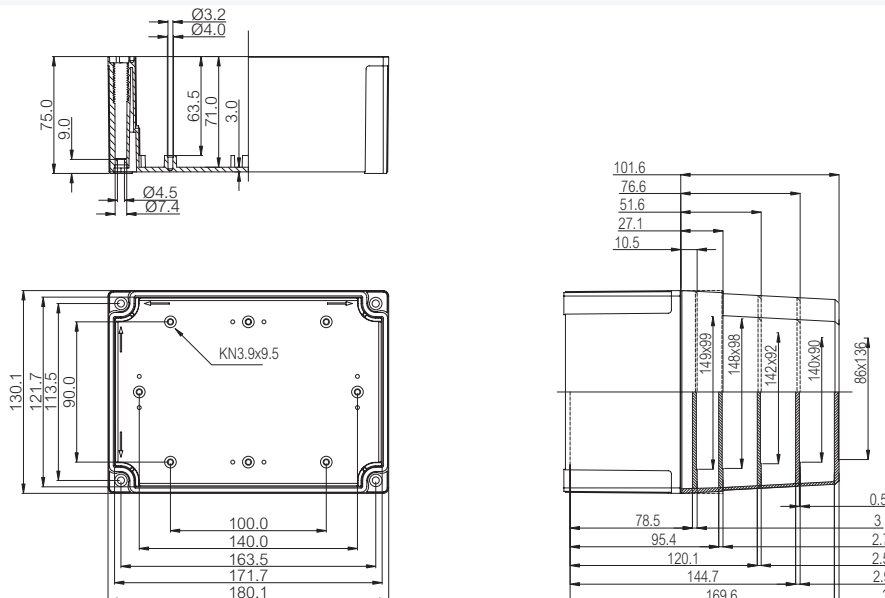
Including: Base with PUR gasket, screws for mounting plate/DIN-rail and cover with polyamide cover screws.

Enclosures

Order symbol	Code	Dimensions	Description
PC 150/85 XHG	6013333	180 x 130 x 85	Enclosure, PC • Grey cover
PC 150/85 XHF	6013833	180 x 130 x 85	Enclosure, PC • Grey membrane cover
PC 150/100 XHG	6013334	180 x 130 x 100	Enclosure, PC • Grey cover
PC 150/125 XHG	6013335	180 x 130 x 125	Enclosure, PC • Grey cover
PC 150/150 XHG	6013336	180 x 130 x 150	Enclosure, PC • Grey cover
PC 150/175 XHG	6013337	180 x 130 x 175	Enclosure, PC • Grey cover
PC 150/85 XHT	6013933	180 x 130 x 85	Enclosure, PC • Smoked transparent cover
PC 150/100 XHT	6013934	180 x 130 x 100	Enclosure, PC • Smoked transparent cover
PC 150/125 XHT	6013935	180 x 130 x 125	Enclosure, PC • Smoked transparent cover
PC 150/150 XHT	6013936	180 x 130 x 150	Enclosure, PC • Smoked transparent cover
PC 150/175 XHT	6013937	180 x 130 x 175	Enclosure, PC • Smoked transparent cover
ABS 150/85 XHG	6083333	180 x 130 x 85	Enclosure, ABS • Grey cover
ABS 150/100 XHG	6083334	180 x 130 x 100	Enclosure, ABS • Grey cover
ABS 150/125 XHG	6083335	180 x 130 x 125	Enclosure, ABS • Grey cover
ABS 150/150 XHG	6083336	180 x 130 x 150	Enclosure, ABS • Grey cover
ABS 150/175 XHG	6083337	180 x 130 x 175	Enclosure, ABS • Grey cover
ABS 150/85 XHT	6083933	180 x 130 x 85	Enclosure, ABS • Smoked transparent cover
ABS 150/100 XHT	6083934	180 x 130 x 100	Enclosure, ABS • Smoked transparent cover
ABS 150/125 XHT	6083935	180 x 130 x 125	Enclosure, ABS • Smoked transparent cover
ABS 150/150 XHT	6083936	180 x 130 x 150	Enclosure, ABS • Smoked transparent cover
ABS 150/175 XHT	6083937	180 x 130 x 175	Enclosure, ABS • Smoked transparent cover

Accessories

Order symbol	Code	Dimensions	Description
MIV 150	5514078	148 x 98	Mounting plate (Galvanized steel)
MIN 10	6314576	15 x 100	DIN-15 Mounting rail
MIN 15	6314577	15 x 150	DIN-15 Mounting rail
MIV 10	5514082	35 x 100	DIN-35 Mounting rail
MIV 15	5514083	35 x 150	DIN-35 Mounting rail
FP A 150/180	6314572	170 x 112	Front plate (Aluminium)
HFP 180	6314564		Front plate hinge series for FP A 150-200 • (2 pcs) incl. screws
FP 22046	8522346		Wall fastening lug (4 pcs) • incl. screws



MNX PC/ABS 175H

180 x 180

PC: IP 66/IP 67, IK 08
ABS: IP 66/IP 67, IK 07



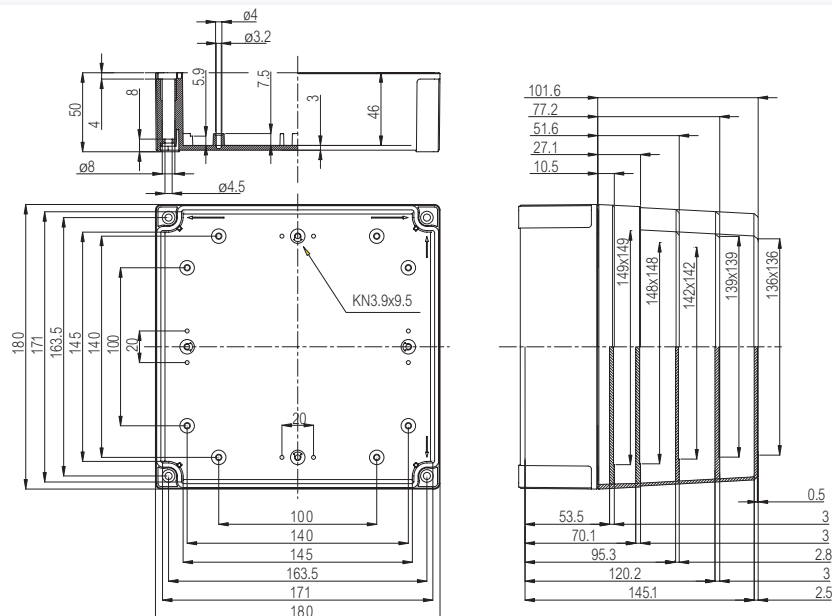
Including: Base with TPE gasket, screws for mounting plate/DIN-rail and cover with polyamide cover screws.

Enclosures

Order symbol	Code	Dimensions	Description
PC 175/60 HG	6011319	180 x 180 x 60	Enclosure, PC • Grey cover
PC 175/75 HG	6011320	180 x 180 x 75	Enclosure, PC • Grey cover
PC 175/100 HG	6011321	180 x 180 x 100	Enclosure, PC • Grey cover
PC 175/125 HG	6011322	180 x 180 x 125	Enclosure, PC • Grey cover
PC 175/150 HG	6011323	180 x 180 x 150	Enclosure, PC • Grey cover
PC 175/60 HT	6011919	180 x 180 x 60	Enclosure, PC • Smoked transparent cover
PC 175/75 HT	6011920	180 x 180 x 75	Enclosure, PC • Smoked transparent cover
PC 175/100 HT	6011921	180 x 180 x 100	Enclosure, PC • Smoked transparent cover
PC 175/125 HT	6011922	180 x 180 x 125	Enclosure, PC • Smoked transparent cover
PC 175/150 HT	6011923	180 x 180 x 150	Enclosure, PC • Smoked transparent cover
ABS 175/60 HG	6081319	180 x 180 x 60	Enclosure, ABS • Grey cover
ABS 175/75 HG	6081320	180 x 180 x 75	Enclosure, ABS • Grey cover
ABS 175/100 HG	6081321	180 x 180 x 100	Enclosure, ABS • Grey cover
ABS 175/125 HG	6081322	180 x 180 x 125	Enclosure, ABS • Grey cover
ABS 175/150 HG	6081323	180 x 180 x 150	Enclosure, ABS • Grey cover
ABS 175/60 HT	6081919	180 x 180 x 60	Enclosure, ABS • Smoked transparent cover
ABS 175/75 HT	6081920	180 x 180 x 75	Enclosure, ABS • Smoked transparent cover
ABS 175/100 HT	6081921	180 x 180 x 100	Enclosure, ABS • Smoked transparent cover
ABS 175/125 HT	6081922	180 x 180 x 125	Enclosure, ABS • Smoked transparent cover
ABS 175/150 HT	6081923	180 x 180 x 150	Enclosure, ABS • Smoked transparent cover

Accessories

Order symbol	Code	Dimensions	Description
MIV 175	5514079	148 x 148	Mounting plate (Galvanized steel)
MIN 15	6314577	15 x 150	DIN-15 Mounting rail
MIV 15	5514083	35 x 150	DIN-35 Mounting rail
FP A 175/180	6314573	170 x 162	Front plate (Aluminium)
HFP 180	6314564		Front plate hinge series for FP A 150-200 • (2 pcs) incl. screws
FP 22046	8522346		Wall fastening lug (4 pcs) • incl. screws





MNX PC/ABS 200H

255 x 180

PC: IP 66/IP 67, IK 08
ABS: IP 66/IP 67, IK 07

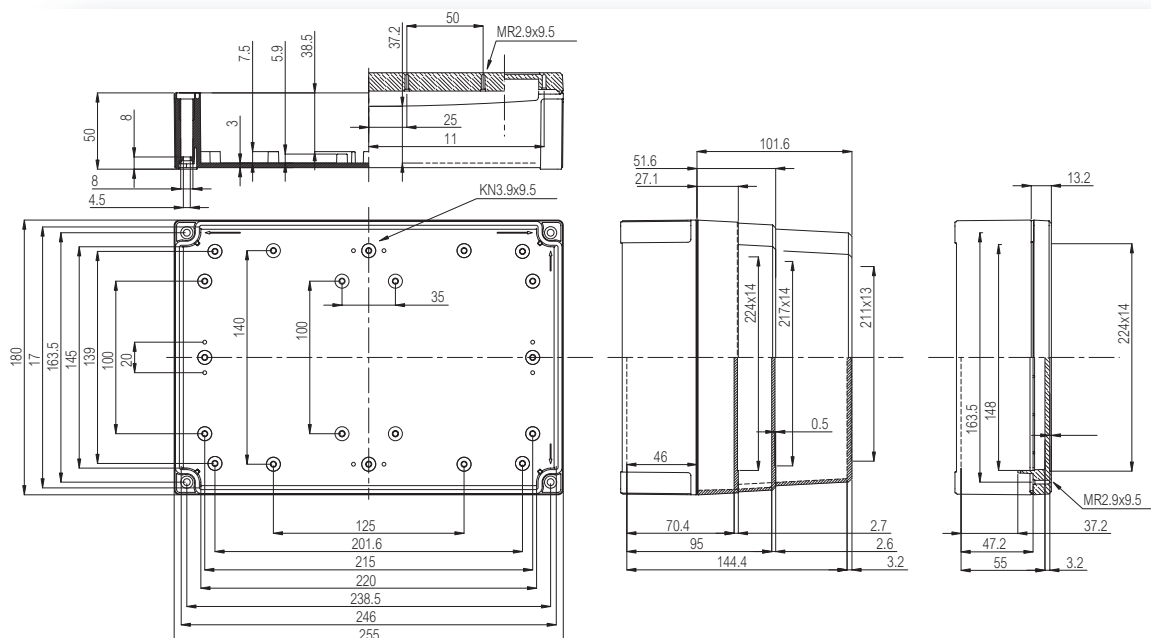
Including: Base with TPE gasket, screws for mounting plate/DIN-rail and cover with polyamide cover screws.

Enclosures

Order symbol	Code	Dimensions	Description
PC 200/63 HG	6011324	255 x 180 x 63	Enclosure, PC • Grey cover
PC 200/75 HG	6011326	255 x 180 x 75	Enclosure, PC • Grey cover
PC 200/100 HG	6011327	255 x 180 x 100	Enclosure, PC • Grey cover
PC 200/150 HG	6011329	255 x 180 x 150	Enclosure, PC • Grey cover
PC 200/63 HT	6011924	255 x 180 x 63	Enclosure, PC • Smoked transparent cover
PC 200/75 HT	6011926	255 x 180 x 75	Enclosure, PC • Smoked transparent cover
PC 200/100 HT	6011927	255 x 180 x 100	Enclosure, PC • Smoked transparent cover
PC 200/150 HT	6011929	255 x 180 x 150	Enclosure, PC • Smoked transparent cover
ABS 200/63 HG	6081324	255 x 180 x 63	Enclosure, ABS • Grey cover
ABS 200/75 HG	6081326	255 x 180 x 75	Enclosure, ABS • Grey cover
ABS 200/100 HG	6081327	255 x 180 x 100	Enclosure, ABS • Grey cover
ABS 200/150 HG	6081329	255 x 180 x 150	Enclosure, ABS • Grey cover
ABS 200/63 HT	6081924	255 x 180 x 63	Enclosure, ABS • Smoked transparent cover
ABS 200/75 HT	6081926	255 x 180 x 75	Enclosure, ABS • Smoked transparent cover
ABS 200/100 HT	6081927	255 x 180 x 100	Enclosure, ABS • Smoked transparent cover
ABS 200/150 HT	6081929	255 x 180 x 150	Enclosure, ABS • Smoked transparent cover

Accessories

Order symbol	Code	Dimensions	Description
MIV 200	5514080	223 x 148	Mounting plate (Galvanized steel)
MIN 15	6314577	15 x 150	DIN-15 Mounting rail
MIN 20	6314578	15 x 225	DIN-15 Mounting rail
MIV 15	5514083	35 x 150	DIN-35 Mounting rail
MIV 20	5514084	35 x 225	DIN-35 Mounting rail
FP A 200/180	6314574	237 x 170	Front plate (Aluminium)
HFP 180	6314564		Front plate hinge series for FP A 150-200 • (2 pcs) incl. screws
FP 22046	8522346		Wall fastening lug (4 pcs) • incl. screws



MNX PC/ABS 200XH

255 x 180

PC: IP 66/IP 67, IK 08
ABS: IP 66/IP 67, IK 07



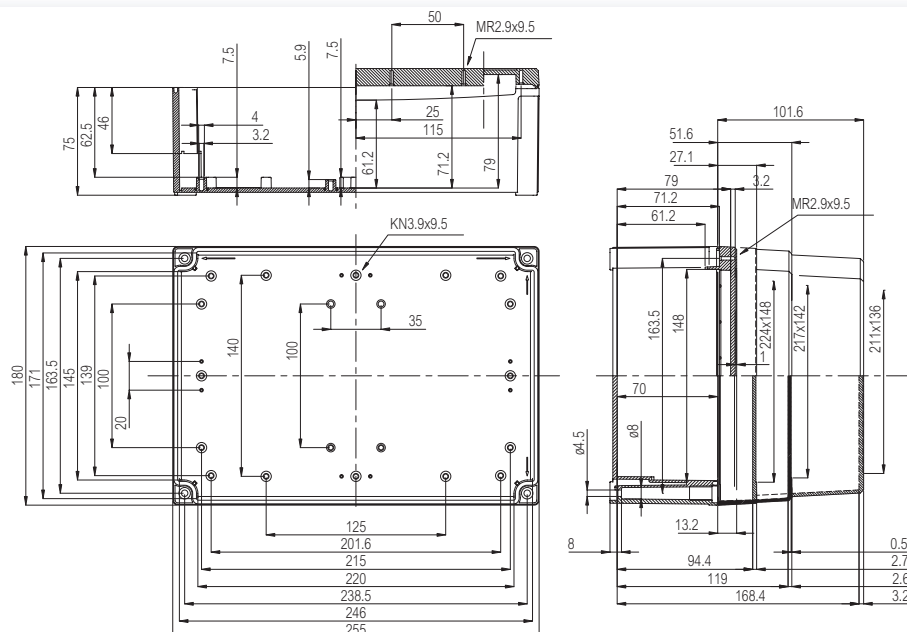
Including: Base with PUR gasket, screws for mounting plate/DIN-rail and cover with polyamide cover screws.

Enclosures

Order symbol	Code	Dimensions	Description
PC 200/88 XHG	6013330	255 x 180 x 88	Enclosure, PC • Grey cover
PC 200/100 XHG	6013326	255 x 180 x 100	Enclosure, PC • Grey cover
PC 200/125 XHG	6013327	255 x 180 x 125	Enclosure, PC • Grey cover
PC 200/175 XHG	6013329	255 x 180 x 175	Enclosure, PC • Grey cover
PC 200/88 XHT	6013930	255 x 180 x 88	Enclosure, PC • Smoked transparent cover
PC 200/100 XHT	6013926	255 x 180 x 100	Enclosure, PC • Smoked transparent cover
PC 200/125 XHT	6013927	255 x 180 x 125	Enclosure, PC • Smoked transparent cover
PC 200/175 XHT	6013929	255 x 180 x 175	Enclosure, PC • Smoked transparent cover
ABS 200/88 XHG	6083330	255 x 180 x 88	Enclosure, ABS • Grey cover
ABS 200/100 XHG	6083326	255 x 180 x 100	Enclosure, ABS • Grey cover
ABS 200/125 XHG	6083327	255 x 180 x 125	Enclosure, ABS • Grey cover
ABS 200/175 XHG	6083329	255 x 180 x 175	Enclosure, ABS • Grey cover
ABS 200/88 XHT	6083930	255 x 180 x 88	Enclosure, ABS • Smoked transparent cover
ABS 200/100 XHT	6083926	255 x 180 x 100	Enclosure, ABS • Smoked transparent cover
ABS 200/125 XHT	6083927	255 x 180 x 125	Enclosure, ABS • Smoked transparent cover
ABS 200/175 XHT	6083929	255 x 180 x 175	Enclosure, ABS • Smoked transparent cover

Accessories

Order symbol	Code	Dimensions	Description
MIV 200	5514080	223 x 148	Mounting plate (Galvanized steel)
MIN 15	6314577	15 x 150	DIN-15 Mounting rail
MIN 20	6314578	15 x 225	DIN-15 Mounting rail
MIV 15	5514083	35 x 150	DIN-35 Mounting rail
MIV 20	5514084	35 x 225	DIN-35 Mounting rail
FP A 200/180	6314574	237 x 170	Front plate (Aluminium)
HFP 180	6314564		Front plate hinge series for FP A 150-200 • (2 pcs) incl. screws
FP 22046	8522346		Wall fastening lug (4 pcs) • incl. screws





MNX PC/ABS 300Z

360 x 255

PC: IP 66/IP 67, IK 08
ABS: IP 66/IP 67, IK 07

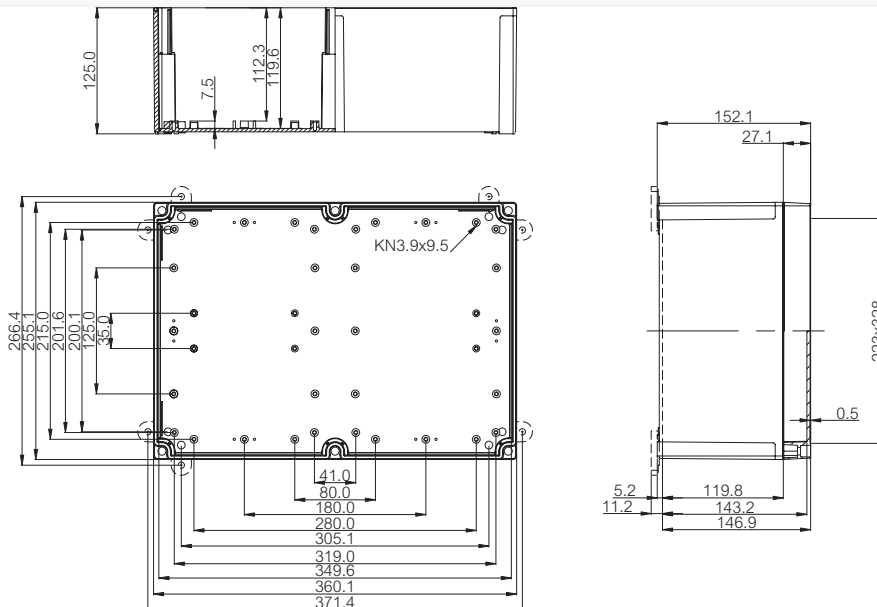
Including: Base with PUR gasket, screws for mounting plate/DIN-rail and cover with polyamide cover screws.

Enclosures

Order symbol	Code	Dimensions	Description
PC 300/150 ZG	6017338	360 x 255 x 152	Enclosure, PC • Grey cover
PC 300/150 ZT	6017938	360 x 255 x 152	Enclosure, PC • Smoked transparent cover
ABS 300/150 ZG	6087338	360 x 255 x 152	Enclosure, ABS • Grey cover
ABS 300/150 ZT	6087938	360 x 255 x 152	Enclosure, ABS • Smoked transparent cover

Accessories

Order symbol	Code	Dimensions	Description
MIV 300	5514585	330 x 225	Mounting plate (Galvanized steel)
MIV 200	5514080	223 x 148	Mounting plate (Galvanized steel)
MIV 150	5514078	148 x 98	Mounting plate (Galvanized steel)
MIN 20	6314578	15 x 225	DIN-15 Mounting rail
MIN 15	6314577	15 x 150	DIN-15 Mounting rail
MIV 30	5514586	35 x 329	DIN-35 Mounting rail
MIV 20	5514084	35 x 225	DIN-35 Mounting rail
MIV 15	5514083	35 x 150	DIN-35 Mounting rail
FP 10674	5510674		Wall fastening lug (2 pcs) • incl. screws



MNX PCM 95

100 x 100

PC: IP 66/IP 67, IK 08



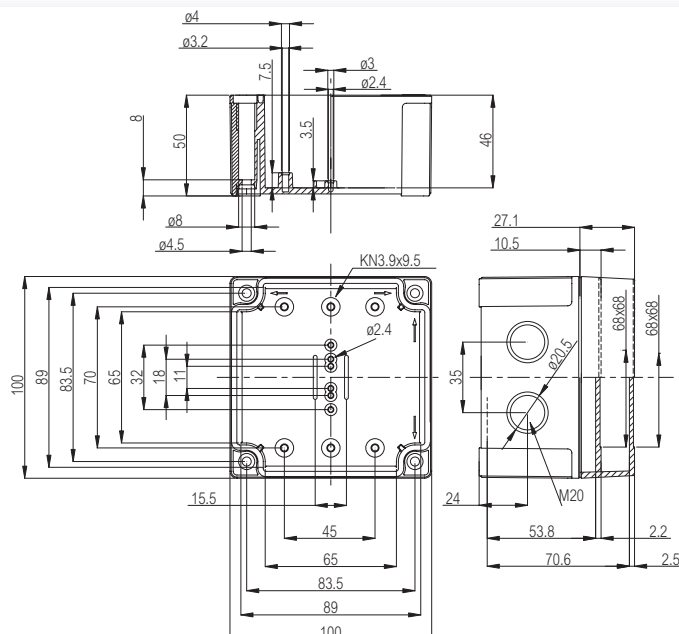
Including: Base with metric knock-outs and PUR gasket, screws for mounting plate/DIN-rail and cover with polyamide cover screws.

Enclosures

Order symbol	Code	Dimensions	Description
PCM 95/60 G	6016331	100 x 100 x 60	Enclosure, PC ▪ Grey cover
PCM 95/75 G	6016332	100 x 100 x 75	Enclosure, PC ▪ Grey cover
PCM 95/60 T	6016931	100 x 100 x 60	Enclosure, PC ▪ Smoked transparent cover
PCM 95/75 T	6016932	100 x 100 x 75	Enclosure, PC ▪ Smoked transparent cover

Accessories

Order symbol	Code	Dimensions	Description
MIV 95	5514583	66 x 80	Mounting plate (Galvanized steel)
MIN 8	6314584	15 x 80	DIN-15 Mounting rail
B-3	8524030	35 x 80	DIN-35 Mounting rail
FP 22046	8522346		Wall fastening lug (4 pcs) ▪ incl. screws





MNX PCM 100

130 x 80

PC: IP 66/IP 67, IK 08

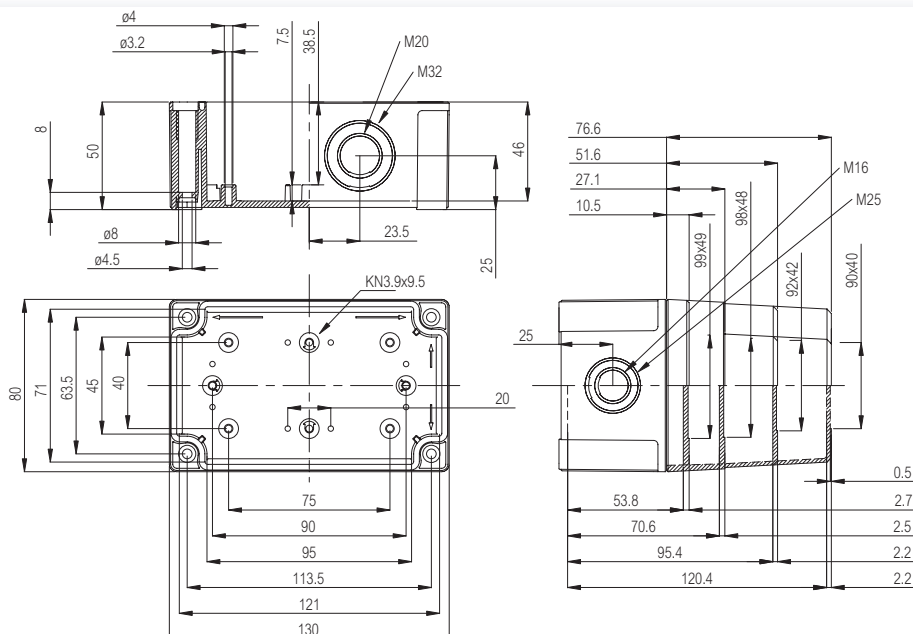
Including: Base with metric knock-outs and TPE gasket, screws for mounting plate/DIN-rail and cover with polyamide cover screws.

Enclosures

Order symbol	Code	Dimensions	Description
PCM 100/60 G	6016301	130 x 80 x 60	Enclosure, PC • Grey cover
PCM 100/75 G	6016302	130 x 80 x 75	Enclosure, PC • Grey cover
PCM 100/100 G	6016303	130 x 80 x 100	Enclosure, PC • Grey cover
PCM 100/125 G	6016304	130 x 80 x 125	Enclosure, PC • Grey cover
PCM 100/60 T	6016901	130 x 80 x 60	Enclosure, PC • Smoked transparent cover
PCM 100/75 T	6016902	130 x 80 x 75	Enclosure, PC • Smoked transparent cover
PCM 100/100 T	6016903	130 x 80 x 100	Enclosure, PC • Smoked transparent cover
PCM 100/125 T	6016904	130 x 80 x 125	Enclosure, PC • Smoked transparent cover

Accessories

Order symbol	Code	Dimensions	Description
MIV 100	5514076	98 x 48	Mounting plate (Galvanized steel)
MIN 5	6314575	15 x 50	DIN-15 Mounting rail
MIN 10	6314576	15 x 100	DIN-15 Mounting rail
MIV 5	5514081	35 x 50	DIN-35 Mounting rail
MIV 10	5514082	35 x 100	DIN-35 Mounting rail
FP A 100/130	6314570	120 x 62	Front plate (Aluminium)
HFP 130	6314563		Front plate hinge series for FP A 100-125 • (2 pcs) incl. screws
FP 22046	8522346		Wall fastening lug (4 pcs) • incl. screws



MNX PCM 125

130 x 130

PC: IP 66/IP 67, IK 08



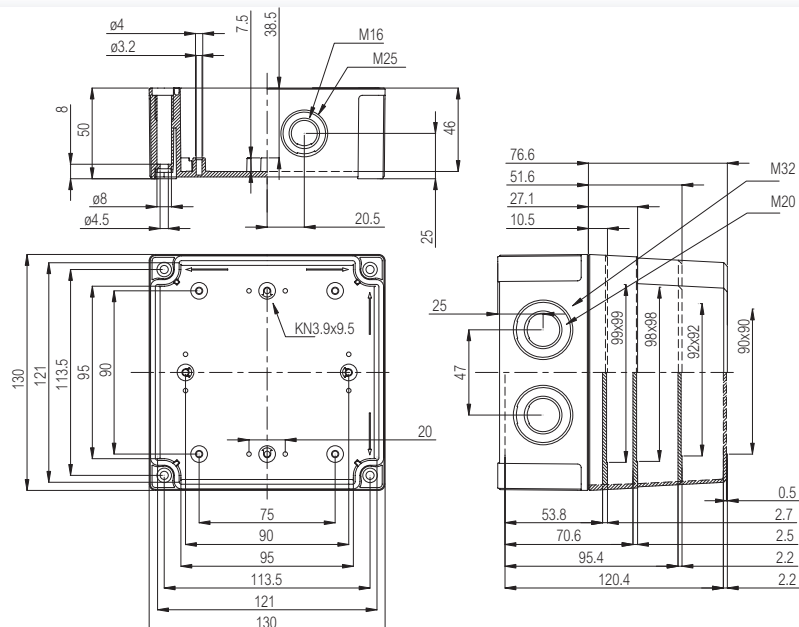
Including: Base with metric knock-outs and TPE gasket, screws for mounting plate/DIN-rail and cover with polyamide cover screws.

Enclosures

Order symbol	Code	Dimensions	Description
PCM 125/60 G	6016307	130 x 130 x 60	Enclosure, PC ▪ Grey cover
PCM 125/75 G	6016308	130 x 130 x 75	Enclosure, PC ▪ Grey cover
PCM 125/100 G	6016309	130 x 130 x 100	Enclosure, PC ▪ Grey cover
PCM 125/125 G	6016310	130 x 130 x 125	Enclosure, PC ▪ Grey cover
PCM 125/60 T	6016907	130 x 130 x 60	Enclosure, PC ▪ Smoked transparent cover
PCM 125/75 T	6016908	130 x 130 x 75	Enclosure, PC ▪ Smoked transparent cover
PCM 125/100 T	6016909	130 x 130 x 100	Enclosure, PC ▪ Smoked transparent cover
PCM 125/125 T	6016910	130 x 130 x 125	Enclosure, PC ▪ Smoked transparent cover

Accessories

Order symbol	Code	Dimensions	Description
MIV 125	5514077	98 x 98	Mounting plate (Galvanized steel)
MIN 10	6314576	15 x 100	DIN-15 Mounting rail
MIV 10	5514082	35 x 100	DIN-35 Mounting rail
FP A 125/130	6314571	120 x 112	Front plate (Aluminium)
HFP 130	6314563		Front plate hinge series for FP A 100-125 ▪ (2 pcs) incl. screws
FP 22046	8522346		Wall fastening lug (4 pcs) ▪ incl. screws





MNX PCM 150

180 x 130

PC: IP 66/IP 67, IK 08

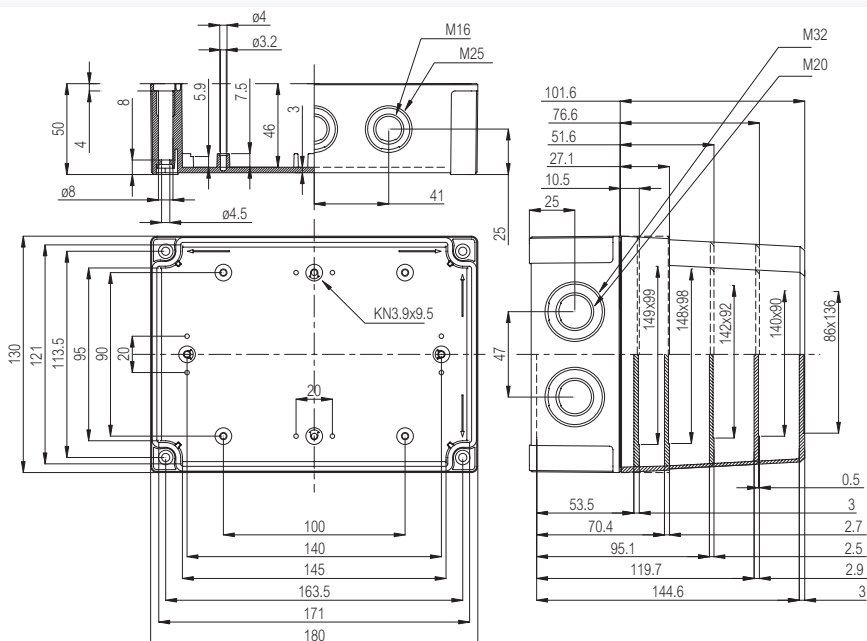
Including: Base with metric knock-outs and TPE gasket, screws for mounting plate/DIN-rail and cover with polyamide cover screws.

Enclosures

Order symbol	Code	Dimensions	Description
PCM 150/60 G	6016313	180 x 130 x 60	Enclosure, PC • Grey cover
PCM 150/75 G	6016314	180 x 130 x 75	Enclosure, PC • Grey cover
PCM 150/100 G	6016315	180 x 130 x 100	Enclosure, PC • Grey cover
PCM 150/125 G	6016316	180 x 130 x 125	Enclosure, PC • Grey cover
PCM 150/150 G	6016317	180 x 130 x 150	Enclosure, PC • Grey cover
PCM 150/60 T	6016913	180 x 130 x 60	Enclosure, PC • Smoked transparent cover
PCM 150/75 T	6016914	180 x 130 x 75	Enclosure, PC • Smoked transparent cover
PCM 150/100 T	6016915	180 x 130 x 100	Enclosure, PC • Smoked transparent cover
PCM 150/125 T	6016916	180 x 130 x 125	Enclosure, PC • Smoked transparent cover
PCM 150/150 T	6016917	180 x 130 x 150	Enclosure, PC • Smoked transparent cover

Accessories

Order symbol	Code	Dimensions	Description
MIV 150	5514078	148 x 98	Mounting plate (Galvanized steel)
MIN 10	6314576	15 x 100	DIN-15 Mounting rail
MIN 15	6314577	15 x 150	DIN-15 Mounting rail
MIV 10	5514082	35 x 100	DIN-35 Mounting rail
MIV 15	5514083	35 x 150	DIN-35 Mounting rail
FP A 150/180	6314572	170 x 112	Front plate (Aluminium)
HFP 180	6314564		Front plate hinge series for FP A 150-200 • (2 pcs) incl. screws
FP 22046	8522346		Wall fastening lug (4 pcs) • incl. screws



MNX PCM 150X

180 x 130

PC: IP 66/IP 67, IK 08



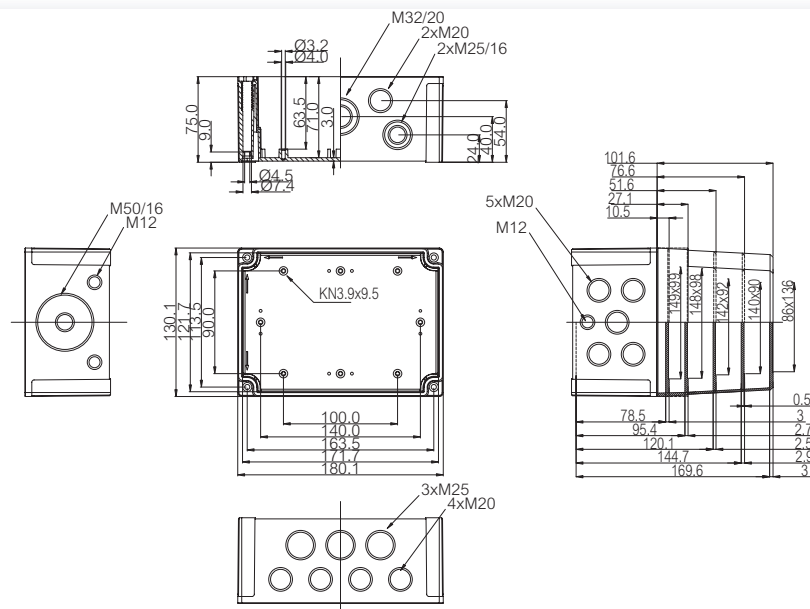
Including: Base with metric knock-outs and PUR gasket, screws for mounting plate/DIN-rail and cover with polyamide cover screws.

Enclosures

Order symbol	Code	Dimensions	Description
PCM 150/85 XG	6016333	180 x 130 x 85	Enclosure, PC ▪ Grey cover
PCM 150/100 XG	6016334	180 x 130 x 100	Enclosure, PC ▪ Grey cover
PCM 150/125 XG	6016335	180 x 130 x 125	Enclosure, PC ▪ Grey cover
PCM 150/150 XG	6016336	180 x 130 x 150	Enclosure, PC ▪ Grey cover
PCM 150/175 XG	6016337	180 x 130 x 175	Enclosure, PC ▪ Grey cover
PCM 150/85 XT	6016933	180 x 130 x 85	Enclosure, PC ▪ Smoked transparent cover
PCM 150/100 XT	6016934	180 x 130 x 100	Enclosure, PC ▪ Smoked transparent cover
PCM 150/125 XT	6016935	180 x 130 x 125	Enclosure, PC ▪ Smoked transparent cover
PCM 150/150 XT	6016936	180 x 130 x 150	Enclosure, PC ▪ Smoked transparent cover
PCM 150/175 XT	6016937	180 x 130 x 175	Enclosure, PC ▪ Smoked transparent cover

Accessories

Order symbol	Code	Dimensions	Description
MIV 150	5514078	148 x 98	Mounting plate (Galvanized steel)
MIN 10	6314576	15 x 100	DIN-15 Mounting rail
MIN 15	6314577	15 x 150	DIN-15 Mounting rail
MIV 10	5514082	35 x 100	DIN-35 Mounting rail
MIV 15	5514083	35 x 150	DIN-35 Mounting rail
FP A 150/180	6314572	170 x 112	Front plate (Aluminium)
HFP 180	6314564		Front plate hinge series for FP A 150-200 ▪ (2 pcs) incl. screws
FP 22046	8522346		Wall fastening lug (4 pcs) ▪ incl. screws





MNX PCM 175

180 x 180

PC: IP 66/IP 67, IK 08

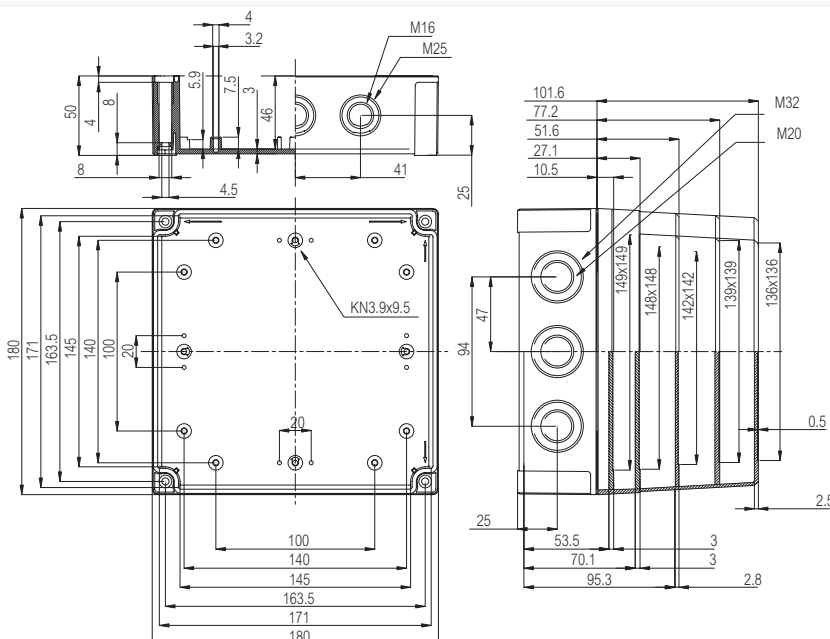
Including: Base with metric knock-outs and TPE gasket, screws for mounting plate/DIN-rail and cover with polyamide cover screws.

Enclosures

Order symbol	Code	Dimensions	Description
PCM 175/60 G	6016319	180 x 180 x 60	Enclosure, PC • Grey cover
PCM 175/75 G	6016320	180 x 180 x 75	Enclosure, PC • Grey cover
PCM 175/100 G	6016321	180 x 180 x 100	Enclosure, PC • Grey cover
PCM 175/125 G	6016322	180 x 180 x 125	Enclosure, PC • Grey cover
PCM 175/150 G	6016323	180 x 180 x 150	Enclosure, PC • Grey cover
PCM 175/60 T	6016919	180 x 180 x 60	Enclosure, PC • Smoked transparent cover
PCM 175/75 T	6016920	180 x 180 x 75	Enclosure, PC • Smoked transparent cover
PCM 175/100 T	6016921	180 x 180 x 100	Enclosure, PC • Smoked transparent cover
PCM 175/125 T	6016922	180 x 180 x 125	Enclosure, PC • Smoked transparent cover
PCM 175/150 T	6016923	180 x 180 x 150	Enclosure, PC • Smoked transparent cover

Accessories

Order symbol	Code	Dimensions	Description
MIV 175	5514079	148 x 148	Mounting plate (Galvanized steel)
MIN 15	6314577	15 x 150	DIN-15 Mounting rail
MIV 15	5514083	35 x 150	DIN-35 Mounting rail
FP A 175/180	6314573	170 x 162	Front plate (Aluminium)
HFP 180	6314564		Front plate hinge series for FP A 150-200 • (2 pcs) incl. screws
FP 22046	8522346		Wall fastening lug (4 pcs) • incl. screws



MNX PCM 200

255 x 180

PC: IP 66/IP 67, IK 08



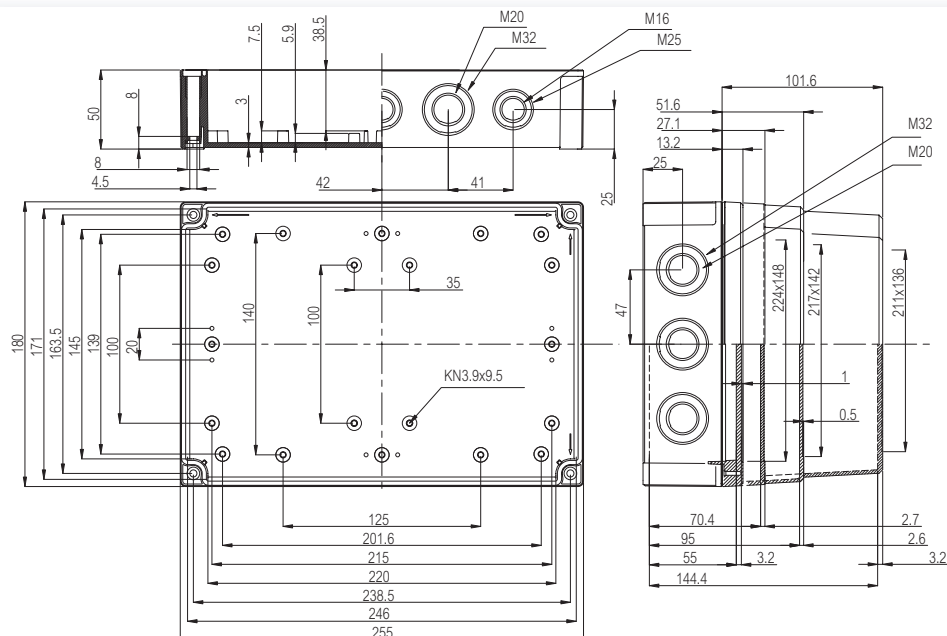
Including: Base with metric knock-outs and TPE gasket, screws for mounting plate/DIN-rail and cover with polyamide cover screws.

Enclosures

Order symbol	Code	Dimensions	Description
PCM 200/63 G	6016324	255 x 180 x 63	Enclosure, PC ▪ Grey cover
PCM 200/75 G	6016326	255 x 180 x 75	Enclosure, PC ▪ Grey cover
PCM 200/100 G	6016327	255 x 180 x 100	Enclosure, PC ▪ Grey cover
PCM 200/150 G	6016329	255 x 180 x 150	Enclosure, PC ▪ Grey cover
PCM 200/63 T	6016924	255 x 180 x 63	Enclosure, PC ▪ Smoked transparent cover
PCM 200/75 T	6016926	255 x 180 x 75	Enclosure, PC ▪ Smoked transparent cover
PCM 200/100 T	6016927	255 x 180 x 100	Enclosure, PC ▪ Smoked transparent cover
PCM 200/150 T	6016929	255 x 180 x 150	Enclosure, PC ▪ Smoked transparent cover

Accessories

Order symbol	Code	Dimensions	Description
MIV 200	5514080	223 x 148	Mounting plate (Galvanized steel)
MIN 15	6314577	15 x 150	DIN-15 Mounting rail
MIN 20	6314578	15 x 225	DIN-15 Mounting rail
MIV 15	5514083	35 x 150	DIN-35 Mounting rail
MIV 20	5514084	35 x 225	DIN-35 Mounting rail
FP A 200/180	6314574	237 x 170	Front plate (Aluminium)
HFP 180	6314564		Front plate hinge series for FP A 150-200 ▪ (2 pcs) incl. screws
FP 22046	8522346		Wall fastening lug (4 pcs) ▪ incl. screws





MNX PCM 200X

255 x 180

PC: IP 66/IP 67, IK 08

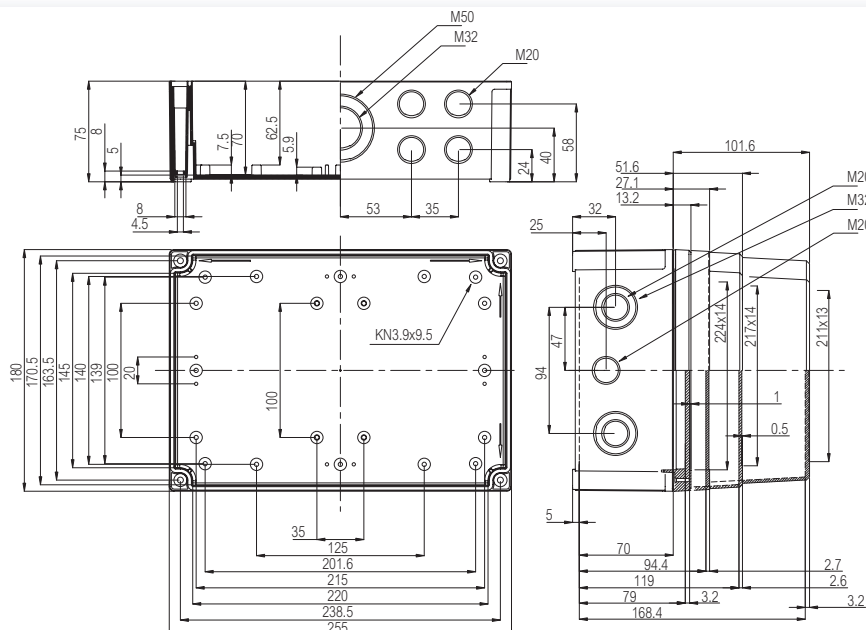
Including: Base with metric knock-outs and PUR gasket, screws for mounting plate/DIN-rail and cover with polyamide cover screws.

Enclosures

Order symbol	Code	Dimensions	Description
PCM 200/88 XG	6015330	255 x 180 x 88	Enclosure, PC • Grey cover
PCM 200/100 XG	6015326	255 x 180 x 100	Enclosure, PC • Grey cover
PCM 200/125 XG	6015327	255 x 180 x 125	Enclosure, PC • Grey cover
PCM 200/175 XG	6015329	255 x 180 x 175	Enclosure, PC • Grey cover
PCM 200/88 XT	6015930	255 x 180 x 88	Enclosure, PC • Smoked transparent cover
PCM 200/100 XT	6015926	255 x 180 x 100	Enclosure, PC • Smoked transparent cover
PCM 200/125 XT	6015927	255 x 180 x 125	Enclosure, PC • Smoked transparent cover
PCM 200/175 XT	6015929	255 x 180 x 175	Enclosure, PC • Smoked transparent cover

Accessories

Order symbol	Code	Dimensions	Description
MIV 200	5514080	223 x 148	Mounting plate (Galvanized steel)
MIN 15	6314577	15 x 150	DIN-15 Mounting rail
MIN 20	6314578	15 x 225	DIN-15 Mounting rail
MIV 15	5514083	35 x 150	DIN-35 Mounting rail
MIV 20	5514084	35 x 225	DIN-35 Mounting rail
FP A 200/180	6314574	237 x 170	Front plate (Aluminium)
HFP 180	6314564		Front plate hinge series for FP A 150-200 • (2 pcs) incl. screws
FP 22046	8522346		Wall fastening lug (4 pcs) • incl. screws



MNX PCM 300Z

360 x 255

PC: IP 66/IP 67, IK 08



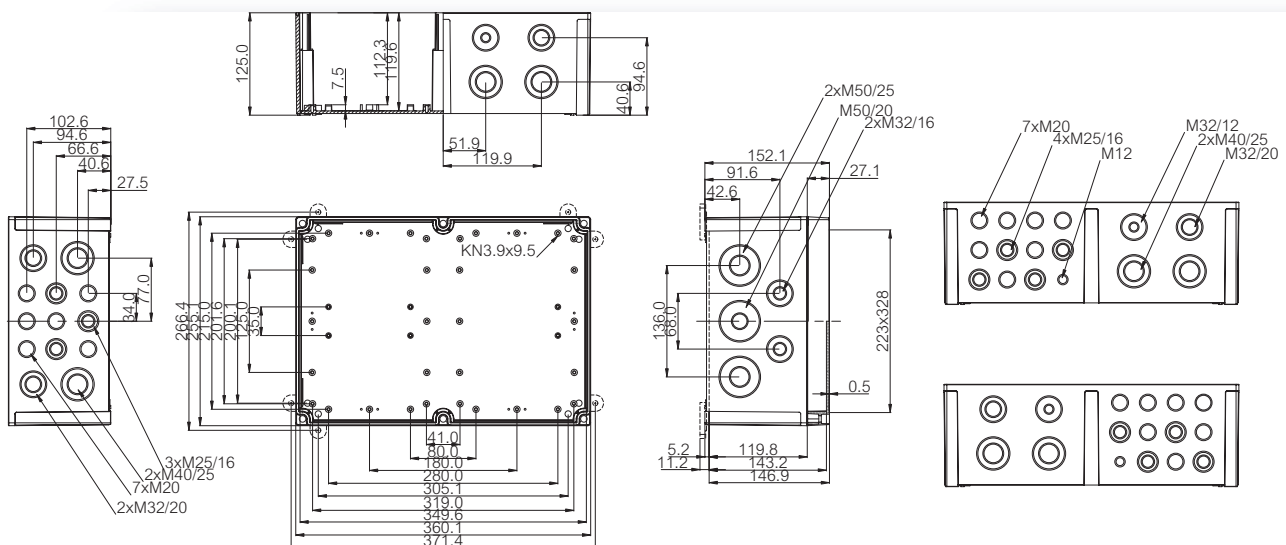
Including: Base with metric knock-outs and PUR gasket, screws for mounting plate/DIN-rail and cover with polyamide cover screws.

Enclosures

Order symbol	Code	Dimensions	Description
PCM 300/150 ZG	6016338	360 x 255 x 152	Enclosure, PC • Grey cover
PCM 300/150 ZT	6016938	360 x 255 x 152	Enclosure, PC • Smoked transparent cover

Accessories

Order symbol	Code	Dimensions	Description
MIV 300	5514585	330 x 225	Mounting plate (Galvanized steel)
MIV 200	5514080	223 x 148	Mounting plate (Galvanized steel)
MIV 150	5514078	148 x 98	Mounting plate (Galvanized steel)
MIN 20	6314578	15 x 225	DIN-15 Mounting rail
MIN 15	6314577	15 x 150	DIN-15 Mounting rail
MIV 30	5514586	35 x 329	DIN-35 Mounting rail
MIV 20	5514084	35 x 225	DIN-35 Mounting rail
MIV 15	5514083	35 x 150	DIN-35 Mounting rail
FP 10674	5510674		Wall fastening lug (2 pcs) • incl. screws

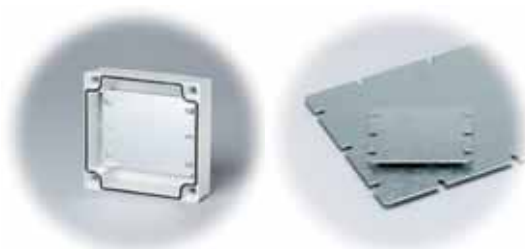


ACCESSORIES

Order symbol Code Description

Mounting plates (Galvanized steel, sheet thickness 1,5 mm)

MIV 95	5514583	66 x 80
MIV 100	5514076	98 x 48
MIV 125	5514077	98 x 98
MIV 150	5514078	148 x 98
MIV 175	5514079	148 x 148
MIV 200	5514080	223 x 148
MIV 300	5514585	330 x 225



DIN-15 Mounting rails (Galvanized steel, rail height 5,0 mm)

MIN 5	6314575	15 x 50
MIN 8	6314584	15 x 80
MIN 10	6314576	15 x 100
MIN 15	6314577	15 x 150
MIN 20	6314578	15 x 225



DIN-35 Mounting rails (Galvanized steel, rail height 7,5 mm)

MIV 5	5514081	35 x 50
MIV 10	5514082	35 x 100
MIV 15	5514083	35 x 150
MIV 20	5514084	35 x 225
MIV 30	5514586	35 x 329



Front plates (Aluminium, sheet thickness 1,5 mm)

FP A 100/130	6314570	120 x 62
FP A 125/130	6314571	120 x 112
FP A 150/180	6314572	170 x 112
FP A 175/180	6314573	170 x 162
FP A 200/180	6314574	237 x 170



Front plate hinge series

HFP 130	6314563	Front plate hinge series for FP A 100-125 ▪ (2 pcs) incl. screws
HFP 180	6314564	Front plate hinge series for FP A 150-200 ▪ (2 pcs) incl. screws

Hinges and wall mounting

TH A	9802001	Grey plastic hinges (2 pcs) ▪ incl. mounting screws
TH BA	9802000	Black plastic hinges (2 pcs) ▪ incl. mounting screws
MB 14560	6314560	Grey blind plug ▪ Use with TH A hinges
MB 14560B	6334560	Black blind plug ▪ Use with TH BA hinges
FP 22046	8522346	Wall fastening lug (4 pcs) ▪ incl. screws
FP 10674	5510674	Wall fastening lug (2 pcs) ▪ incl. screws



Cover screws

SS 14550L	6314550	Cover screw for 10/13 mm cover ▪ Grey
SS 14551H	6314551	Cover screw for 25-100 mm covers ▪ Grey
SS 14550BL	6334550	Cover screw for 10/13 mm cover ▪ Black
SS 14551BH	6334551	Cover screw for 25-100 mm covers ▪ Black



Grey screw set for grey covers

MBS LL	6300001	Low cover (10/13 mm) ▪ Low base (25 mm)
MBS LH	6300002	Low cover (10/13 mm) ▪ High base (50-125 mm)
MBS HL	6300003	High cover (25-100 mm) ▪ Low base (25 mm)
MBS HH	6300004	High cover (25-100 mm) ▪ High base (50-125 mm)



ACCESSORIES

Order symbol Code Description

Black screw set for transparent covers

MBS BLL	6330001	Low cover (10/13 mm) ▪ Low base (25 mm)
MBS BLH	6330002	Low cover (10/13 mm) ▪ High base (50 - 125 mm)
MBS BHL	6330003	High cover (25-100 mm) ▪ Low base (25 mm)
MBS BHH	6330004	High cover (25-100 mm) ▪ High base (50-125 mm)



Polyamide wing heads

MB 14552	6314552	Wing head for cover screw ▪ Grey
MB 14552B	6334552	Wing head for cover screw ▪ Black
MBS 14552	6300005	Grey wing head set ▪ (40 pcs)
MBS 14552B	6330005	Black wing head set ▪ (40 pcs)



Polyamide sealing plugs

DP 14553	6314553	Sealing plug for cover screw ▪ Grey
DP 14553B	6334553	Sealing plug for cover screw ▪ Black
DPS 14553	6300006	Grey sealing plug set ▪ (40 pcs)
DPS 14553B	6330006	Black sealing plug set ▪ (40 pcs)



Mounting screws

MR ZN2.9x6.5	6314052	Mounting screw ▪ only for low bases (25 mm)
KN 3.9x9.5	5514042	Mounting screw
KN 3.9x9.5-10 SET	5614042	Mounting screw set ▪ (10 pcs)



MNX technical information

Property	Polycarbonate (PC)	ABS
Ingress Protection (EN 60529)	IP 66/IP 67	IP 66/IP 67
Impact Resistance (EN 62262)	IK 08	IK 07
Temperature Range Celsius (short term) Fahrenheit	-40° . . 120°C -40° . . 250°F	-40° . . 80°C -40° . . 175°F
Temperature Range Celsius (continuous) Fahrenheit	-40° . . 80°C -40° . . 175°F	-40° . . 60°C -40° . . 140°F
Electrical Insulation	Totally insulated ☐	Totally insulated ☐
Light Grey Parts Colour	RAL 7035 Industry Grey	RAL 7035 Industry Grey
Transparent Clear PC Cover	Smoked Grey	Smoked Grey
Cover Screws	Black or Grey	Black or Grey
Cover Screws	Polyamide (PA)	Polyamide (PA)
Gasket	TPE/PUR	TPE/PUR
Enclosure Flammability Rating	UL 94-5V	UL 94HB
Glow Wire Test (IEC 695-2-1) Self-extinguishing (PC)	960°C	650°C
Non-toxicity	Halogen Free	Halogen Free
UV resistance	UL 508 720 hours in "Weather-ometer"	
Chemical Resistance *	Good	Good

Conformity to standards

USA Enclosures for Electrical Equipment
PC: UL Type 1, 4, 4X, 6 (12 or 13); UL File E75645 Vol 1 Sec 7; UL 746C-5VA flame test (UL 50/508)
ABS: NEMA 1, 4, 4X, 6 (12 or 13)

Canada Industrial Control Equipment
Enclosures for Electrical Equipment/ULC

Europe Empty enclosures for low-voltage switchgear and controlgear assemblies EN 62208:2003 (50298:1998)

Europe Safety of Information Technology Equipment EN 60950
RoHS directive 2002/95/EC

Russia GostR - Gost Russian certificate of conformity

Data subject to change without notice.

*Consult separate raw material data for more detailed information

Fibox DG

Fibox DG enclosures, control units for demanding environments have been developed in close co-operation with key customers. Unique design saves time in assembly and on-site installation.



**Cable channel
below base**



Easy and simple hinge



**RoHS compliant and
halogen-free**

DG DG 2819

280 x 192

PC: IP 66/IP 67, IK 08
ABS: IP 66/IP 67, IK 07



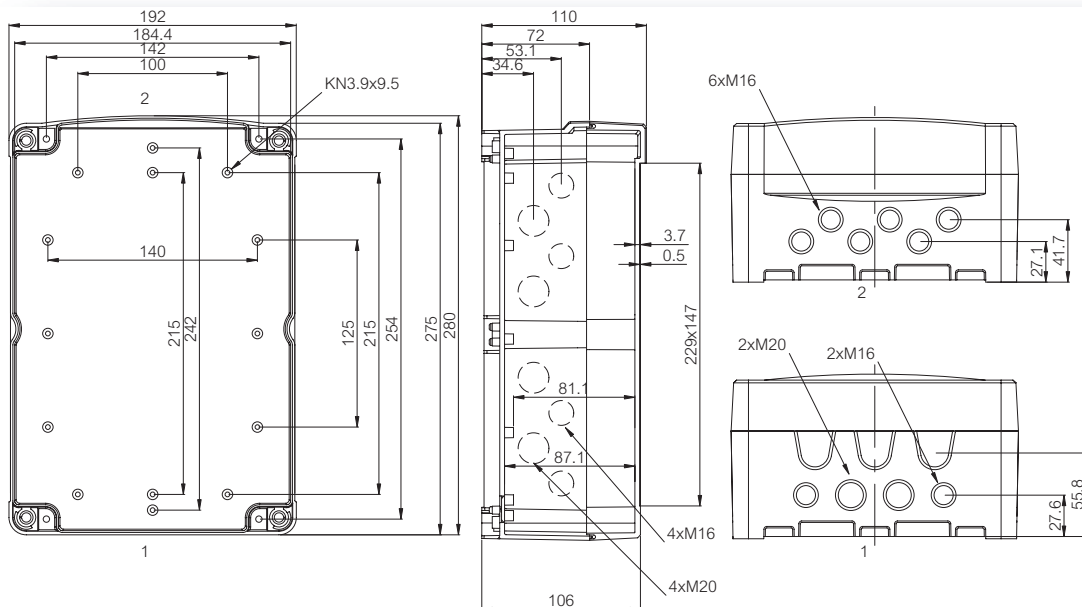
Including: Base with screws for mounting plate/DIN-rail, cover with PUR gasket and polyamide cover screws.
DGM-version: Base with metric knock-outs and U-gland cut-outs.

Enclosures

Order symbol	Code	Dimensions	Description
DGP 281911	6010001	280 x 192 x 110	Enclosure, PC • Grey cover
DGM 281911	6010107	280 x 192 x 110	Enclosure, PC, IP 65 • Metric knock-outs, Grey cover
DGA 281911	6080001	280 x 192 x 110	Enclosure, ABS • Grey cover

Accessories

Order symbol	Code	Dimensions	Description
MIV 200	5514080	223 x 148	Mounting plate (Galvanized steel)
MIV 150	5514078	148 x 98	Mounting plate (Galvanized steel)
MIN 20	6314578	15 x 225	DIN-15 Mounting rail
MIN 15	6314577	15 x 150	DIN-15 Mounting rail
MIV 20	5514084	35 x 225	DIN-35 Mounting rail
MIV 15	5514083	35 x 150	DIN-35 Mounting rail
FP 10674	5510674		Wall fastening lug (2 pcs) • incl. screws



ACCESSORIES

Order symbol	Code	Description
--------------	------	-------------

Mounting plates (Galvanized steel, sheet thickness 1,5 mm)

MIV 150	5514078	148 x 98
MIV 200	5514080	223 x 148



DIN-15 Mounting rails (Galvanized steel, rail height 5,0 mm)

MIN 15	6314577	15 x 150
MIN 20	6314578	15 x 225



DIN-35 Mounting rails (Galvanized steel, rail height 7,5 mm)

MIV 15	5514083	35 x 150
MIV 20	5514084	35 x 225



Hinges and wall mounting

TH SET	6314020	Plastic hinge set (2 pcs)
FP 10674	5510674	Wall fastening lug (2 pcs) ▪ incl. screws



Polyamide U-Cable gland, Grey RAL 7035, IP 65

GPU 10-14	7016310	U-Cable gland for cable 10-14 mm ▪ Temperature range -30...+80°C
-----------	---------	--



Cover and mounting screws

CS 26131	7346131	Cover screw
CSS 26131	6300008	Cover screw set ▪ 4 x CS 26131 + 4 x KN 3.9x9.5
KN 3.9x9.5	5514042	Mounting screw



DG technical information

Property	Polycarbonate (PC)	ABS
Ingress Protection (EN 60529)	IP 66/IP 67	IP 66/IP 67
Impact Resistance (EN 62262)	IK 08	IK 07
Temperature Range Celsius (short term)	-40° . . 120°C	-40° . . 80°C
Temperature Range Fahrenheit (short term)	-40° . . 250°F	-40° . . 175°F
Temperature Range Celsius (continuous)	-40° . . 80°C	-40° . . 60°C
Temperature Range Fahrenheit (continuous)	-40° . . 175°F	-40° . . 140°F
Electrical Insulation	Totally insulated ☐	Totally insulated ☐
Light Grey Parts Colour	RAL 7035 Industry Grey	RAL 7035 Industry Grey
Cover Screws	Grey	Grey
Cover Screws	Polyamide (PA)	Polyamide (PA)
Gasket	PUR	PUR
Enclosure Flammability Rating	UL 94-5V	UL 94HB
Glow Wire Test (IEC 695-2-1) Self-extinguishing (PC)	960°C	650°C
Non-toxicity	Halogen Free	Halogen Free
UV resistance	UL 508 720 hours in "Weather-ometer"	
Chemical Resistance *	Good	Good

Confirmity to standards

USA Enclosures for Electrical Equipment
 PC: NEMA 1, 3, 3S, 4*, 4X*, 6, 12 or 13; UL 746C-5VA
 flame test (UL 50/508)
 *All but DGM with U-cable glands.
 ABS: NEMA 1, 4, 4X, 6, 12 or 13

Europe Empty enclosures for low-voltage switchgear and controlgear assemblies EN 62208:2003 (50298:1998)
 RoHS directive 2002/95/EC

Data subject to change without notice.

*Consult separate raw material data for more detailed information

Fibox TEMPO

Fibox Tempo enclosures are easy to use because they are designed to save time and money in assembly and installation. Enclosures are fully compatible with the most common types of standard enclosure market. Plain cover offers lots of space for printing and labels.



TEMPO



Market compatible dimensions

Quick-to-install hinge

and mounting pods



RoHS compliant and halogen-free

TEMPO ABS 1912

187 x 122

ABS: IP 65, IK 07



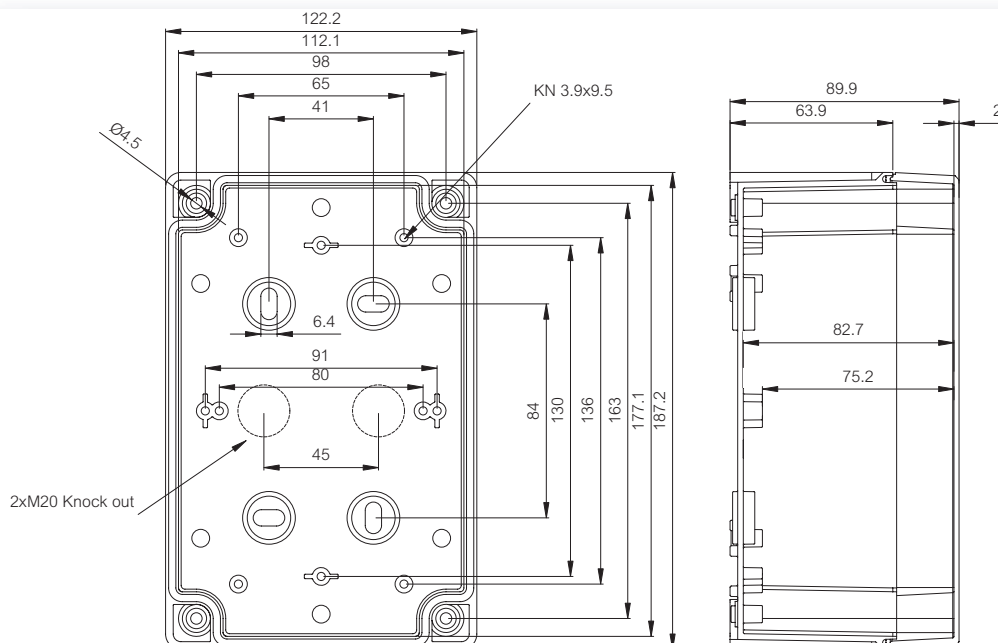
Including: Base with PUR gasket and screws for mounting plate/DIN-rail, cover with polyamide cover screws and plastic hinges.

Enclosures

Order symbol	Code	Dimensions	Description
TA191209	5814000	187 x 122 x 90	Enclosure, ABS • Grey cover
TA191209T	5814005	187 x 122 x 90	Enclosure, ABS • Clear transparent cover

Accessories

Order symbol	Code	Dimensions	Description
MP 1912	5518022	140 x 100	Mounting plate
MIV 10	5514082	35 x 100	DIN-35 Mounting rail
DH-3	8524032	35 x 140	DIN-35 Mounting rail
FP 10674	5510674		Wall fastening lug (2 pcs) • incl. screws
DPS 14553	6300006		Grey sealing plug set • (40 pcs)





TEMPO ABS 2016

201 x 163

ABS: IP 65, IK 07

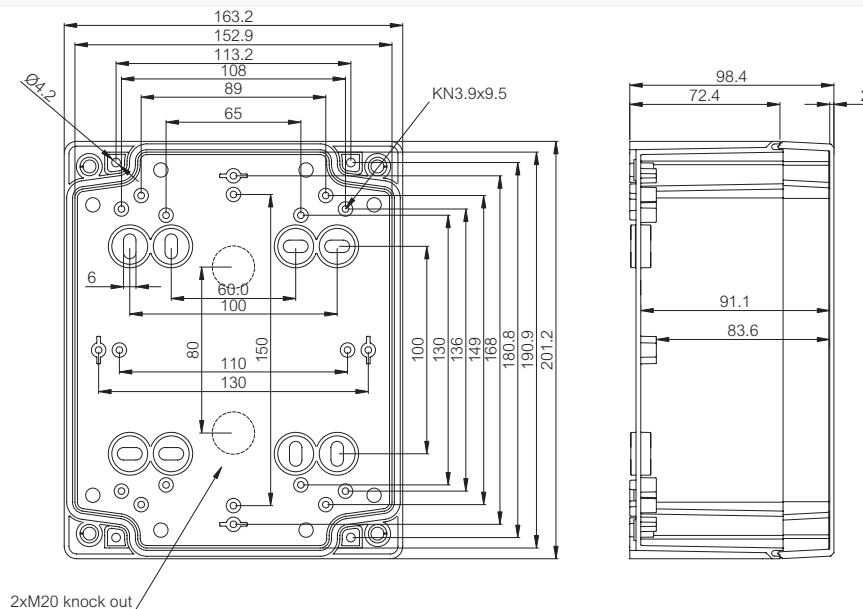
Including: Base with PUR gasket and screws for mounting plate/DIN-rail, cover with polyamide cover screws and plastic hinges.

Enclosures

Order symbol	Code	Dimensions	Description
TA201610	5814001	201 x 163 x 98	Enclosure, ABS ▪ Grey cover
TA201610T	5814006	201 x 163 x 98	Enclosure, ABS ▪ Clear transparent cover

Accessories

Order symbol	Code	Dimensions	Description
MP 2016	5518023	155 x 140	Mounting plate
DH-3	8524032	35 x 140	DIN-35 Mounting rail
ARH 2320	9822005	35 x 180	DIN-35 Mounting rail
FP 10674	5510674		Wall fastening lug (2 pcs) ▪ incl. screws
DPS 14553	6300006		Grey sealing plug set ▪ (40 pcs)



TEMPO ABS 2419

240 x 191

ABS: IP 65, IK 07



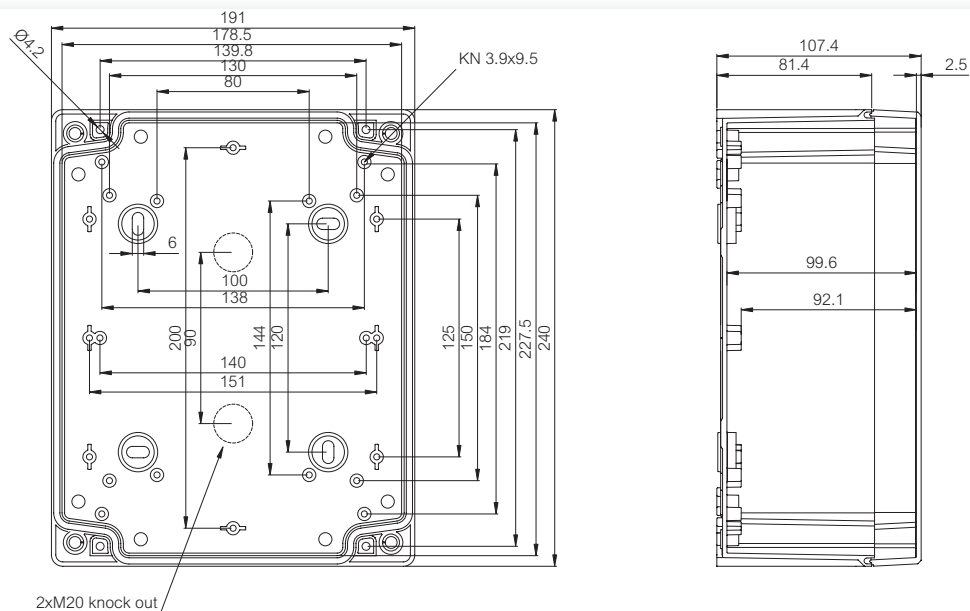
Including: Base with PUR gasket and screws for mounting plate/DIN-rail, cover with polyamide cover screws and plastic hinges.

Enclosures

Order symbol	Code	Dimensions	Description
TA241911	5814002	240 x 191 x 107	Enclosure, ABS • Grey cover
TA241911T	5814007	240 x 191 x 107	Enclosure, ABS • Clear transparent cover

Accessories

Order symbol	Code	Dimensions	Description
MP 2419	5518024	210 x 160	Mounting plate
EKV 12	3770647	35 x 160	DIN-35 Mounting rail
DR 210	5518027	35 x 210	DIN-35 Mounting rail
FP 10674	5510674		Wall fastening lug (2 pcs) • incl. screws
DPS 14553	6300006		Grey sealing plug set • (40 pcs)





TEMPO ABS 2924

289 x 239

ABS: IP 65, IK 07

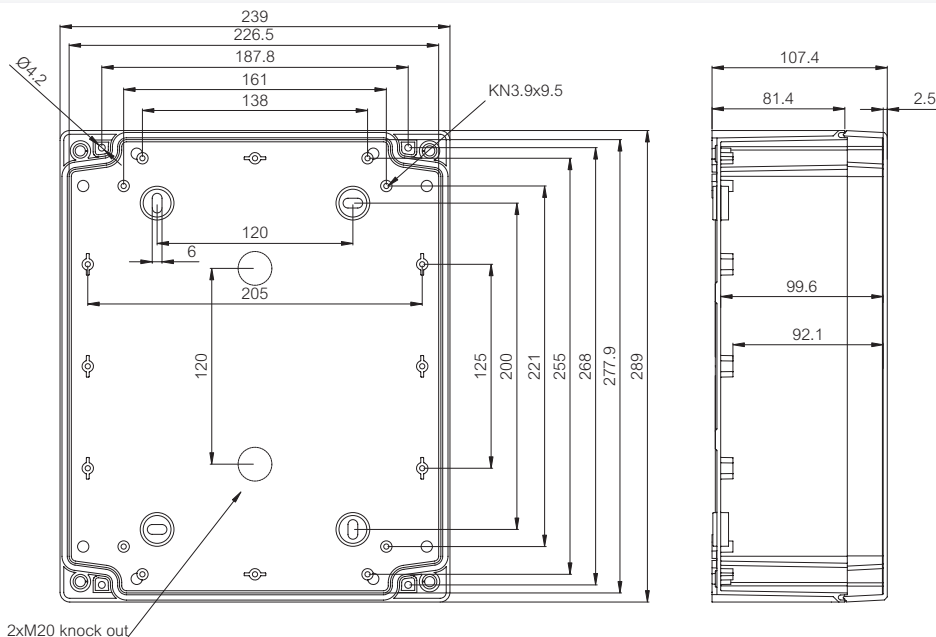
Including: Base with PUR gasket and screws for mounting plate/DIN-rail, cover with polyamide cover screws and plastic hinges.

Enclosures

Order symbol	Code	Dimensions	Description
TA292411	5814003	289 x 239 x 107	Enclosure, ABS ▪ Grey cover
TA292411T	5814008	289 x 239 x 107	Enclosure, ABS ▪ Clear transparent cover

Accessories

Order symbol	Code	Dimensions	Description
MP 2924	5518025	265 x 215	Mounting plate
DR 215	5518029	35 x 215	DIN-35 Mounting rail
DR 265	5518028	35 x 265	DIN-35 Mounting rail
FP 10674	5510674		Wall fastening lug (2 pcs) ▪ incl. screws
DPS 14553	6300006		Grey sealing plug set ▪ (40 pcs)



TEMPO ABS 3429

344 x 289

ABS: IP 65, IK 07



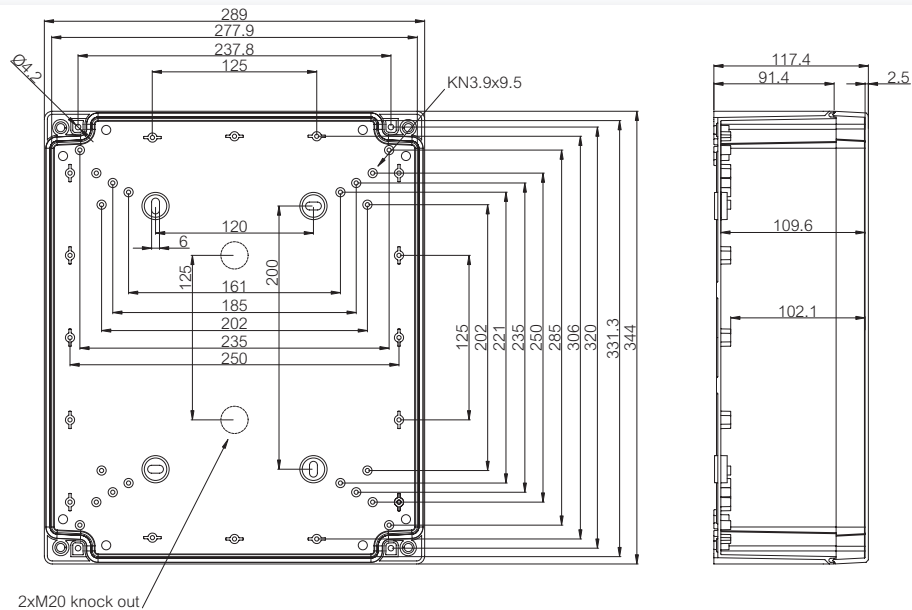
Including: Base with PUR gasket and screws for mounting plate/DIN-rail, cover with polyamide cover screws and plastic hinges.

Enclosures

Order symbol	Code	Dimensions	Description
TA342912	5814004	344 x 289 x 117	Enclosure, ABS • Grey cover
TA342912T	5814009	344 x 289 x 117	Enclosure, ABS • Clear transparent cover

Accessories

Order symbol	Code	Dimensions	Description
MP 3429	5518026	315 x 265	Mounting plate
ARH 2328	9822012	35 x 260	DIN-35 Mounting rail
DR 316	5518030	35 x 316	DIN-35 Mounting rail
FP 10674	5510674		Wall fastening lug (2 pcs) • incl. screws
DPS 14553	6300006		Grey sealing plug set • (40 pcs)



ACCESSORIES

Order symbol Code Description

Mounting plates (Galvanized steel, sheet thickness 1,5 mm)

MP 1912	5518022	140 x 100
MP 2016	5518023	155 x 140
MP 2419	5518024	210 x 160
MP 2924	5518025	265 x 215
MP 3429	5518026	315 x 265

DIN-35 Mounting rails (Galvanized steel, rail height 7,5 mm)

MIV 10	5514082	35 x 100
DH-3	8524032	35 x 140
EKV 12	3770647	35 x 160
DR 210	5518027	35 x 210
DR 215	5518029	35 x 215
ARH 2328	9822012	35 x 260
DR 265	5518028	35 x 265
DR 316	5518030	35 x 316

Hinges and wall mounting

TH T	5510021	Hinge set (2 pcs)
FP 10674	5510674	Wall fastening lug (2 pcs) • incl. screws
FEP 26150	7366150	Wall fastening cover plug

Cover screws

MBS HH	6300004	Cover screw set • Size 1912 only
MBS 18020	5510020	Cover screw set (4 pcs)

Polyamide wing head and sealing plug sets

MBS 14552	6300005	Grey wing head set • (40 pcs)
DPS 14553	6300006	Grey sealing plug set • (40 pcs)

Spacers and mounting screws

TS H15 SET	5510031	Spacer set • for mounting plate M4/15mm (4 pcs)
TS H30 SET	5510032	Spacer set • for mounting plate M4/30mm (4 pcs)
KN 3.9x9.5-10 SET	5614042	Mounting screw set • (10 pcs)



TEMPO technical information

Property	ABS
Ingress Protection (EN 60529)	IP 65
Impact Resistance (EN 62262)	IK 07
Temperature Range Celsius (short term) Fahrenheit	-40°...80°C -40°...175°F
Temperature Range Celsius (continuous) Fahrenheit	-40°...60°C -40°...140°F
Electrical Insulation	Totally insulated ☑
Light Grey Parts Colour	RAL 7035 Industry Grey
Transparent Clear PC Cover	Clear transparent
Cover Screws	Grey
Cover Screws	Polyamide (PA)
Gasket	PUR
Enclosure Flammability Rating	UL 94HB
Glow Wire Test (IEC 695-2-1) Self-extinguishing (PC)	650°C
Non-toxicity	Halogen Free
Chemical Resistance *	Good

Conformity to standards

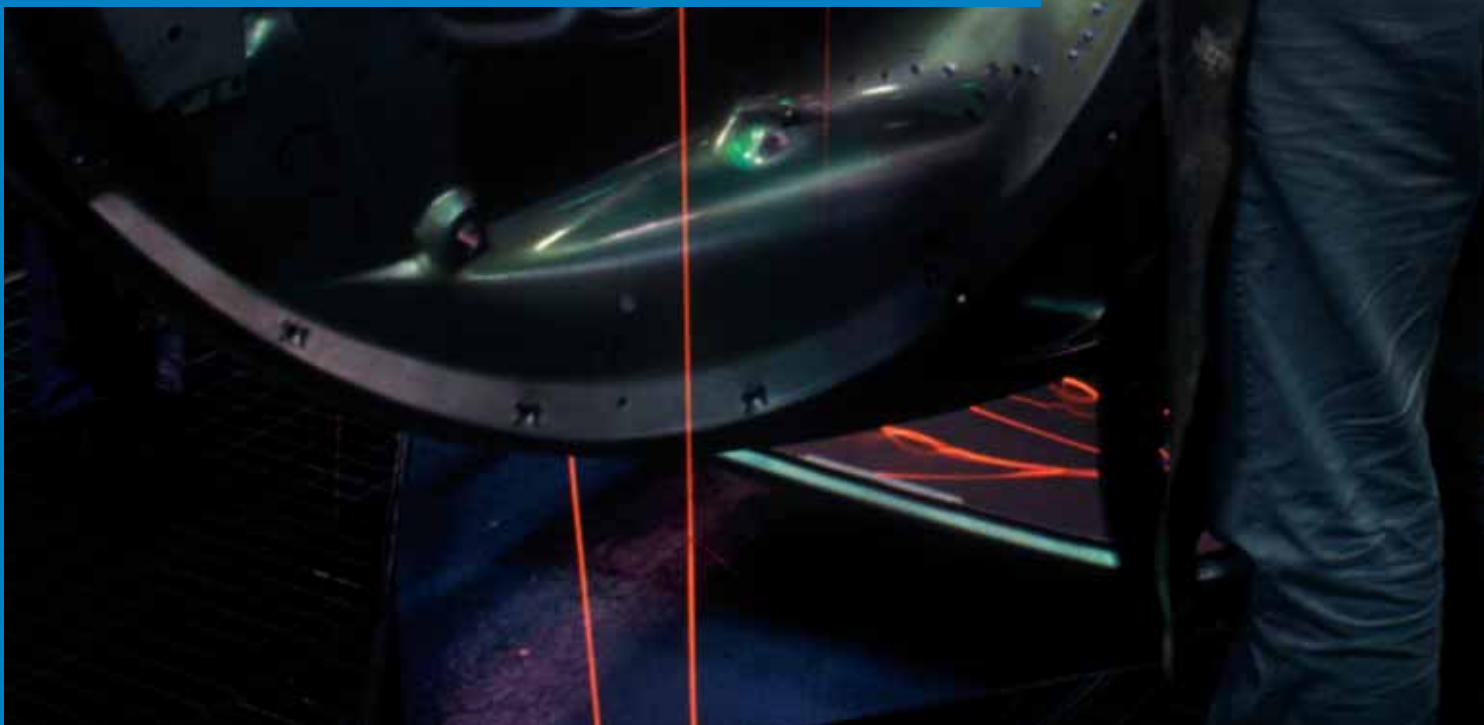
Europe Empty enclosures for low-voltage switchgear and controlgear assemblies EN 62208:2003 (50298:1998)
RoHS directive 2002/95/EC

Data subject to change without notice.

*Consult separate raw material data for more detailed information



FIBOX – Solutions for demanding environments



Fibox PICCOLO

PICCOLO range is especially designed to house push buttons, terminal blocks, motor starters and electronic devices. They are also ideal for mounting and protecting process control sensors and switches. PICCOLO range is available in polycarbonate and ABS.



PICCOLO



High quality surface
for printing



Designed for push-buttons



RoHS compliant and
halogen-free

PICCOLO PC/ABS B

110 x 80

PC: IP 66/IP 67, IK 08
ABS: IP 66/IP 67, IK 07

Including: Base with screws for mounting plate/DIN-rail, cover with PUR gasket and polyamide cover screws.

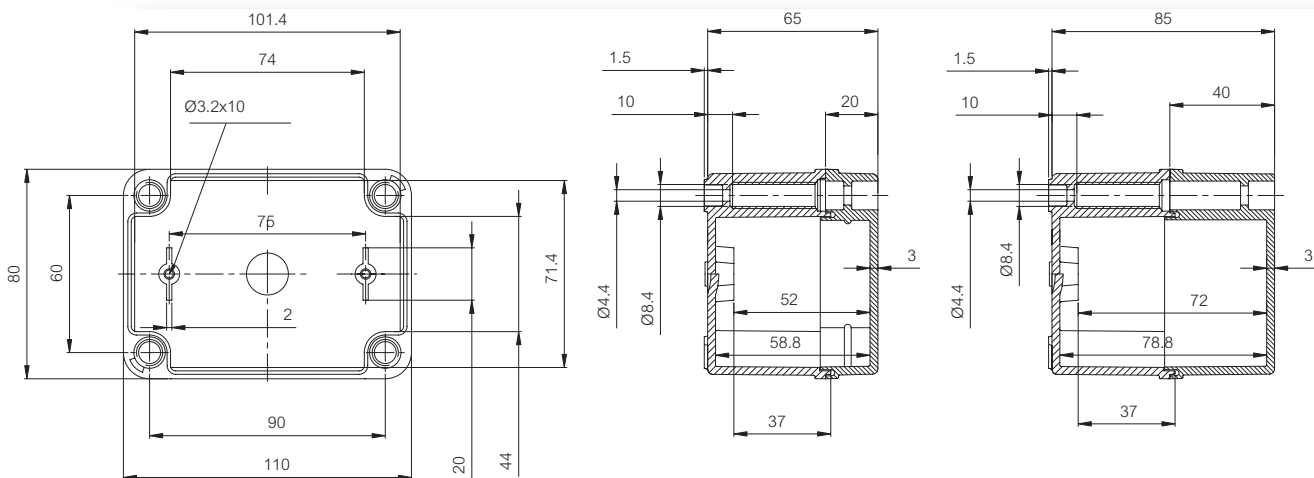


Enclosures

Order symbol	Code	Dimensions	Description
PC B 65 G	8724303	110 x 80 x 65	Enclosure, PC • Grey cover
PC B 85 G	8724304	110 x 80 x 85	Enclosure, PC • Grey cover
PC B 65 T	8724003	110 x 80 x 65	Enclosure, PC • Transparent cover
PC B 85 T	8724004	110 x 80 x 85	Enclosure, PC • Transparent cover
ABS B 65 G	8784303	110 x 80 x 65	Enclosure, ABS • Grey cover
ABS B 85 G	8784304	110 x 80 x 85	Enclosure, ABS • Grey cover
ABS B 65 T	8784003	110 x 80 x 65	Enclosure, ABS • Transparent cover
ABS B 85 T	8784004	110 x 80 x 85	Enclosure, ABS • Transparent cover

Accessories

Order symbol	Code	Dimensions	Description
B-MP	8524060	80 x 54	Mounting plate
B-3	8524030	35 x 80	DIN-35 Mounting rail
FP 22040	8522340		Wall fastening lug (2 pcs) • incl. screws





PICCOLO PC/ABS C

140 x 80

PC: IP 66/IP 67, IK 08
ABS: IP 66/IP 67, IK 07

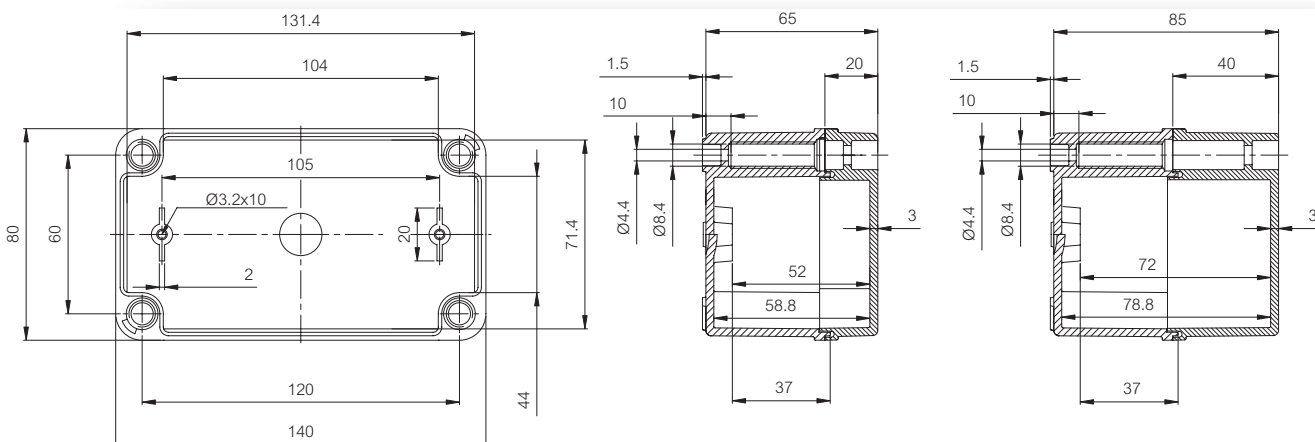
Including: Base with screws for mounting plate/DIN-rail, cover with PUR gasket and polyamide cover screws.

Enclosures

Order symbol	Code	Dimensions	Description
PC C 65 G	8724305	140 x 80 x 65	Enclosure, PC • Grey cover
PC C 85 G	8724306	140 x 80 x 85	Enclosure, PC • Grey cover
PC C 65 T	8724005	140 x 80 x 65	Enclosure, PC • Transparent cover
PC C 85 T	8724006	140 x 80 x 85	Enclosure, PC • Transparent cover
ABS C 65 G	8784305	140 x 80 x 65	Enclosure, ABS • Grey cover
ABS C 85 G	8784306	140 x 80 x 85	Enclosure, ABS • Grey cover
ABS C 65 T	8784005	140 x 80 x 65	Enclosure, ABS • Transparent cover
ABS C 85 T	8784006	140 x 80 x 85	Enclosure, ABS • Transparent cover

Accessories

Order symbol	Code	Dimensions	Description
C-MP	8524061	110 x 54	Mounting plate
CHM-3	8524031	35 x 110	DIN-35 Mounting rail
FP 22040	8522340		Wall fastening lug (2 pcs) • incl. screws



PICCOLO PC/ABS D

170 x 80

PC: IP 66/IP 67, IK 08
ABS: IP 66/IP 67, IK 07



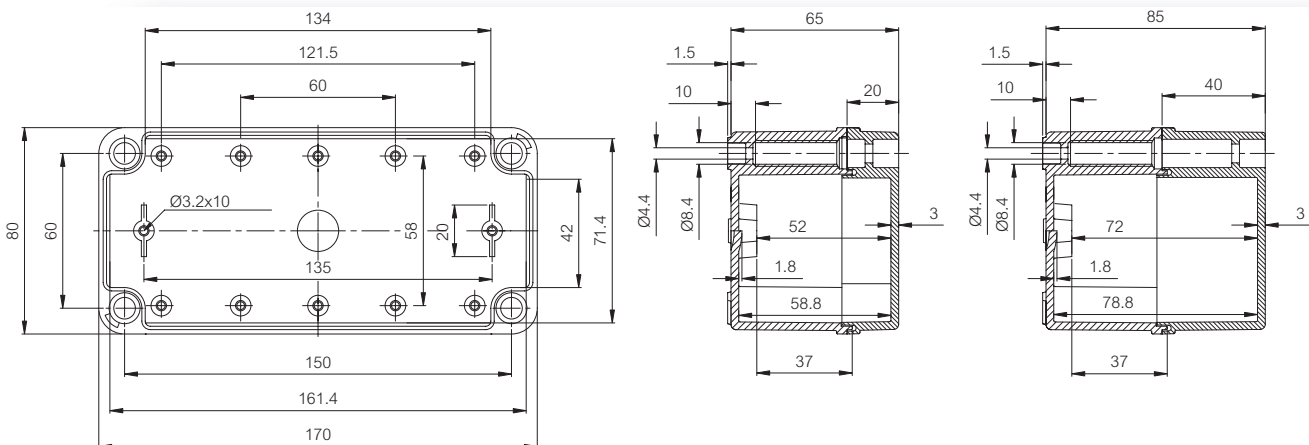
Including: Base with screws for mounting plate/DIN-rail, cover with PUR gasket and polyamide cover screws.

Enclosures

Order symbol	Code	Dimensions	Description
PC D 65 G	8724307	170 x 80 x 65	Enclosure, PC • Grey cover
PC D 85 G	8724308	170 x 80 x 85	Enclosure, PC • Grey cover
PC D 65 T	8724007	170 x 80 x 65	Enclosure, PC • Transparent cover
PC D 85 T	8724008	170 x 80 x 85	Enclosure, PC • Transparent cover
ABS D 65 G	8784307	170 x 80 x 65	Enclosure, ABS • Grey cover
ABS D 85 G	8784308	170 x 80 x 85	Enclosure, ABS • Grey cover
ABS D 65 T	8784007	170 x 80 x 65	Enclosure, ABS • Transparent cover
ABS D 85 T	8784008	170 x 80 x 85	Enclosure, ABS • Transparent cover

Accessories

Order symbol	Code	Dimensions	Description
D-MP	8524062	140 x 54	Mounting plate
DH-3	8524032	35 x 140	DIN-35 Mounting rail
FP 22040	8522340		Wall fastening lug (2 pcs) • incl. screws





PICCOLO PC/ABS F

230 x 80

PC: IP 66/IP 67, IK 08
ABS: IP 66/IP 67, IK 07

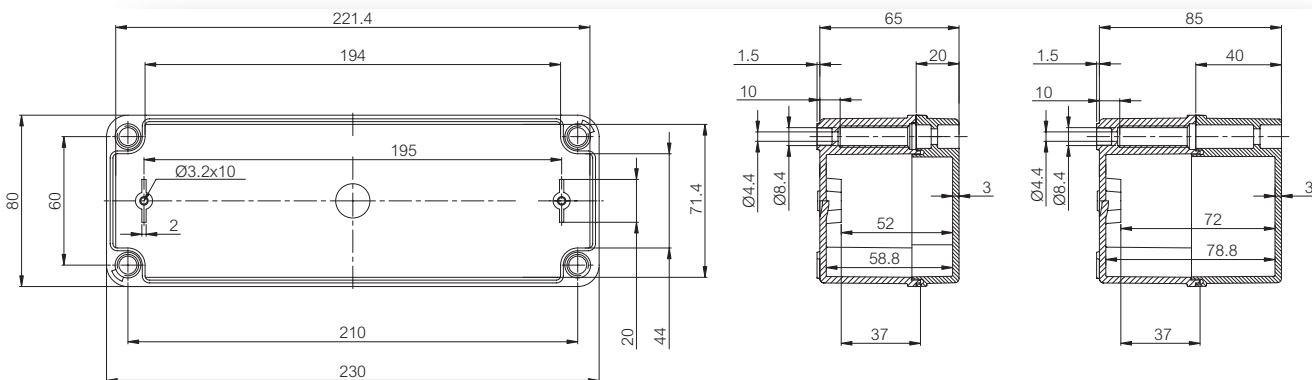
Including: Base with screws for mounting plate/DIN-rail, cover with PUR gasket and polyamide cover screws.

Enclosures

Order symbol	Code	Dimensions	Description
PC F 65 G	8724311	230 x 80 x 65	Enclosure, PC • Grey cover
PC F 85 G	8724312	230 x 80 x 85	Enclosure, PC • Grey cover
PC F 65 T	8724011	230 x 80 x 65	Enclosure, PC • Transparent cover
PC F 85 T	8724012	230 x 80 x 85	Enclosure, PC • Transparent cover
ABS F 65 G	8784311	230 x 80 x 65	Enclosure, ABS • Grey cover
ABS F 85 G	8784312	230 x 80 x 85	Enclosure, ABS • Grey cover
ABS F 65 T	8784011	230 x 80 x 65	Enclosure, ABS • Transparent cover
ABS F 85 T	8784012	230 x 80 x 85	Enclosure, ABS • Transparent cover

Accessories

Order symbol	Code	Dimensions	Description
F-MP	8524063	200 x 54	Mounting plate
FM-3	8524033	35 x 200	DIN-35 Mounting rail
FP 22040	8522340		Wall fastening lug (2 pcs) • incl. screws



PICCOLO PC/ABS H

170 x 140

PC: IP 66/IP 67, IK 08
ABS: IP 66/IP 67, IK 07

Including: Base with screws for mounting plate/DIN-rail, cover with PUR gasket and polyamide cover screws.

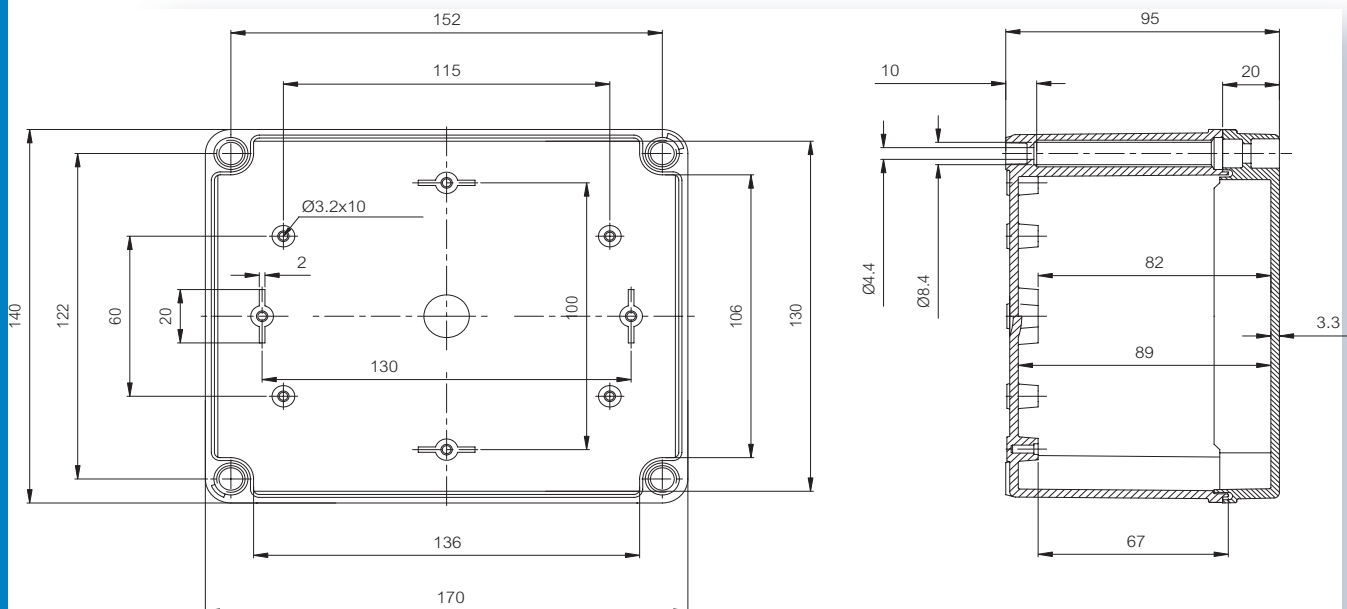


Enclosures

Order symbol	Code	Dimensions	Description
PC H 95 G	8724315	170 x 140 x 95	Enclosure, PC • Grey cover
PC H 95 T	8724015	170 x 140 x 95	Enclosure, PC • Transparent cover
ABS H 95 G	8784315	170 x 140 x 95	Enclosure, ABS • Grey cover
ABS H 95 T	8784015	170 x 140 x 95	Enclosure, ABS • Transparent cover

Accessories

Order symbol	Code	Dimensions	Description
H-MP	8524064	125 x 94	Mounting plate
CHM-3	8524031	35 x 110	DIN-35 Mounting rail
DH-3	8524032	35 x 140	DIN-35 Mounting rail
FP 22046	8522346		Wall fastening lug (4 pcs) • incl. screws





PICCOLO PC/ABS M

230 x 140

PC: IP 66/IP 67, IK 08
ABS: IP 66/IP 67, IK 07

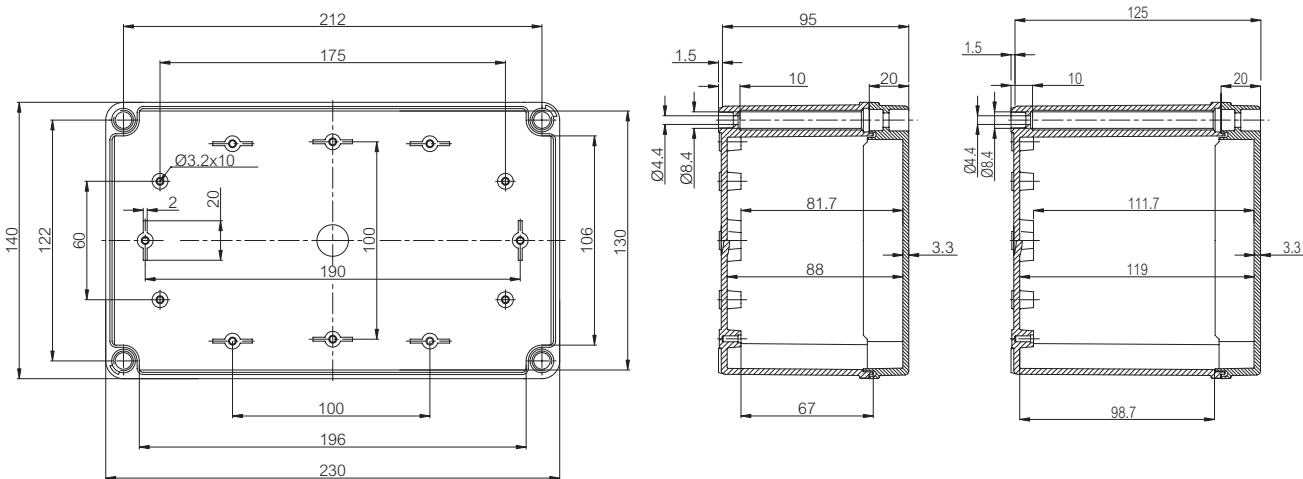
Including: Base with screws for mounting plate/DIN-rail, cover with PUR gasket and polyamide cover screws.

Enclosures

Order symbol	Code	Dimensions	Description
PC M 95 G	8724318	230 x 140 x 95	Enclosure, PC • Grey cover
PC MH 125 G	8724319	230 x 140 x 125	Enclosure, PC • Grey cover
PC M 95 T	8724018	230 x 140 x 95	Enclosure, PC • Transparent cover
PC MH 125 T	8724019	230 x 140 x 125	Enclosure, PC • Transparent cover
ABS M 95 G	8784318	230 x 140 x 95	Enclosure, ABS • Grey cover
ABS MH 125 G	8784319	230 x 140 x 125	Enclosure, ABS • Grey cover
ABS M 95 T	8784018	230 x 140 x 95	Enclosure, ABS • Transparent cover
ABS MH 125 T	8784019	230 x 140 x 125	Enclosure, ABS • Transparent cover

Accessories

Order symbol	Code	Dimensions	Description
M-MP	8524065	185 x 94	Mounting plate
CHM-3	8524031	35 x 110	DIN-35 Mounting rail
FM-3	8524033	35 x 200	DIN-35 Mounting rail
FP 22046	8522346		Wall fastening lug (4 pcs) • incl. screws



ACCESSORIES

Order symbol Code Description

Mounting plates (Galvanized steel, sheet thickness 1,5 mm)

B-MP	8524060	80 x 54
C-MP	8524061	110 x 54
D-MP	8524062	140 x 54
F-MP	8524063	200 x 54
H-MP	8524064	125 x 94
M-MP	8524065	185 x 94

DIN-35 Mounting rails (Galvanized steel, rail height 7,5 mm)

B-3	8524030	35 x 80
CHM-3	8524031	35 x 110
DH-3	8524032	35 x 140
FM-3	8524033	35 x 200

Hinges and wall mounting

PA 22039	8522339	Hinges (2 pcs) ▪ incl. screws
TH A	9802001	Grey plastic hinges (2 pcs) ▪ incl. mounting screws
FP 22040	8522340	Wall fastening lug (2 pcs) ▪ incl. screws
FP 22046	8522346	Wall fastening lug (4 pcs) ▪ incl. screws

Cover and mounting screws

S-20	8522001	Cover screw, grey, polyamide ▪ for 20mm cover
S-40	8522002	Cover screw, grey, polyamide ▪ for 40mm cover
MB S-20KN	8524001	Screw set ▪ incl. 4x S-20 + 4x KN 3.9x9.5
MB S-40KN	8524002	Screw set ▪ incl. 4x S-40 + 4x KN 3.9x9.5
KN 3.9x9.5	5514042	Mounting screw



PICCOLO technical information

Property	Polycarbonate (PC)	ABS
Ingress Protection (EN 60529)	IP 66/IP 67	IP 66/IP 67
Impact Resistance (EN 62262)	IK 08	IK 07
Temperature Range Celsius (short term)	-40°...120°C	-40°...80°C
Temperature Range Celsius (continuous)	-40°...80°C	-40°...60°C
Temperature Range Fahrenheit (short term)	-40°...250°F	-40°...175°F
Temperature Range Fahrenheit (continuous)	-40°...175°F	-40°...140°F
Electrical Insulation	Totally insulated ☐	Totally insulated ☐
Light Grey Parts Colour	RAL 7035 Industry Grey	RAL 7035 Industry Grey
Transparent Clear PC Cover	Clear transparent	Clear transparent
Cover Screws	RAL 7035	RAL 7035
Cover Screws	Polyamide (PA)	Polyamide (PA)
Gasket	PUR	PUR
Enclosure Flammability Rating	UL 94-5V	UL 94HB
Glow Wire Test (IEC 695-2-1) Self-extinguishing (PC)	960°C	650°C
Non-toxicity	Halogen Free	Halogen Free
UV resistance	UL 508 720 hours in "Weather-ometer"	
Chemical Resistance *	Good	Good

Data subject to change without notice.

* Consult separate raw material data for more detailed information

Conformity to standards

USA Enclosures for Electrical Equipment
PC: UL Type 1, 4X, 6, 12 or 13; UL File E75645 Vol 1 Sec 3;
UL 746C-5VA flame test (UL 50/508)

ABS: NEMA 1, 4X, 6, 12 or 13

Canada Industrial Control Equipment
Enclosures for Electrical Equipment/ULC

Europe Empty enclosures for low-voltage switchgear and controlgear assemblies EN 62208:2003 (50298:1998)

Europe Safety of Information Technology Equipment
EN 60950
RoHS directive 2002/95/EC

Russia GostR - Gost Russian certificate of conformity