



Features:

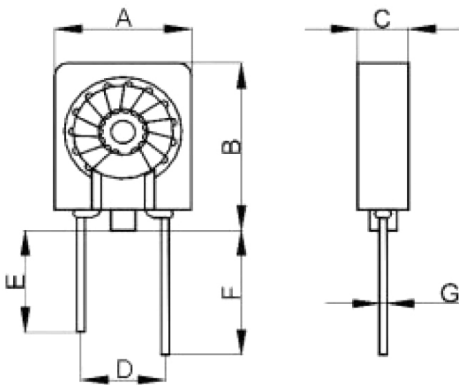
- Unique configuration
- Ideal for EMI filters
- Core is Ni-Zn ferrite
- Base material is Phenolic
- Highly accurate dimensions and taped for automatic inserting

Application

- EMI line filters
- Personal computers
- Microcomputer and peripheral devices
- VCD, DVD and TV circuits
- Monitors
- Keyboards / wireless keyboards



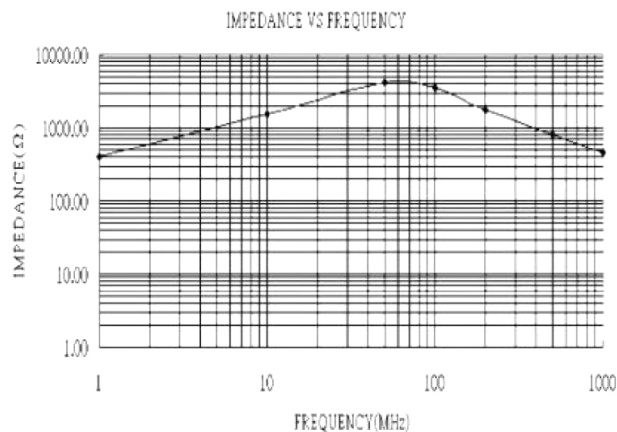
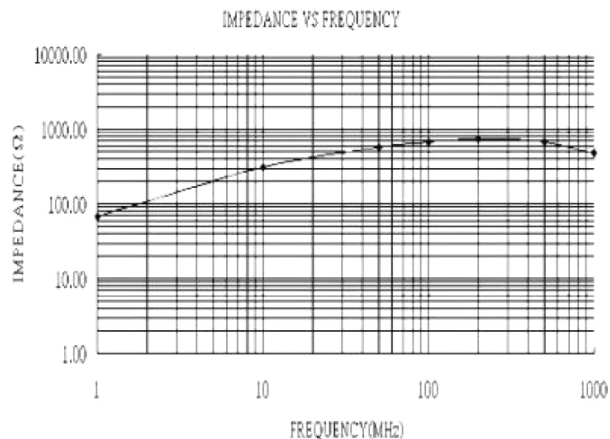
Dimension



Series	A (Max.)	B (Max.)	C (Max.)	D	E	F	G
MCAS809535	8	9.5	3.5	5 ± 0.5	15.5 ± 1	19.5 ± 1	0.6 ± 0.3

Dimensions : (Millimetres)

Typical Curve



Electrical Characteristics

Part Number	Inductance (μH)	Test Frequency (KHz)	Rated DC Current (A) Max.	Rated Voltage (V)
AS809535-100U	10	1	0.5	50
AS809535-101U	100			
AS809535-121U	120			
AS809535-220U	22			
AS809535-330U	33			
AS809535-390U	39			
AS809535-470U	47			
AS809535-560U	56			
AS809535-600U	60			
AS809535-820U	82			

Important Notice : This data sheet and its contents (the "Information") belong to the members of the Premier Farnell group of companies (the "Group") or are licensed to it. No licence is granted for the use of it other than for information purposes in connection with the products to which it relates. No licence of any intellectual property rights is granted. The Information is subject to change without notice and replaces all data sheets previously supplied. The Information supplied is believed to be accurate but the Group assumes no responsibility for its accuracy or completeness, any error in or omission from it or for any use made of it. Users of this data sheet should check for themselves the Information and the suitability of the products for their purpose and not make any assumptions based on information included or omitted. Liability for loss or damage resulting from any reliance on the Information or use of it (including liability resulting from negligence or where the Group was aware of the possibility of such loss or damage arising) is excluded. This will not operate to limit or restrict the Group's liability for death or personal injury resulting from its negligence. Multicomp is the registered trademark of the Group. © Premier Farnell plc 2012.