



5000 Series

Panel Meters



5015 ■ D.C. Moving Coil
5016R ■ A.C. Rectifier



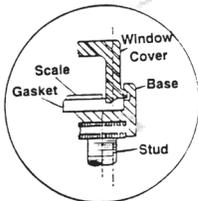
5025 ■ D.C. Moving Coil
5026 ■ A.C. Repulsion



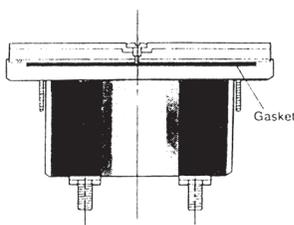
5035 ■ D.C. Moving Coil
5036 ■ A.C. Repulsion

FEATURES

■ **Gasket Sealing Design.** Dust resistant construction is a standard feature in the 5000 Series panel instruments. This unique sealing design provides exceptional gasket sealing while allowing for quick modification and scale changes while maintaining the integrity of the instrument. *External panel gasket available.



■ **Dustproof Lexan® Construction.** 5000 Series panel meters feature gasketed construction to seal out dust and other air-suspended damaging particles. The 5000 Series is made with UL 94V material. Ideal where impact and strength is required in harsh environments.



NOTE: Severe Duty meters are available to meet UL 1437 Requirements. To order add - UL after catalog number.

SPECIFICATIONS

ANSI Specifications: All meters meet ANSI Specifications C39.1
Overload: Voltmeters (AC and DC) - 50% momentary 20% sustained. Ammeters (AC and DC) momentary: 10 times the rated current for 10 consecutive intervals of .5 seconds with a 1 minute interval between successive applications; 20% for six hours.

Scale Data: 90 degree rotation.

Insulation Level: All meters 2600 V RMS.

Accuracy: All DC and AC: $\pm 2\%$ of full scale.

AC rectifier type $\pm 3\%$ of full scale (with 60 HS sine wave at 250°C). When standard 60 HZ iron vane ammeters are used at the extreme limits of 25 or 400 HZ, additional error (approx. 0.75%) may be experienced. Expanded scale voltmeters $\pm 2\%$ of full scale value.

METER TYPES AVAILABLE:

DC: Microammeters
Milliammeters
Ammeters
Millivoltmeters
Voltmeters
Pyrometers
Hourmeters

AC: Frequency Meters - Pointer type
Iron Vane or Rectifier type
Voltmeters
Ammeters
Hourmeters



HOW TO ORDER

To order Hoyt 5000 series panel meters use the appropriate ranges from the price sheet. AC meters require part numbers 5026 or 5036. DC part numbers 5025 or 5035.

ORDERING EXAMPLES:

1. 2-1/2", 300 VDC Voltmeter, zero left
Example: 5025, 0-300 VDC

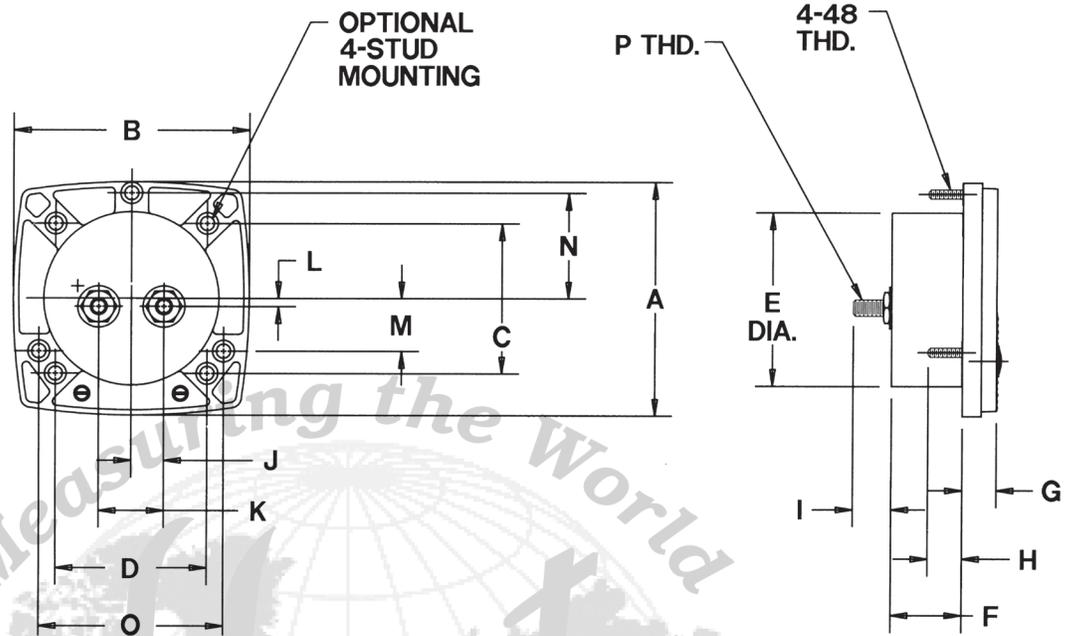
2. 3-1/2", 300 AAC Ammeter, zero left
Example: 5036, 5 AAC, 300 AAC



5000 Series

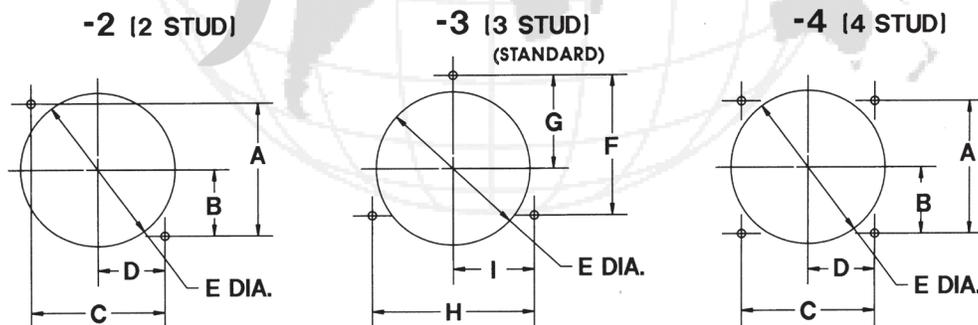
Panel Meters

DIMENSIONS



MODELS	A	B	C	D	E	F	G	H	I	J	K	L	M	N	O	P
5015/16R	1.76	1.76	1.31	1.31	1.50	1.08	0.48	0.50	0.50	0.48	0.97	-0.22	-	-	-	10-32
5025/26	2.71	2.71	1.88	1.88	2.08	1.06	0.47	0.50	0.50	0.48	0.97	0.00	0.61	1.22	2.11	1/4-28
5035/36	3.50	3.50	2.25	2.25	2.60	1.05	0.50	0.50	0.50	0.48	0.97	0.13	0.79	1.58	2.74	1/4-28

MOUNTING IN YOUR PRESENT PANEL OPENING



MODELS	A	B	C	D	E	F	G	H	I
5015/16R	1.31	0.66	1.31	0.66	1.59	-	-	-	-
5025/26	1.88	0.94	1.88	0.94	2.18	1.83	1.22	2.11	1.06
5035/36	2.25	1.12	2.25	1.12	2.66	2.37	1.58	2.74	1.37

The mounting studs on the 5000 Series can be ordered to fit your existing panel openings at no extra cost. The 5000 Series cases are interchangeable with a wide variety of competitive instruments. Optional stud placement configurations are shown above. This built-in interchangeability eliminates the need for drawing changes, setups, and re-drilling of panels...and it solves your instrument replacement problems.