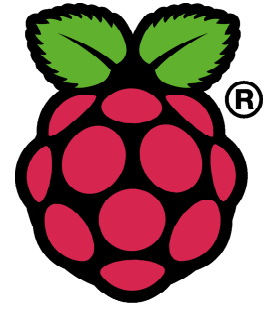


Raspberry Pi Power Supply



Features:

Built specifically for use with Raspberry Pi

Class II design 5vdc 1A output via Micro USB

Energy efficient to ErP stage 2



Description:

This 5vdc 1A UK Micro USB power supply is manufactured specifically for use with the Raspberry Pi device. It offers a highly efficient output meeting latest ErP stage 2 requirements and is safety approved. This unit has a fixed UK pin and a 1.8 metre output cable and features short circuit and over current protection as standard. This Raspberry Pi power supply has M.T.B.F of 50K hours at 25 degrees C.

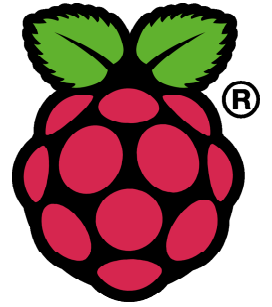


Part Number	RPI-PSU-UK-MK1	Leakage Current	shall not exceed 0.25mA
Output	5vdc 1A maximum	Input Power	7.72W max
Current Min.	0.01A	Input Current (RMS Max.)	0.18A max
Power (watts)	5W	Hi-Pot Spec	3000Vac 10mA 1 min. (I.P. to O.P.)
Line Reg	+/-5% at rated load	No load power consumption	0.3W max
Total Output Regulation	+/-5 % at 0—100% load	Operating Temperature	0 to 40 degrees C
Ripple & Noise (mV p-p)	200mV P-P	Storage Temperature	-20 to 80 degrees C
Protections	Over Current and Short Circuit	Operating Humidity	10% to 90%
Case Size	54 x 50 x 42mm	Safety Approvals	BS EN60950-1 / CE marked
Weight (approx.)	70g	EMC Standards	EN55022:2006+A1:2007 / EN6100-3-2 / EN6100-3-3
DC Cord	1.8 Metres	Pb-free	Yes RoHS Compliant
DC Plug	Micro USB	MTBF	50K Hours at 25 degrees C
Rated Input Voltage	100-240Vac		
Full Input Voltage Range	90-264Vac		
Rated Frequency	50-60Hz		
Full Frequency Range	47-63Hz		
Efficiency	68.17%		

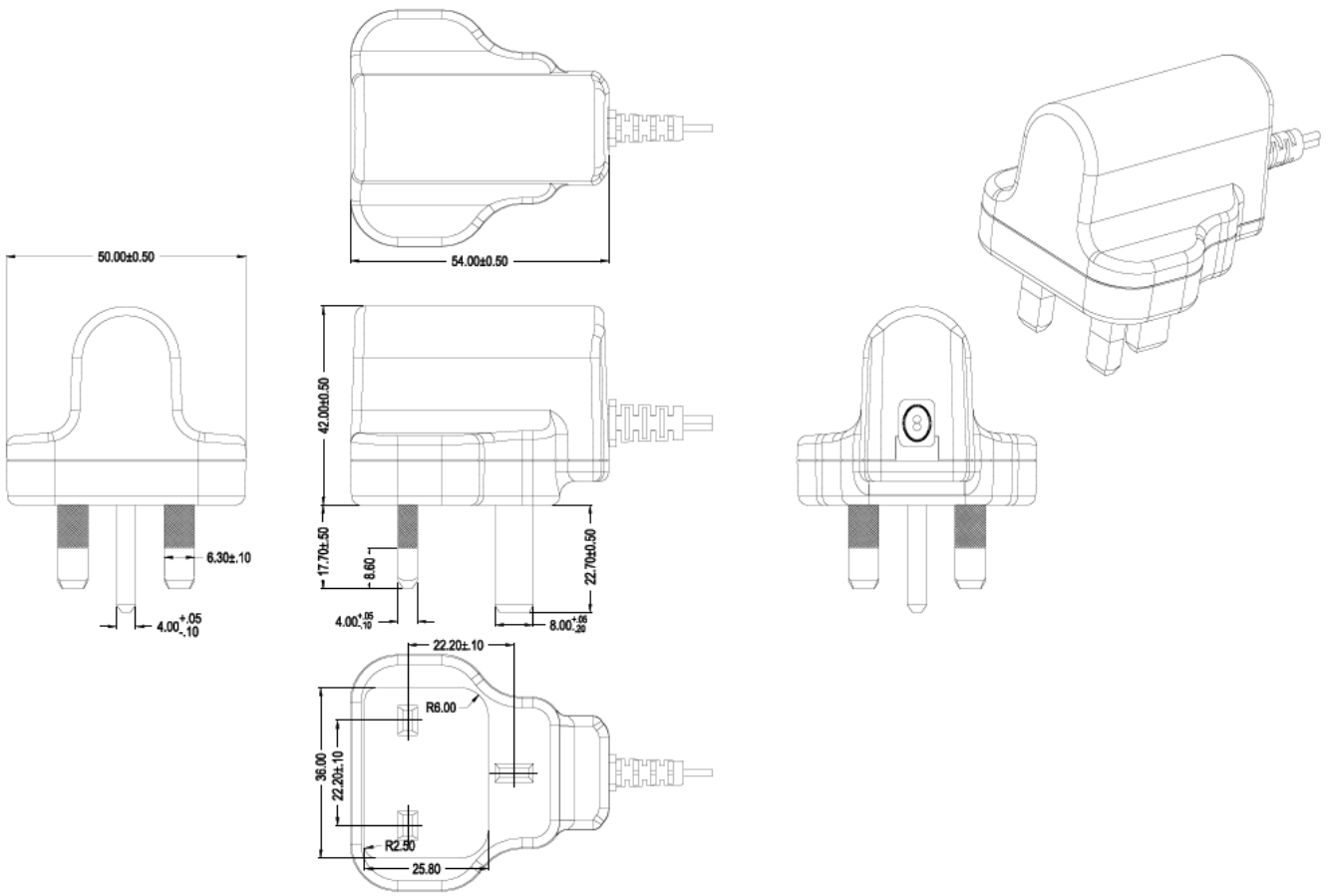
See mechanical drawing and DC cable drawing on page 2.

Full spec sheet on this PSU is available on request. Premier Farnell Ltd accepts no responsibility for typographical errors in the production of this leaflet. Product specifications are subject to change without notice

Raspberry Pi Power Supply



Mechanical drawing:



Output connector

