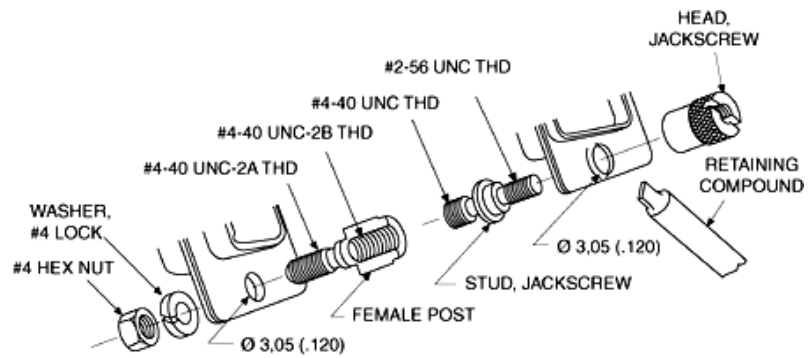
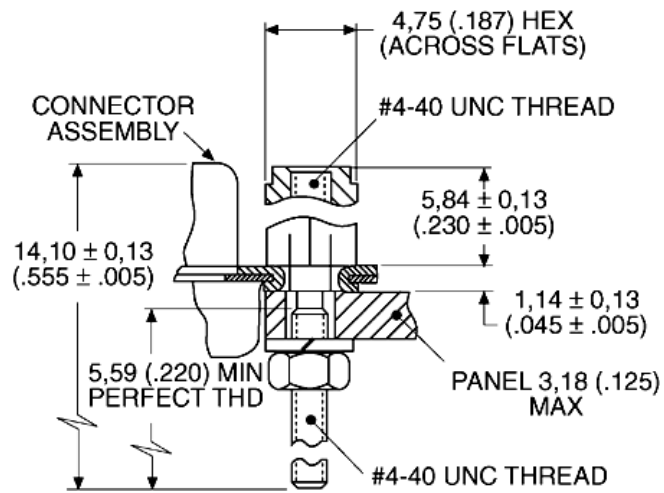




Part Number: D110551



Product Group	D Subminiature Accessories
Where Sold	Americas, Asia Pacific, Europe
D Sub Accessory type	Locking Hardware
Application Type	Commercial, Military/High Reliability, Space
Material	Stainless Steel
D Sub Accessory Style	Jackpost
Finish/Treatment	Passivated
Note 1	Kit consists of 2 posts, 2 hex nuts, 2 lock washers. Order 1 kit per connector.
Note 2	Jackpost is not compatible with rear panel mount connectors.
Footnote	Dimension are shown in mm (inch). Dimensions subject to change.
For more information	Please Contact Cannon Sales Department.