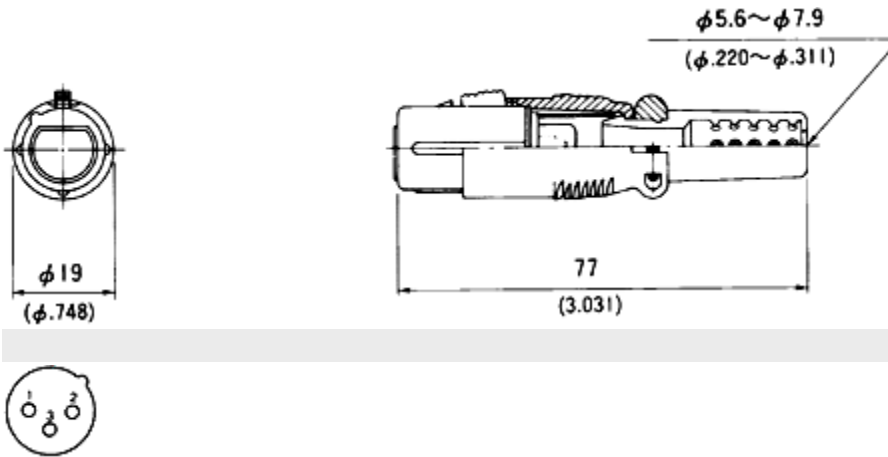




Part Number: 127007-0058
XLR Connector
RoHS Compliant



Product Family	Audio
Product Group	Audio XLR
Product Description	Most reliable commercial audio connector. Rigid metal shell with rubber insulator.
Product Series	Plug
Contact Arrangement	3
Gender	Female
Shell Color	Silver
Contact Plating	Copper Alloy
Current Rating	15 A
Service Voltage (AC)	133 V
Dielectric Withstanding Voltage (AC)	1400 V
Contact Resistance	5 milliohms max.
Insulation Resistance	5,000 megohms min. at 500 V DC

Temperature Rating	-55°C to + 125°C (-67°F to 257°F)
Wire Accommodation Reference AWG	#14
Wire Cross Section (max.)	2.0 mm ²
Stranded Wire O.D. (max.)	2.1 mm
Contact Material	Copper Alloy
Socket Insulator Material	Chloroprene
Pin Insulator Material	Nylon
Shell Material	Aluminum Alloy (Satin Nickel)
Barrel Material	Steel
Bushing Material	Chloroprene