

REV.	CNN	CNN DESCRIPTION	Date	Check in
09	-	-	11/10/2012	Shaun Baron

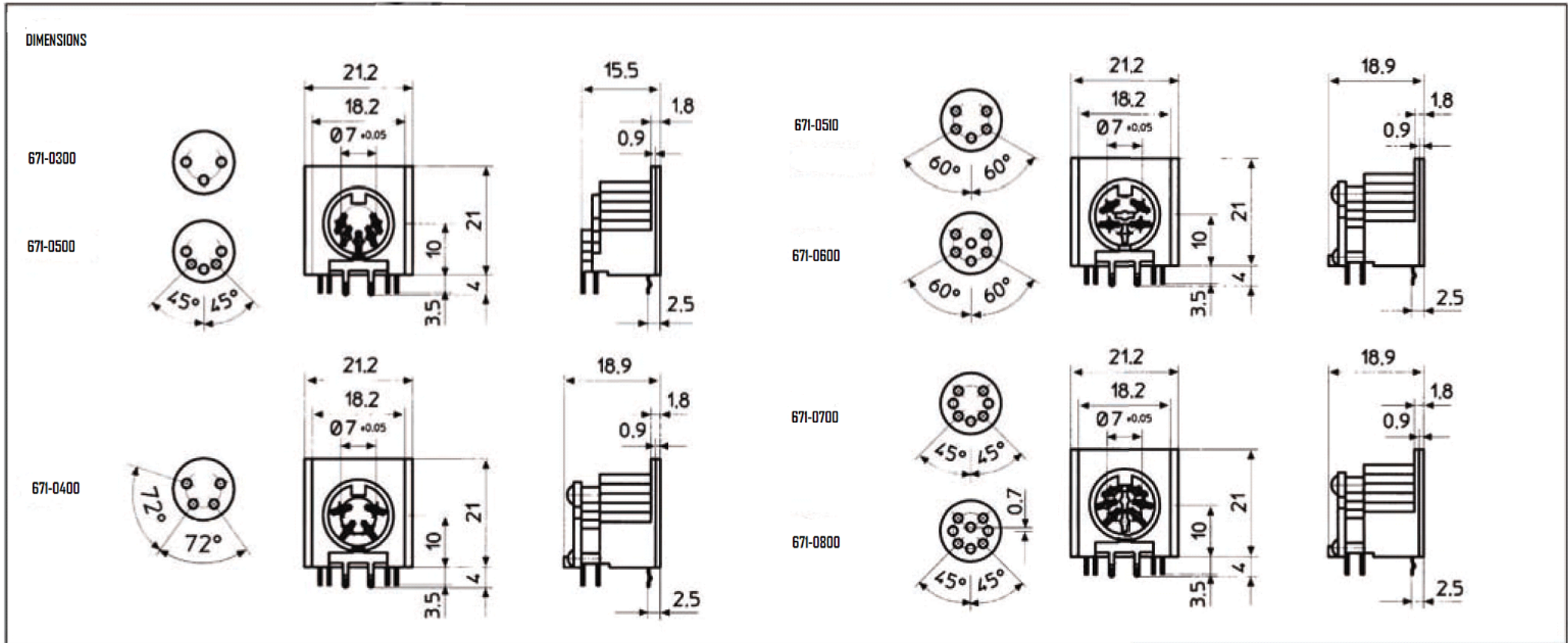
Printed circuit board - 90 Deg DIN Sockets - 671 Series  
 A range of right-angled printed circuit board mounting DIN sockets which enable any DIN plug to be interfaced with a PCB

Material	Black PA66 UL94HB
Contacts	CuZn 37 + Ni +Sn
<b>Electrical</b>	
Rated Voltage	34 V a.c. or d.c.
Current Rating	4.A
Contact Resistance	10 mΩ max
<b>Climatic</b>	
Temperature Range	-25°C to +70°C

Type	Deltron No
3 Way	671-0300
4 Way 72°	671-0400
5 Way 45°	671-0500
5 Way 60°	671-0510
6 Way 60°	671-0600
7 Way 45°	671-0700
8 Way 45°	671-0800



RoHS  
2002/95/EC  
Compliant



Tel No. +44(0)1724 273200 Website www.dem-uk.com



PROPRIETARY AND CONFIDENTIAL  
 THE INFORMATION CONTAINED IN THIS DRAWING IS THE SOLE PROPERTY OF ALPHA 3 MANUFACTURING.  
 ANY REPRODUCTION IN PART OR AS A WHOLE WITHOUT THE WRITTEN PERMISSION OF ALPHA 3 MANUFACTURING IS PROHIBITED.  
**DEM** DEM Manufacturing, Deltron Emcon House  
 Hargreaves Way, Sawcliffe Ind. Park,  
 Scunthorpe, North Lincolnshire, DN15 8RF, UK

UNLESS OTHERWISE SPECIFIED:  
 DIMENSIONS ARE IN MILLIMETRES.  
 TOLERANCE:  
**NO DECIMAL PLACES ±0.2mm**  
**1 DECIMAL PLACE ±0.1mm**  
**2 DECIMAL PLACES ±0.05mm**  
**ANGULAR TOLERANCE: ±1°**

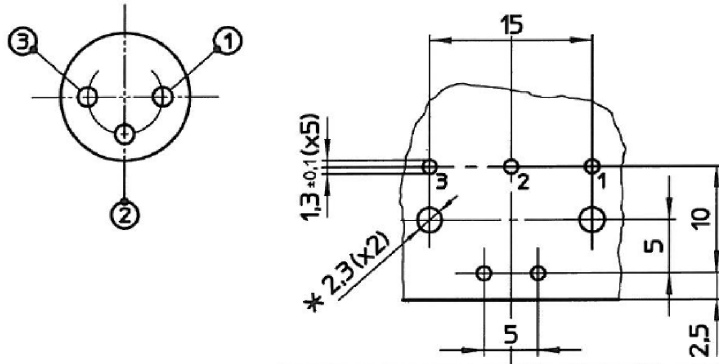
FINISH . . . . .  
 DEBURR AND BREAK SHARP EDGES  
 IF IN DOUBT ASK DO NOT SCALE DRAWING  
 MATERIAL

DRAWN BY W.Coxon  
 APPROVED BY  
 THIRD ANGLE PROJECTION

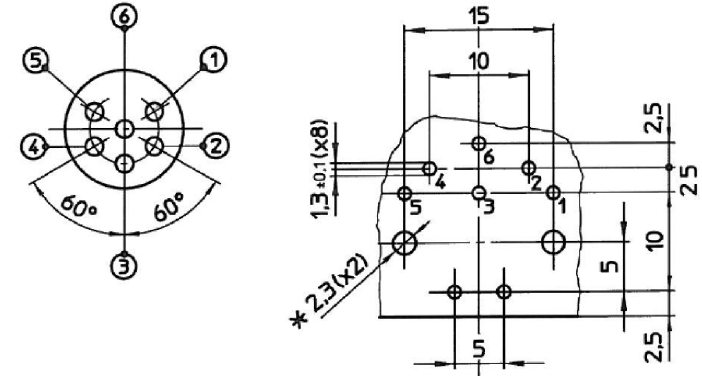
SHEET 1 OF 2  
 SCALE 1:2  
 A4

TITLE PCB - DIN Sockets  
 General Specification  
 671 Series  
 DRAWING NO. 671 DIN Specification  
 ISSUE 09  
 Release

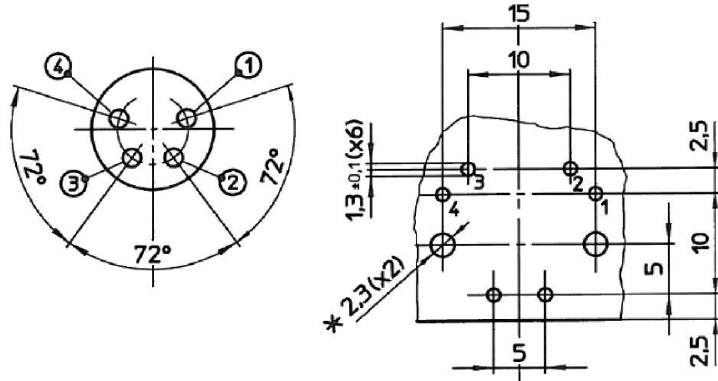
### 671-0300 Foot Print



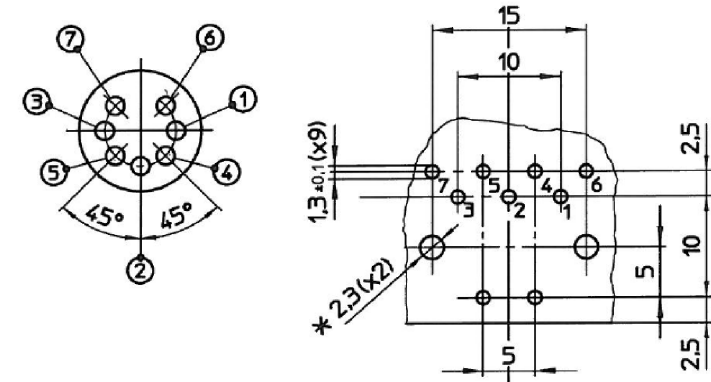
### 671-0600 Foot Print



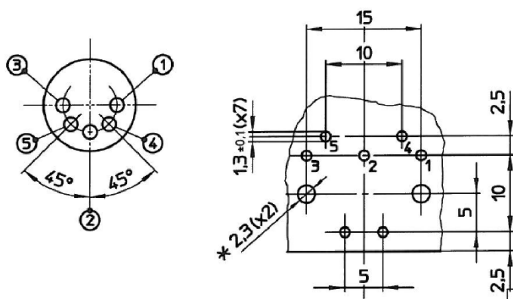
### 671-0400 Foot Print



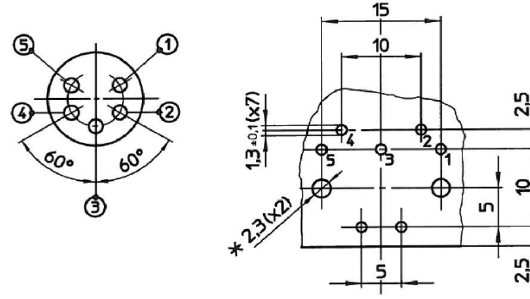
### 671-0700 Foot Print



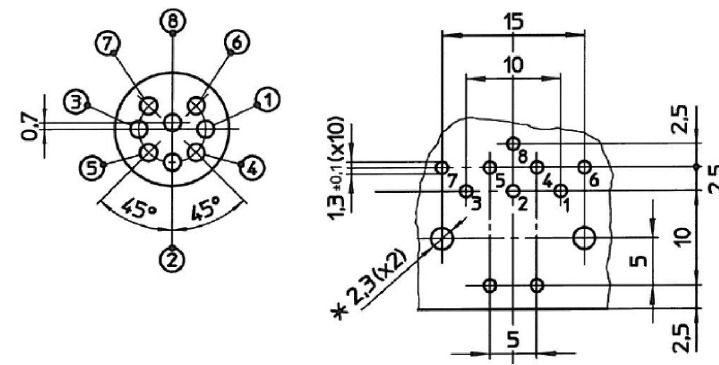
### 671-0500 Foot Print



### 671-0510 Foot Print



### 671-0800 Foot Print



Tel No. +44(0)1724 273200 Website www.dem-uk.com



PROPRIETARY AND CONFIDENTIAL  
THE INFORMATION CONTAINED IN THIS DRAWING IS THE SOLE PROPERTY OF  
ALPHA 3 MANUFACTURING.  
ANY REPRODUCTION IN PART OR AS A WHOLE WITHOUT THE WRITTEN PERMISSION OF  
ALPHA 3 MANUFACTURING IS PROHIBITED.



UNLESS OTHERWISE SPECIFIED:  
DIMENSIONS ARE IN MILLIMETRES.  
TOLERANCE:  
NO DECIMAL PLACES ±0.2mm  
1 DECIMAL PLACE ±0.1mm  
2 DECIMAL PLACES ±0.05mm  
ANGULAR TOLERANCE: ±1°

FINISH  
DEBURR AND BREAK SHARP EDGES  
DRAWN BY W.Coxon  
APPROVED BY  
THIRD ANGLE PROJECTION  
IF IN DOUBT ASK  
DO NOT SCALE DRAWING

MATERIAL

SCALE 1:2  
A4



SHEET 2 OF 2  
SCALE 1:2  
A4

TITLE  
PCB - DIN Sockets  
General Specification  
671 Series  
DRAWING NO. 671 DIN  
Specification

ISSUE 09  
Release