

High Power LED



Features:

- High Luminous Flux
- Excellent Heat Transfer
- Versatile Package With Lens

Maximum Ratings at Ta=25°C

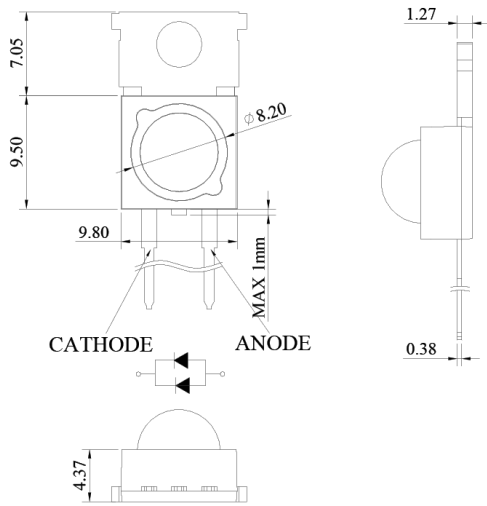
Reverse Voltage (<100µA)	: 5V
D.C. Forward Current	: 700mA
Pulse Current (tp <100µS, duty cycle = 0.005)*1	: 1,000mA
Operating Temperature Range	: -40°C to +75°C
Storage Temperature Range	: -40°C to +105°C
Soldering Temperature Reflow Soldering	: 260°C for 10 secs
Soldering Temperature Hand Soldering	: 350°C for 3 secs

Electrical & Optical Characteristics at Ta = 25°C

Lens Type	Emitted Colour	Package	Luminous Flux (lm) at 700mA		Forward Voltage (V) at 700mA		Wavelength (nm)		Thermal Resistance Junction to Case (C/W)	Thermal Resistance Junction to Board (C/W)	Reverse Current (µA)	Temp Co-Efficient of Forward Voltage (mV/°C)	
			Min.	Max.	Min.	Max.	Min.	Max.					
Round Lens (60)	Blue	Dip SMT SMT & Heat Sink	7	23.5	2.7	4.25	460	475	10	-	100	-2	
									-	20			
	Green		30.5	67	2.7	4.25	520	535	10	-			
										-			20
	Yellow		23.5	51.6	1.8	2.8	585	595	10	-			
										-			20
	Red		23.5	51.6	1.8	2.8	620	630	10	-			
								-	20				
	White					5,000	9,000	10	-				
								-	20				
	Warm White					2,700	3,700	10	-				
								-	20				

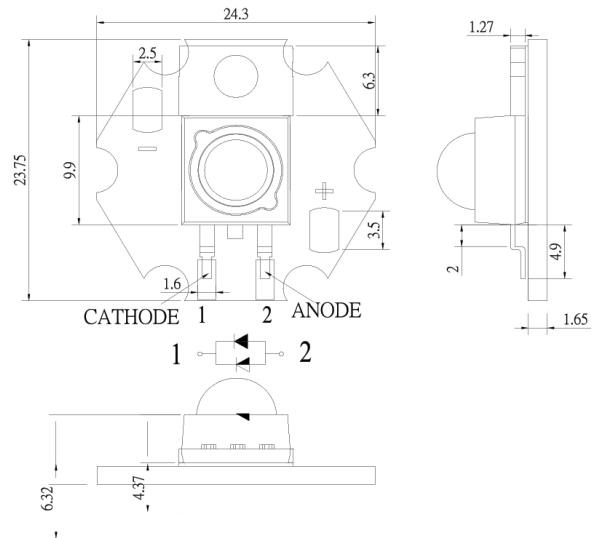


Round Lens Dip Package Outlines

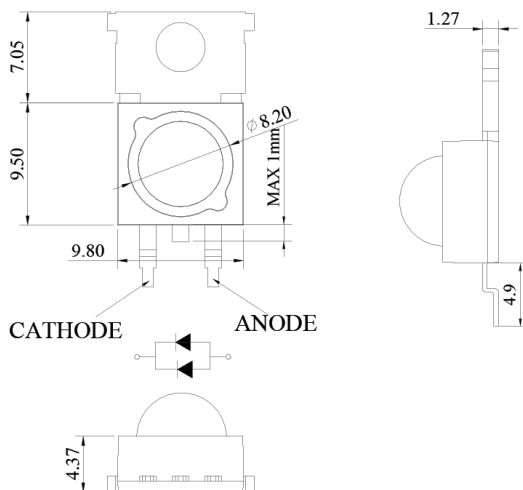


Dimensions : Millimetres

Round Lens SMT & Heat Sink Package Outline

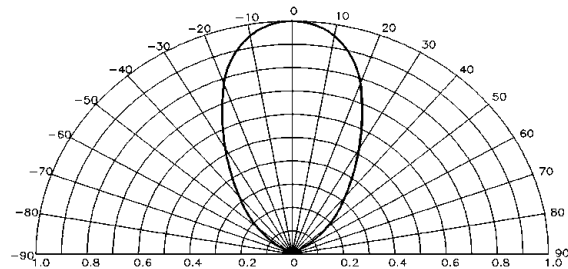


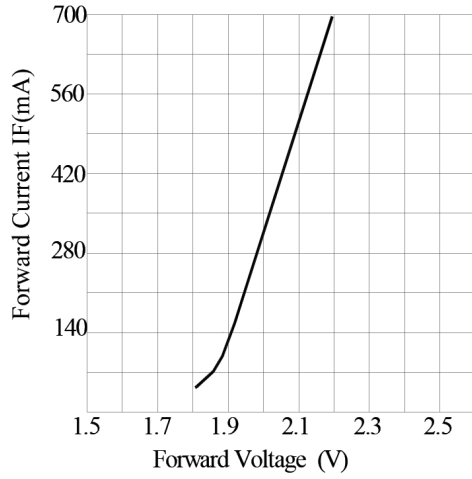
Round Lens SMT Package Outlines



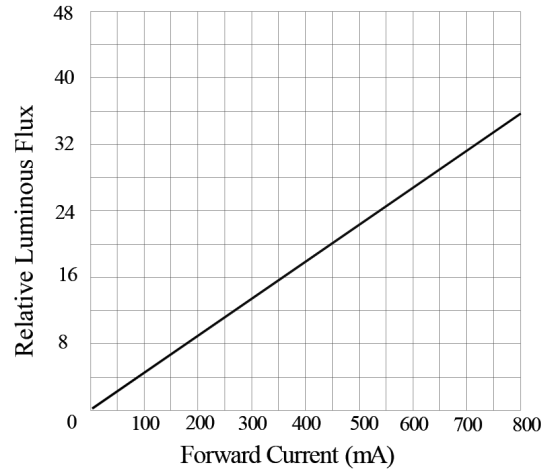
Dimensions : Millimetres

Typical Radiation Pattern for Round Lens ($2\theta_{1/2} : 60 \pm 10^\circ$)

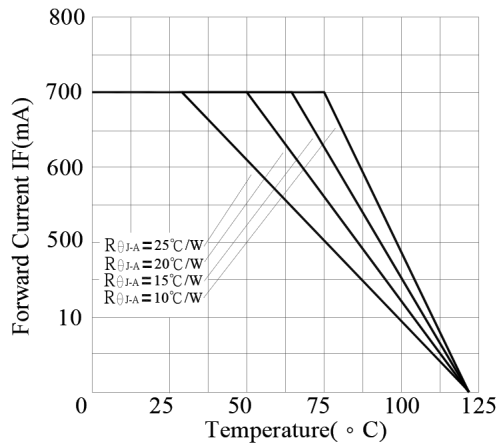




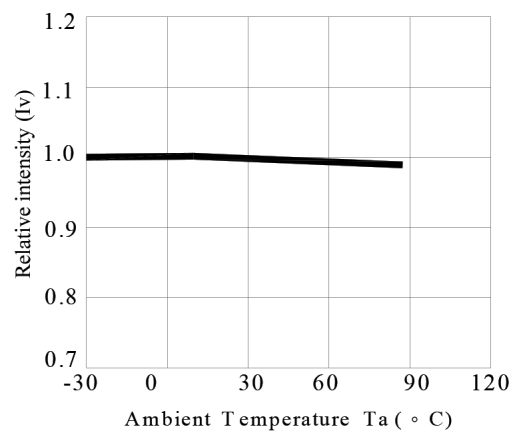
Forward Current VS. Applied Voltage



Forward Current VS. Applied Voltage



Ambient Temperature VS. Forward Current



Relative intensity VS. Ambient Temperature

Part Number Table

Description	Part Number
LED 3W High Power SMD Heat Sink White	OSW-8301
LED 3W Hi Pow SMD Heat Sink Warm White	OSW-8302
LED 3W Hi Pow SMD Heat Sink Blue	OSW-8303
LED 3W Hi Pow SMD Heat Sink Green	OSW-8334
LED 3W Hi Pow SMD Heat Sink Yellow	OSW-8336
LED 3W Hi Pow Smd Heat Sink Red	OSW-8338
LED 3W High Power SMD White	OSW-6301
LED 3W High Pow SMD Warm White	OSW-6302
LED 3W High Pow SMD Blue	OSW-6303
LED 3W High Pow SMD True Green	OSW-6334
LED 3W High Pow SMD Yellow	OSW-6336
LED 3W High Pow SMD Red	OSW-6338
LED 3W High Pow Leaded White	OSW-4301
LED 3W High Pow Leaded Warm White	OSW-4302
LED 3W High Pow Leaded Blue	OSW-4303
LED 3W High Pow Leaded True Green	OSW-4334
LED 3W High Pow Leaded Yellow	OSW-4336
LED 3W High Pow Leaded Red	OSW-4338

Important Notice : This data sheet and its contents (the "Information") belong to the members of the Premier Farnell group of companies (the "Group") or are licensed to it. No licence is granted for the use of it other than for information purposes in connection with the products to which it relates. No licence of any intellectual property rights is granted. The Information is subject to change without notice and replaces all data sheets previously supplied. The Information supplied is believed to be accurate but the Group assumes no responsibility for its accuracy or completeness, any error in or omission from it or for any use made of it. Users of this data sheet should check for themselves the Information and the suitability of the products for their purpose and not make any assumptions based on information included or omitted. Liability for loss or damage resulting from any reliance on the Information or use of it (including liability resulting from negligence or where the Group was aware of the possibility of such loss or damage arising) is excluded. This will not operate to limit or restrict the Group's liability for death or personal injury resulting from its negligence. Multicomp is the registered trademark of the Group. © Premier Farnell plc 2012.