

Non Insulated Terminal Bundle Kit

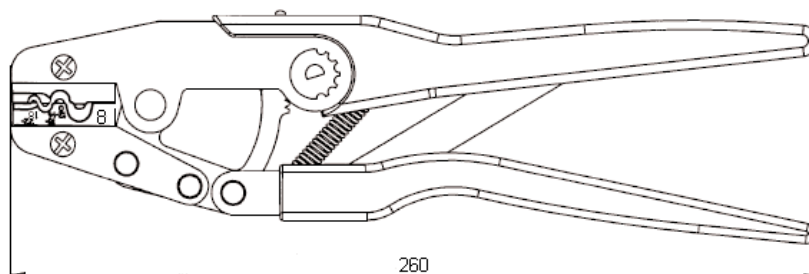
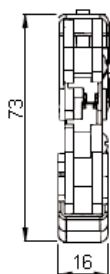


Crimp Tool



Specifications:

Colour	: Blue
Crimp Application	: Connectors
Crimp Capacity	: 22AWG to 8AWG



Dimensions : Millimetres

Female Terminal 22AWG to 18AWG



Specifications:

Connector Type	: Disconnect
Termination Method	: Crimp
Stud/Tab Size	: 1.94mm × 0.8mm
Wire Size	: 22AWG to 18AWG
Contact Material	: Brass
Contact Plating	: Tin
Gender	: Receptacle
Length	: 15.5mm
Tab Width	: 3.8mm

Non Insulated Terminal Bundle Kit

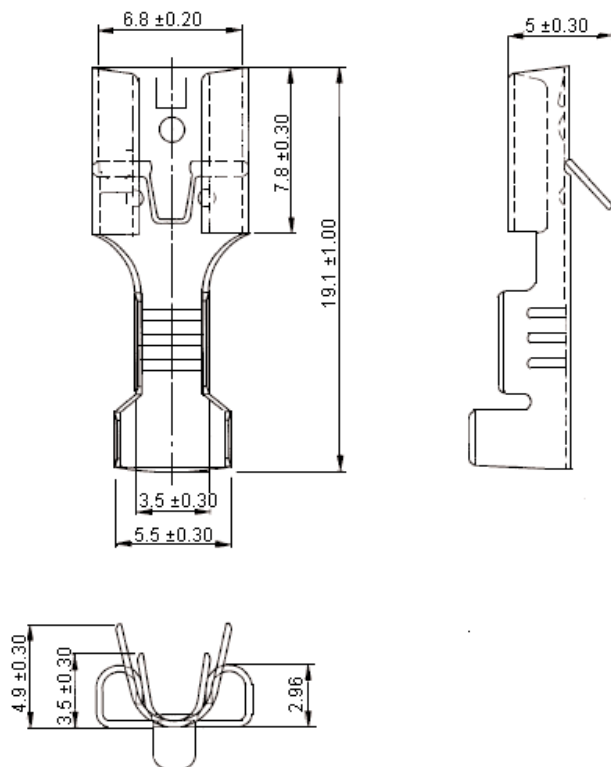


Female Terminal 16AWG to 14AWG



Specifications:

Connector Type	: Disconnect
Termination Method	: Crimp
Stud/Tab Size	: 6.35mm × 0.8mm
Wire Size AWG	: 16AWG to 14AWG
Contact Plating	: Tin
Gender	: Receptacle
Length	: 19.1mm
Tab Width	: 6.8mm



Dimensions : Millimetres

Non Insulated Terminal Bundle Kit

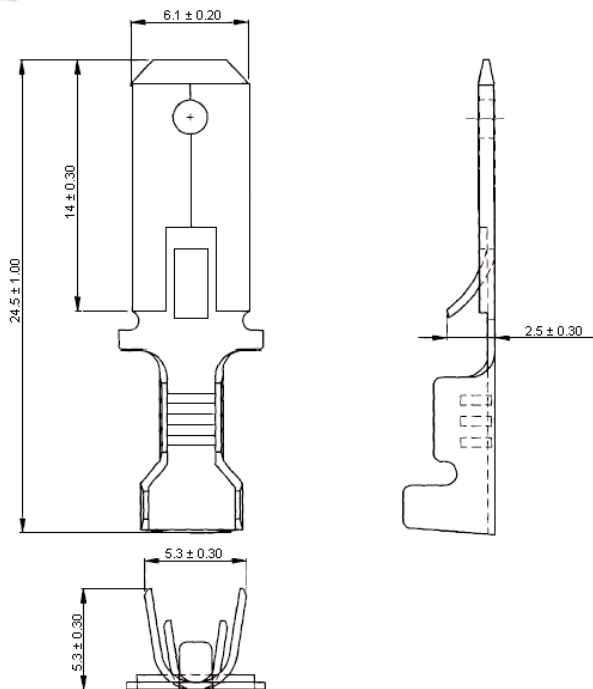


Male Terminal 16AWG to 14AWG



Specifications:

Connector Type	: Disconnect
Termination Method	: Crimp
Stud/Tab Size	: 6.35mm × 0.8mm
Wire Size AWG Min	: 16AWG to 14AWG
Contact Material	: Brass
Contact Plating	: Tin
Gender	: Plug
Length	: 24.6mm
Tab Width	: 6.1mm



Dimensions : Millimetres

Part Number Table

Description	Part Number
Kit, Non Insulated Terminal Bundle	1346454 + 1346445 + 1346448 + 1346449

Important Notice : This data sheet and its contents (the "Information") belong to the members of the Premier Farnell group of companies (the "Group") or are licensed to it. No licence is granted for the use of it other than for information purposes in connection with the products to which it relates. No licence of any intellectual property rights is granted. The Information is subject to change without notice and replaces all data sheets previously supplied. The Information supplied is believed to be accurate but the Group assumes no responsibility for its accuracy or completeness, any error in or omission from it or for any use made of it. Users of this data sheet should check for themselves the Information and the suitability of the products for their purpose and not make any assumptions based on information included or omitted. Liability for loss or damage resulting from any reliance on the Information or use of it (including liability resulting from negligence or where the Group was aware of the possibility of such loss or damage arising) is excluded. This will not operate to limit or restrict the Group's liability for death or personal injury resulting from its negligence. Multicomp is the registered trademark of the Group. © Premier Farnell plc 2012.

