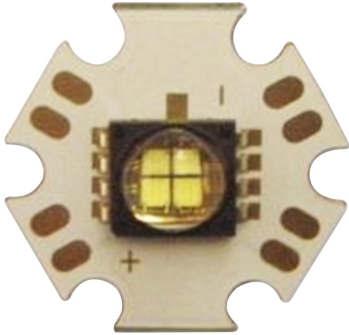
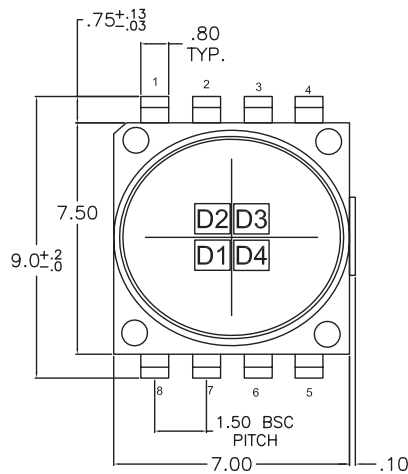
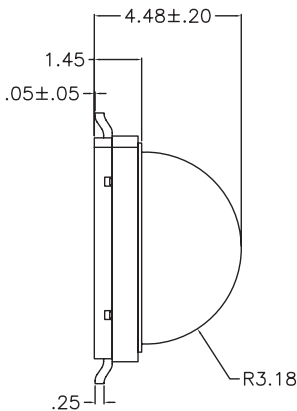
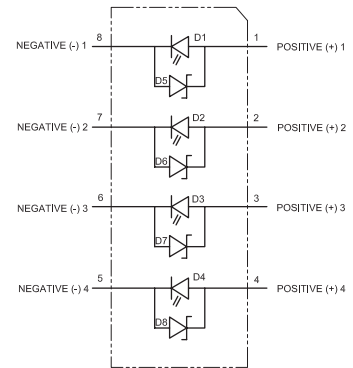
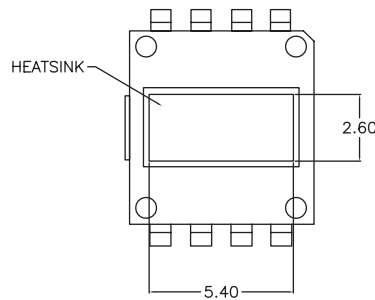
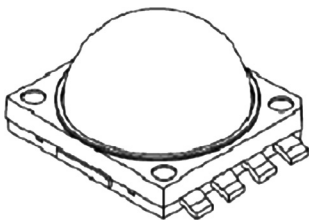


Emitter Boards Utilizing Cree's MCE LED



Specifications:

Series	: MCE
Viewing Angle	: 110°
LED Mounting	: SMD
Forward Current @ Test	: 350mA
Forward Voltage @ Test	: 3.2V
Opto Case Style	: Star



Dimensions : Millimetres

www.element14.com
www.farnell.com
www.newark.com



Emitter Boards Utilizing Cree's MCE LEDs



Figure 1

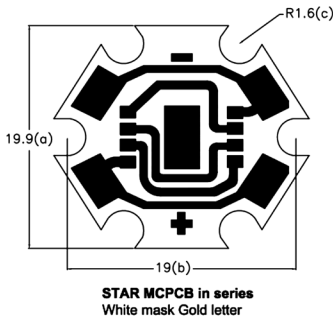


Figure 2

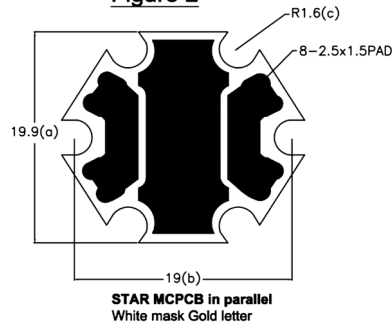
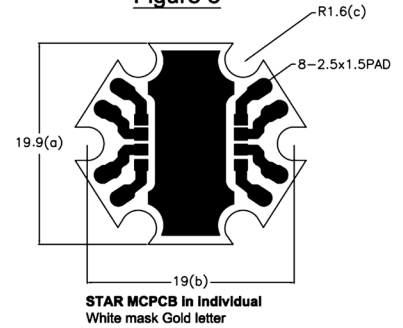


Figure 3



Part Number Table

Description	BRD	Circuit	BRD Thickness	LED Colour	LED Colour Bins	LED Flux Code	LED Lumen (Min.)	Each LED VF (typ.) @350mA	LED Viewing Angle	Part Number
LED, HB Cool White, 370LM	Star	Series (Figure 1)	2mm	Cool White	WC, WD, WG, WF	K	370lm	3.2V	110°	MCE4WT-A2-0000-00K02-STARSR
LED, HB, Cool White, 430LM			2mm	Cool White	WC, WD, WG, WF	M	430lm			MCE4WT-A2-0000-00M02-STARP
LED, HB, NEUT White, 370LM			2mm	Neutral White	4A, 4B, 4C, 4D	K	370lm			MCE4WT-A2-0000-00KE4-STARP
LED, HI Bright, Warm White, 320LM			2mm	Warm White	7A, 7B, 7C, 7D	J	320lm			MCE4WT-A2-0000-00JF7-STARSR
LED, HB, Cool White, 370LM		Parallel (Figure 2)	2mm	Cool White	WC, WD, WG, WF	K	370lm			MCE4WT-A2-0000-00K02-STARP
LED, HB Cool White, 430LM			2mm	Cool White	WC, WD, WG, WF	M	430lm			MCE4WT-A2-0000-00M02-STARSR
LED, HB, NEUT White, 370LM			2mm	Neutral White	4A, 4B, 4C, 4D	K	370lm			MCE4WT-A2-0000-00KE4-STARSR
LED, HI Bright, Warm White, 320LM			2mm	Warm White	7A, 7B, 7C, 7D	J	320lm			MCE4WT-A2-0000-00JF7-STARP
LED, HB, Cool White, 370LM		Individual (Figure 3)	2mm	Cool White	WC, WD, WG, WF	K	370lm			MCE4WT-A2-0000-00K02-STARIND
LED, HB, Cool White, 430LM			2mm	Cool White	WC, WD, WG, WF	M	430lm			MCE4WT-A2-0000-00M02-STARIND
LED, HB, NEUT White, 370LM			2mm	Neutral White	4A, 4B, 4C, 4D	K	370lm			MCE4WT-A2-0000-00KE4-STARIND
LED, HI Bright, Warm White, 320LM			2mm	Warm White	7A, 7B, 7C, 7D	J	320lm			MCE4WT-A2-0000-00JF7-STARIND

Important Notice : This data sheet and its contents (the "Information") belong to the members of the Premier Farnell group of companies (the "Group") or are licensed to it. No licence is granted for the use of it other than for information purposes in connection with the products to which it relates. No licence of any intellectual property rights is granted. The Information is subject to change without notice and replaces all data sheets previously supplied. The Information supplied is believed to be accurate but the Group assumes no responsibility for its accuracy or completeness, any error in or omission from it or for any use made of it. Users of this data sheet should check for themselves the Information and the suitability of the products for their purpose and not make any assumptions based on information included or omitted. Liability for loss or damage resulting from any reliance on the Information or use of it (including liability resulting from negligence or where the Group was aware of the possibility of such loss or damage arising) is excluded. This will not operate to limit or restrict the Group's liability for death or personal injury resulting from its negligence. Multicomp is the registered trademark of the Group. © Premier Farnell plc 2012.

