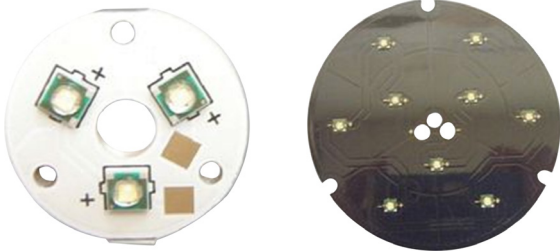


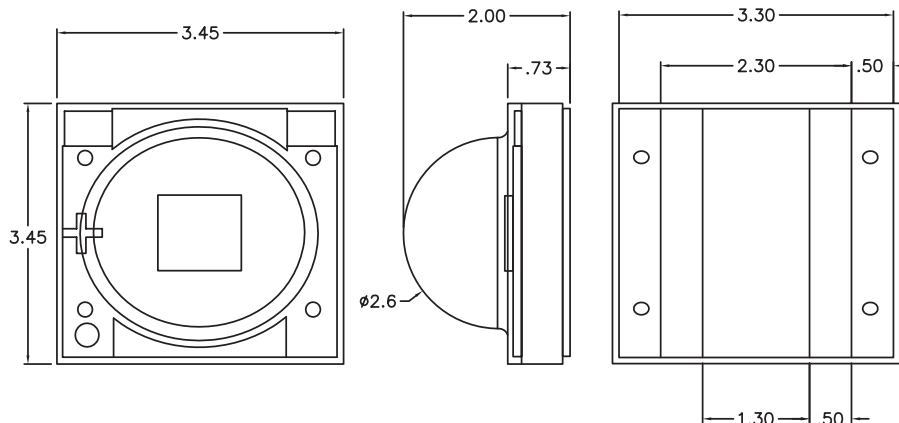
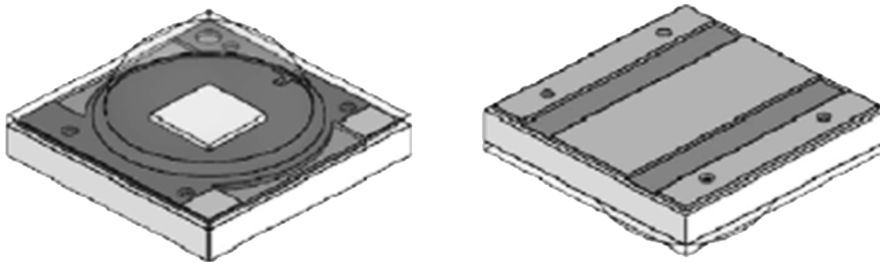
LED Array

Utilizing Cree's XPE Emitters



Specifications:

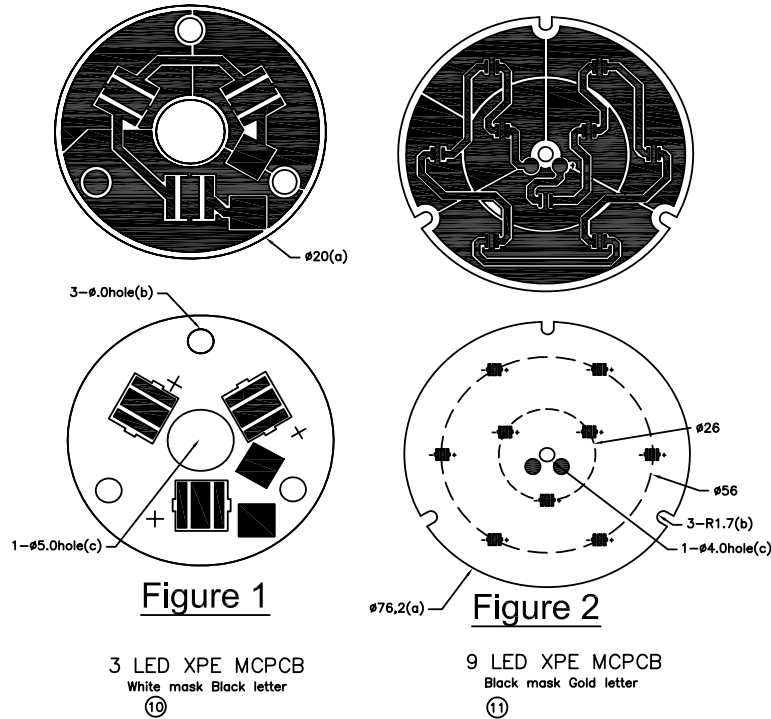
Series	: XPE
LED Module Type	: Board + LED
Supply Voltage	: 3.2V
Forward Current @ Test	: 350mA
Power Module Configuration	: Circular
Viewing Angle	: 115°



Dimensions : Millimetres



LED Array Utilizing Cree's XPE Emitters



Part Number Table

Description	BRD	LED Qty	BRD Thickness	LED Colour	LED Colour Bins	Each LED Flux Code	Each LED Lumen (Min.)	Each LED VF (Typ.) @350mA	Each LED Viewing Angle	Part Number
LED, Array, 3, Cool White, 342LM	md	3 LED (Figure 1)	1.5mm	Cool White	WC, WD, WG, WF	R2	114lm	3.2V	115°	XPEWHT-L1-0000-00E02-3UP
LED, Array, 3, NEUT White, 282LM			1.5mm	Neutral White	4A, 4B, 4C, 4D	Q3	93.9lm			XPEWHT-L1-0000-00BE4-3UP
LED, Array, 3, Warm White, 240LM			1.5mm	Warm White	7A, 7B, 7C, 7D	P4	80.6lm			XPEWHT-L1-0000-009E7-3UP
LED, Array, 9, Cool White, 1026LM		9 LED (Figure 2)	2mm	Cool White	WC, WD, WG, WF	R2	114lm			XPEWHT-L1-0000-00E02-9UP
LED, Array, 9, NEUT White, 846LM			2mm	Neutral White	4A, 4B, 4C, 4D	Q3	93.9lm			XPEWHT-L1-0000-00BE4-9UP
LED, Array, 9, Warm White, 720LM			2mm	Warm White	7A, 7B, 7C, 7D	P4	80.6lm			XPEWHT-L1-0000-009E7-9UP

Important Notice : This data sheet and its contents (the "Information") belong to the members of the Premier Farnell group of companies (the "Group") or are licensed to it. No licence is granted for the use of it other than for information purposes in connection with the products to which it relates. No licence of any intellectual property rights is granted. The Information is subject to change without notice and replaces all data sheets previously supplied. The Information supplied is believed to be accurate but the Group assumes no responsibility for its accuracy or completeness, any error in or omission from it or for any use made of it. Users of this data sheet should check for themselves the Information and the suitability of the products for their purpose and not make any assumptions based on information included or omitted. Liability for loss or damage resulting from any reliance on the Information or use of it (including liability resulting from negligence or where the Group was aware of the possibility of such loss or damage arising) is excluded. This will not operate to limit or restrict the Group's liability for death or personal injury resulting from its negligence. Multicomp is the registered trademark of the Group. © Premier Farnell plc 2012.

