

- Replacement for PAR16 high voltage 50 W Halogen lamp
- High colour rendering index at  $\geq Ra95$
- Up to 85% energy saving
- Dimmable
- Lifetime of 25,000 hrs
- For accent lighting; ideal for spotlighting of various objects in shops, museums, restaurants or along the corridor



Order Code 52041

#### General Data

Lamp Socket GU10  
Design Lens

#### Geometric Data

Length (mm) 81.7  
Diameter (mm) 50  
Weight (g) 139

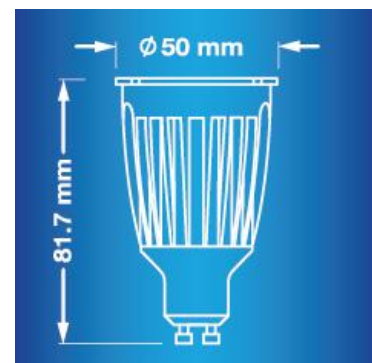
#### Electric Data

Wattage (W) 8.5  
Voltage (V) 220-240  
Power Factor  $\geq 0.85$   
Operating Frequency (Hz) 50-60 Hz

#### Photometric Data

Luminous Flux (lm) 310  
CRI  $\geq 95$   
CCT 2700 K –warm white  
Luminous Intensity (cd) 720  
Beam Angle (°) 30°  
Lifetime 25,000 hrs

Equivalent to (W) 50 W





<b>Order Code</b>	52041
<b>Product Description</b>	LED PAR16 GU10 8.5W 2700K WW 310LM DIM

### Technical Packaging Details

Barcode	023942520412
EAN 128	(02)00023942520412(37)20(91)53
EAN 14	50023942520417
Pack Dimensions (HxWxL)	107 mm x 66 mm x 66 mm
Pack Weight	TBC
Carton Qty (Shipping Unit)	10
Carton Dimensions (HxWxL)	145 mm x 556 mm x 318 mm
Cartons/Layer	9
Layers/Pallet	5
Units/Pallet	900

## Photometric Diagram

52041

