

- Replacement for PAR30 high voltage 75 W Halogen lamp
- High colour rendering index at $\geq Ra95$
- Up to 85% energy saving
- Dimmable
- Lifetime of 25,000 hrs
- Low heat and UV radiation
- Ideal for high efficient spot lighting in wide space areas like shops, corridors, conference centers



Order Code 52042

General Data

Lamp Socket E27
Design Lens

Geometric Data

Length (mm) 90.2
Diameter (mm) 90.8
Weight (g) 300

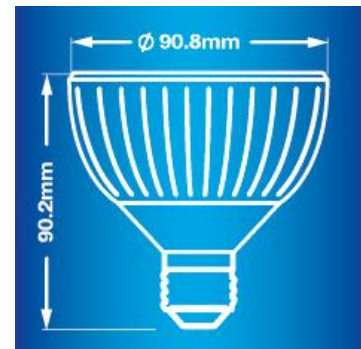
Electric Data

Wattage (W) 14.5
Voltage (V) 220-240 V
Power Factor ≥ 0.80
Operating Frequency 50/60 Hz

Photometric Data

Luminous Flux (lm) 680
CRI ≥ 95
CCT 4000 K – neutral white
Luminous Intensity (cd) 1300
Beam Angle (°) 30°
Lifetime 25 000hrs

Equivalent to (W) 75 W





Order Code	52042
Product Description	LED PAR30 E27 (SN) 14.5W 4000K NW 680LM DIM Box

Technical Packaging Details

Barcode	023942520429
EAN 128	(02)00023942520429(37)12(91)53
EAN 14	50023942520424
Pack Dimensions (HxWxL)	116 mm x 118 mm x 118 mm
Pack Weight	TBC
Carton Qty (Shipping Unit)	6
Carton Dimensions (HxWxL)	279 mm x 372 mm x 253 mm
Cartons/Layer	6
Layers/Pallet	3
Units/Pallet	324

Photometric Diagram

52042

