

U.I. Lapp GmbH	<b>PRODUCT INFORMATION</b>	
	<b>SKINTOP® ST</b>	<b>12.09.2012</b>

Various accessories (e.g. multiple sealing inserts)  
 High oil-resistance for maximum reliability  
 Permanent vibration protection  
 Optimum strain relief  
 Wide, variable clamping ranges



### Application range

Used in areas where cables and wires need to be safely inserted into housings  
 Machine and equipment manufacturing  
 Photovoltaic  
 Automation technology

### Design

PG connection thread

### Approvals (Norm references)

UL File Nr. E79903

### Note

Refer to SKINTOP® PG accessories for suitable accessories  
 Counter nut to be used: SKINTOP® GMP-GL

### Remark

Photographs are not to scale and do not represent detailed images of the respective products.

### Technical Data

Caution:	Refer to Appendix T21 for the installation dimensions and torques
Colour delivered:	Silver grey (RAL 7001) Light grey (RAL 7035) Black (RAL 9005), UV-resistant
Material:	Body: Polyamide Seal: CR
Tests:	GGVS: TÜ.EGG.020-95
Protection rating:	Outdoors
Temperature range:	-20°C to +80°C



Product Management	Document: LAPP_PRO1066EN.pdf	1 / 4
--------------------	------------------------------	-------

## SKINTOP® ST

12.09.2012


Part number	Article designation / size	Clamping range ØF (mm)	SW (mm)	Overall length/ C (mm)	Thread length inner mm	Pieces / PU
SKINTOP® ST silver grey						
53015000	ST 7	2,5 - 6,5	15	32.0	8.0	100
53015010	ST 9	3,5 - 8	19	36.0	8.0	100
53015020	ST 11	4 - 10	22	38.0	8.0	100
53015030	ST 13,5	6 - 12	24	41.0	9.0	100
53015040	ST 16	9 - 14	27	44.0	10.0	50
53015050	ST 21	13 - 18	33	49.0	11.0	50
53015060	ST 29	14 - 25	42	56.0	11.0	25
53015070	ST 36	24 - 32	53	66.0	13.0	10
53015080	ST 42	35 - 38	60	68.0	13.0	5
53015090	ST 48	39 - 44	65	69.0	14.0	5
SKINTOP® ST black						
53015200	ST 7	2,5 - 6,5	15	32.0	8.0	100
53015210	ST 9	3,5 - 8	19	36.0	8.0	100
53015220	ST 11	4 - 10	22	38.0	8.0	100
53015230	ST 13,5	6 - 12	24	41.0	9.0	100
53015240	ST 16	9 - 14	27	44.0	10.0	50
53015250	ST 21	13 - 18	33	49.0	11.0	50
53015260	ST 29	14 - 25	42	56.0	11.0	25
53015270	ST 36	24 - 32	53	66.0	13.0	10
53015280	ST 42	35 - 38	60	68.0	13.0	5
53015290	ST 48	39 - 44	65	69.0	14.0	5
SKINTOP® ST light grey						
53018000	ST 7	2,5 - 6,5	15	32.0	8.0	100
53018010	ST 9	3,5 - 8	19	36.0	8.0	100
53018020	ST 11	4 - 10	22	38.0	8.0	100
53018030	ST 13,5	6 - 12	24	41.0	9.0	100
53018040	ST 16	9 - 14	27	44.0	10.0	50
53018050	ST 21	13 - 18	33	49.0	11.0	50
53018060	ST 29	14 - 25	42	56.0	11.0	25
53018070	ST 36	24 - 32	53	66.0	13.0	10

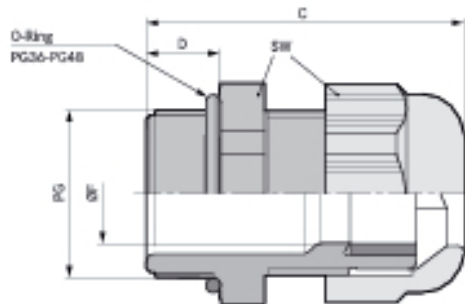


**SKINTOP® ST**

12.09.2012

Part number	Article designation / size	Clamping range ØF (mm)	SW (mm)	Overall length/ C (mm)	Thread length inner mm	Pieces / PU
53018080	ST 42	35 - 38	60	68.0	13.0	5
53018090	ST 48	39 - 44	65	69.0	14.0	5

U.I. Lapp GmbH	<b>PRODUCT INFORMATION</b>	 <b>LAPP GROUP</b>
<b>SKINTOP® ST</b>		12.09.2012



Product Management	Document: LAPP_PRO1066EN.pdf	4 / 4
--------------------	------------------------------	-------