

FS-05

Features

- Rugged Brass housing
- Minimum pressure drop
- Operates from a small head of water
- Vertical mount +/-15
- Suitable for water and air flow switching



Comments

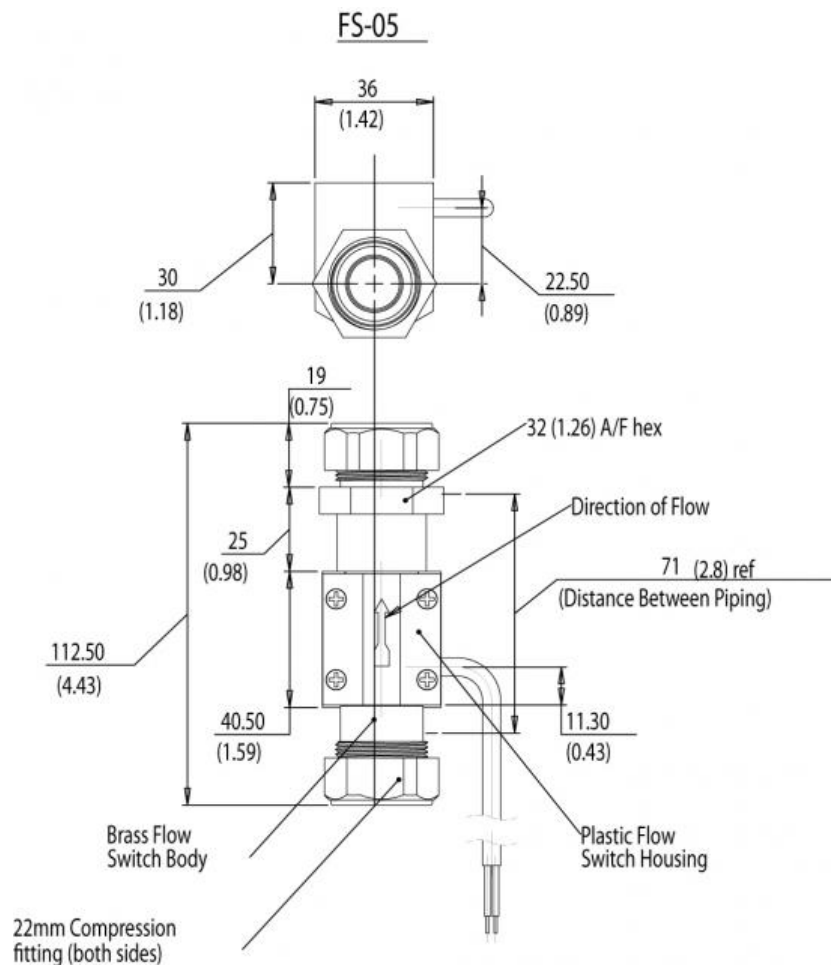
- 22mm Compression fitting
- Suitable for hot and cold potable water
- Reed Switch Reliability (UL File E153493)
- Easy installation
- Easy installation

Applications

- Mains water control
- Power shower
- Central heating systems
- Circulation pump protection
- Cooling systems

Material	
Shuttle Material	Noryl
Contact Material	Triac
Operating Temperature °C	-30 to 100
Medium	Water
Housing Colour	Brass
Mechanical Specifications	
Shock	50g for 11mS duration
Vibration	35g up to 500Hz
Maximum Pressure	10 Bar @ 20
IP	IP65
Switching	

Switch Action (Reed Switch)	SPST
Max Switching Voltage VDC	N/A
Max Switching Voltage VAC	250
Max Switching Current Amps	3
Operate Mode	N/O, close with Flow
Contact Form	A
Cable	
Cable Length	1 x 1.0M double insulated
Connection Type	Stripped Cables
Cable Type	0.5MM2 BS6500 PVC
Cable Colour	White outer Blue/Brown inner
Mounting	
Fitting	In Line
Mounting	Vertical, flow upwards
Technical Drawing	



Girvan
Ayrshire
KA26 9PS
United Kingdom

Tel: +44 1465 716999

Fax: +44 1465 714974

Email: info@gentechsensors.com

www.gentechsensors.com