

RG130/0800-3612

EC centrifugal fan

single inlet

with housing (flange), Gas blower for gas-condensing heating



ebm-papst Landshut GmbH

Hofmark-Aich-Straße 25

D-84030 Landshut

Phone: +49(0)871/707-0

Fax: +49(0)871/707-465

info3@de.ebmpapst.com

www.ebmpapst.com

Nominal data

Type	RG130/0800-3612	
Nominal voltage	VDC	24
Speed	min ⁻¹	7200
Power input	W	40
Air flow	m ³ /h	110
Back pressure	Pa	1900

ml = max. load · me = max. efficiency · rfa = running at free air · cs = customer specs · cu = customer unit
Subject to alterations

Technical features

Connection line	A and C
Design	Vibration-free motor mount
Mounting position	To be specified for corresponding support elements
Bearing	Ball bearings
Mass	1.4 kg
Housing material	Die-cast aluminum

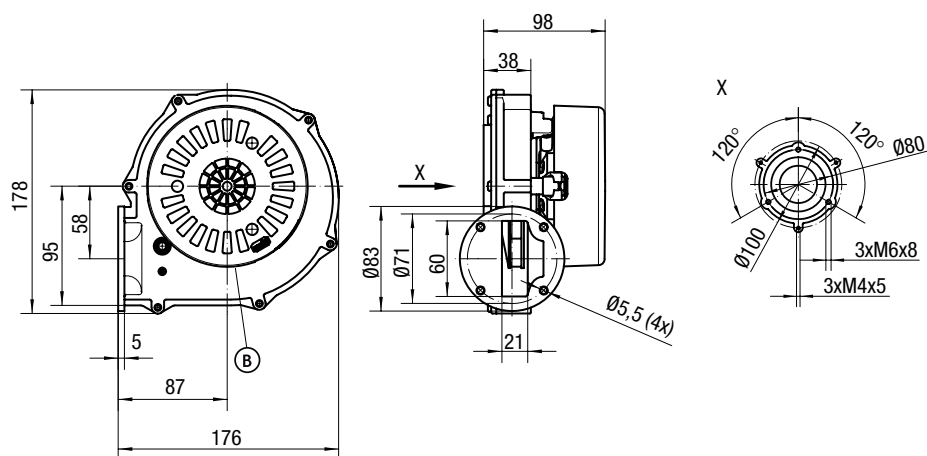
RG130/0800-3612

EC centrifugal fan

single inlet

with housing (flange), Gas blower for gas-condensing heating

Product drawing

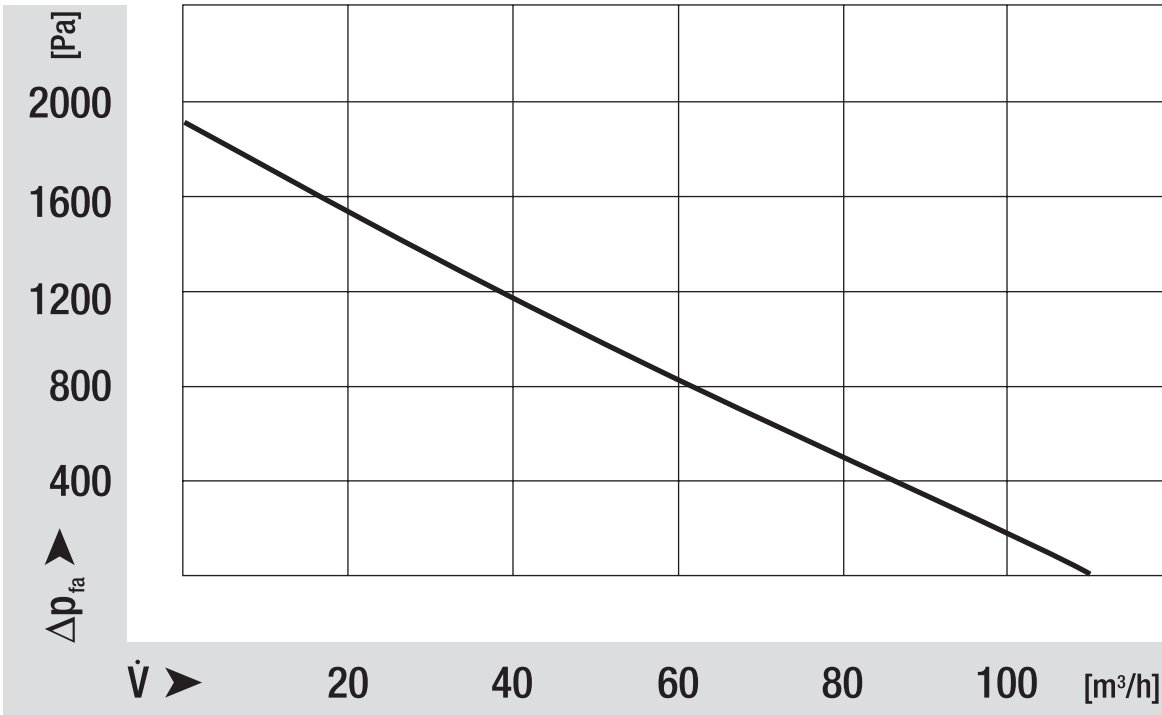


EC centrifugal fan

single inlet

with housing (flange), Gas blower for gas-condensing heating

Charts: Air flow



EC centrifugal fan

single inlet

with housing (flange), Gas blower for gas-condensing heating

Charts: Speed

