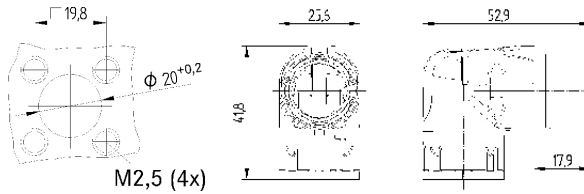


**EPIC® M23 A3**

Special version IP65  
New part number

**Info**  
!!! Special Degree of Protection IP65 !!!



**Benefits**

- Housings are very flexible - cable connectors with huge clamping range, receptacle housings for insert assembly from front- and rear direction

**Application range**

- Plant engineering
- Servo drives and Servo harnessings
- Measurement and control technology

**Product features**

- Panel mount base, angled, rotatable

- Front mounting

**Suitable inserts**


- EPIC® M23 Inserts 6 pole ]
- EPIC® M23 Inserts 7 pole
- EPIC® M23 Inserts 8+1 pole
- EPIC® M23 Inserts 9 pole
- EPIC® M23 Inserts 12 pole
- EPIC® M23 Inserts 16 pole
- EPIC® M23 Inserts 17 pole
- EPIC® M23 Inserts 12 pole D-Sub
- EPIC® M23 Inserts 17 pole D-Sub

**Technical data**

- Material**  
Housing: zinc die casting nickel-plated  
Sealing: FPM
- IP**  
Degree of protection  
IP65
- Range of temperature**  
-25 °C - +125 °C

Part number	Part	Coding	Fastening type	Pieces / PU
<b>Type M23 A3 angled rotatable front wall mounting</b>				
24420055	M23 A3	black (N)	Ø2,7mm (4x)	5
24420054	M23 A3	black (N)	Ø2,7mm (4x)	20

Special version IP65  
New part number

U.I. Lapp GmbH	<b>PRODUCT INFORMATION</b>	
	<b>EPIC® M23 Inserts 8+1 pole</b>	12.09.2012

Inserts for M23 circular connectors  
 Universal further processing of the M23 inserts through different packaging units. Fully assembled with suitable solder contacts or unpopulated for individual assembly with crimp or solder contacts



### Application range

Plant engineering  
 Measurement and control technology  
 Apparatus construction

### Remark

The inserts are suitable for both male and female contacts. For a complete connection, you will need one P-component and one E-component. P-component = left turning (anticlockwise), E-component = right turning (clockwise)  
 Photographs are not to scale and do not represent detailed images of the respective products.



### Technical Data


Rated voltage (V):	150 V
Rated impulse voltage:	2.5 kV
Rated current (A):	20 A (2 mm contact) 7 A (1 mm contacts)
Contact resistance:	< 4 mOhm
Contacts:	Gold-plated brass
Number of contacts:	8 + 1
Termination methods:	Crimp termination: 0.14 - 1.0 mm <sup>2</sup> (1.0 - 2.5 mm <sup>2</sup> for 2-mm contact) Solder termination: up to 1.0 mm <sup>2</sup> (up to 2.5 mm <sup>2</sup> for 2-mm contact)
Cycle of mechanical operation:	100
Temperature range:	-25°C - +125°C
Degree of soiling:	3

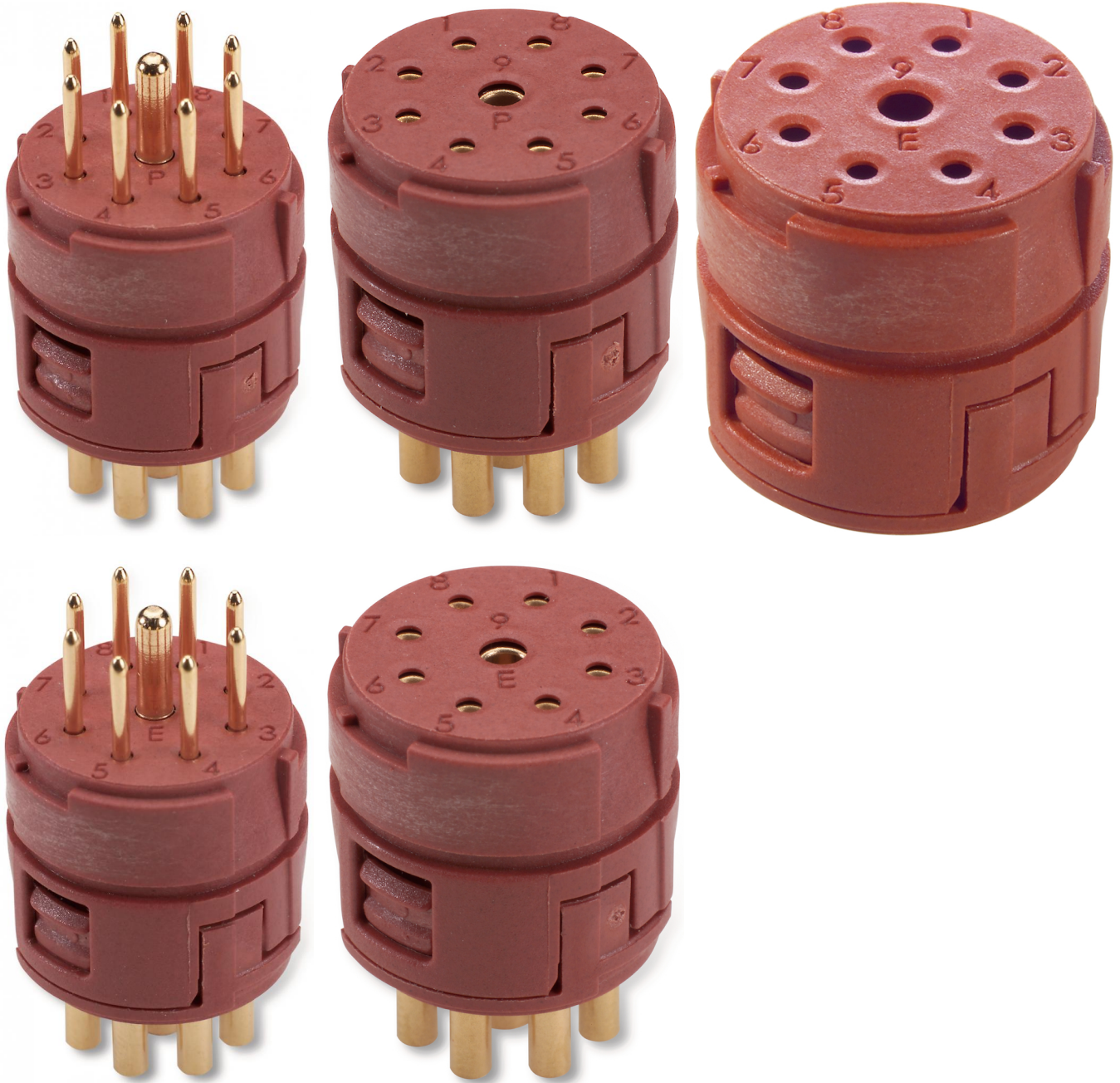
Product Management	Document: LAPP_PRO122468EN.pdf	1 / 4
--------------------	--------------------------------	-------

**EPIC® M23 Inserts 8+1 pole**


12.09.2012

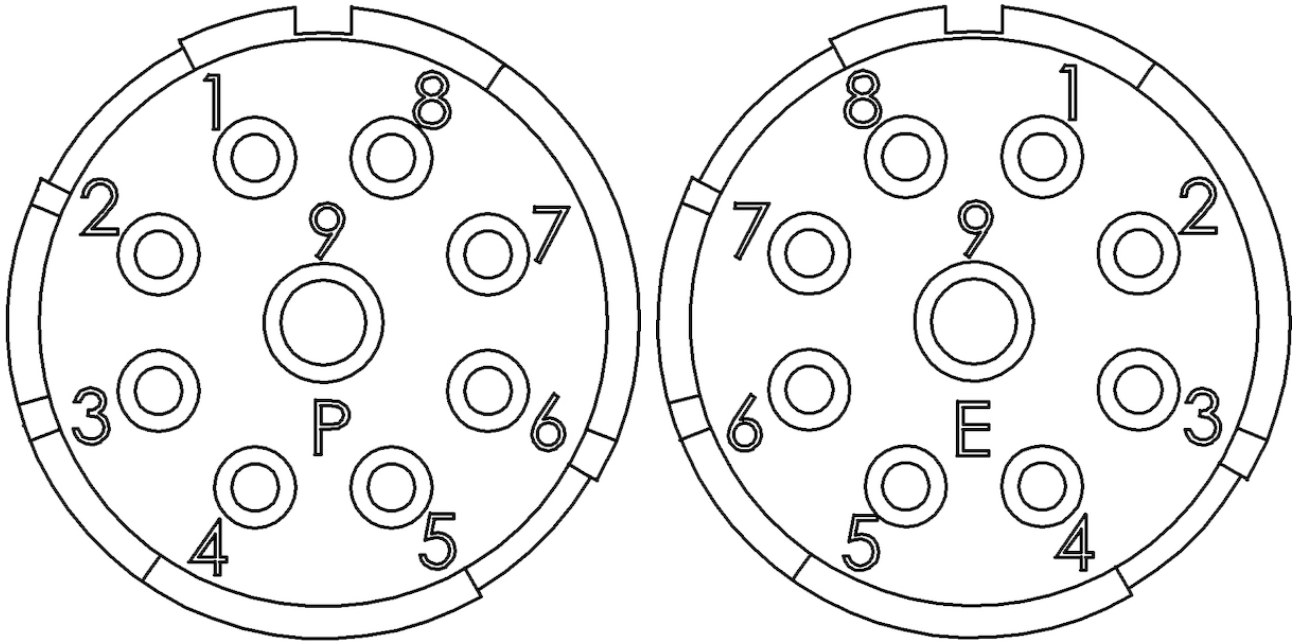
Part number	Article	Inserts	Contacts included	Pin configuration	Pieces / PU
8+1-pin inserts, P-part = rotation to the left (anticlockwise)					
73002736	P-part	without contacts		8+1	5
73002737	P-part	without contacts		8+1	20
73002738	P-part	+ male contacts, solder	9	8+1	5
73002739	P-part	+ male contacts, solder	9	8+1	20
73002740	P-part	+ female contacts, solder	9	8+1	5
73002741	P-part	+ female contacts, solder	9	8+1	20
8+1-pin inserts, E-part = rotation to the right (clockwise)					
73002742	E-Part	without contacts		8+1	5
73002743	E-Part	without contacts		8+1	20
73002744	E-Part	+ male contacts, solder	9	8+1	5
73002745	E-Part	+ male contacts, solder	9	8+1	20
73002746	E-Part	+ female contacts, solder	9	8+1	5
73002747	E-Part	+ female contacts, solder	9	8+1	20

U.I. Lapp GmbH	<b>PRODUCT INFORMATION</b>	 <b>LAPP GROUP</b>
	<b>EPIC® M23 Inserts 8+1 pole</b>	12.09.2012



Product Management	Document: LAPP_PRO122468EN.pdf	3 / 4
--------------------	--------------------------------	-------

U.I. Lapp GmbH	<b>PRODUCT INFORMATION</b>	
<b>EPIC® M23 Inserts 8+1 pole</b>		12.09.2012



Product Management	Document: LAPP_PRO122468EN.pdf	4 / 4
--------------------	--------------------------------	-------