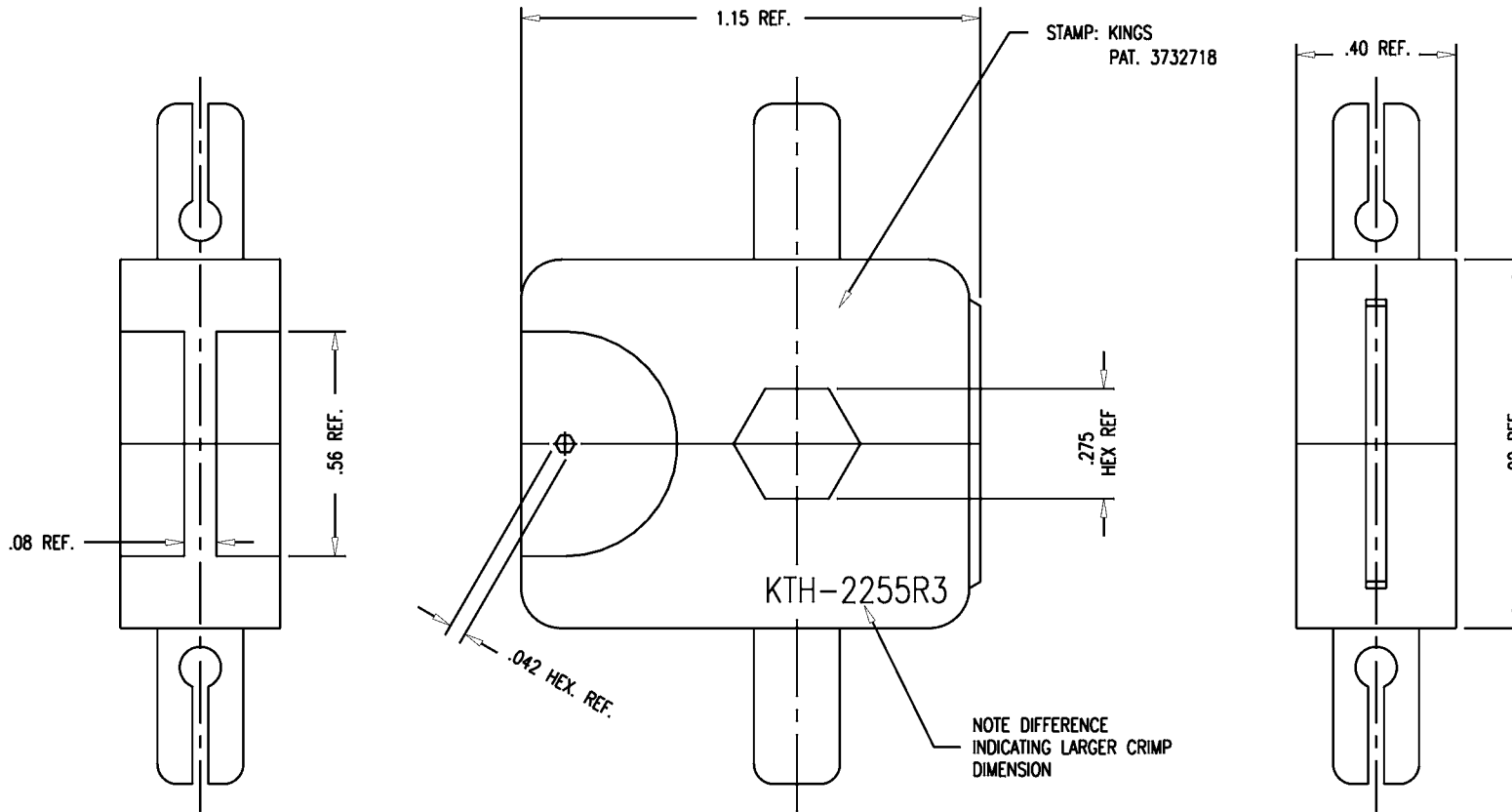


DASH NO.	M CODE	MADE FROM
----------	--------	-----------

SD



KTH-2255

REVISIONS		
ISSUE	CHANGES	
0	ER 37632 VLS 06/10/98	
1	CN 37802 A TML 03/05/99	
2	CN 38098 E DCT 9/28/00	
3	CN 38931 A DCT 9/18/3	

NOTES:
1. FOR USE WITH BELDEN 1694A CABLE.

SCALE	3:1	
APPROX SURFACE AREA		
USED ON	2065-10-9	
REF:		
CRIMP DIE		
DRAWN	VLS	DATE 06/10/98
DESIGN	VLS	DATE 06/10/98
APPR.	VLS	DATE 06/10/98

KINGS
ELECTRONICS CO., INC.
ROCK HILL, SOUTH CAROLINA 29730

KTH-2255

SD