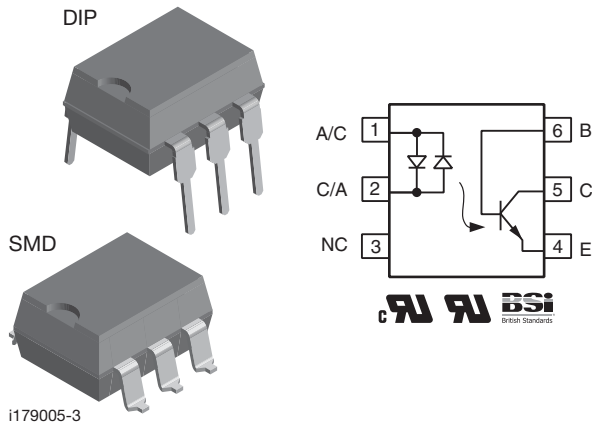


Optocoupler, Phototransistor Output, AC Input, with Base Connection



FEATURES

- AC or polarity insensitive inputs
- Continuous forward current, 130 mA
- Built-in reverse polarity input protection
- Improved CTR symmetry
- Industry standard DIP package
- Compliant to RoHS Directive 2002/95/EC and in accordance to WEEE 2002/96/EC


RoHS
COMPLIANT

APPLICATIONS

- Telecommunications
- Ring detection
- Loop current detector

AGENCY APPROVALS

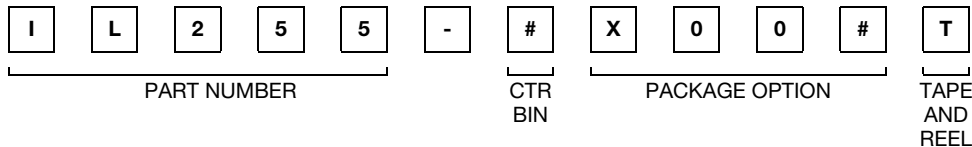
- UL1577, file no. E52744 system code H, double protection
- cUL tested to CSA 22.2 bulletin 5A
- BSI IEC 60950; IEC 60065

DESCRIPTION

The IL255 is a bidirectional input optically coupled isolator consisting of two high current GaAs infrared LEDs coupled to a silicon NPN phototransistor. The IL255 has a minimum CTR of 20 %.

This optocoupler is ideal for applications requiring AC signal detection and monitoring.

ORDERING INFORMATION



AGENCY CERTIFIED/PACKAGE	CTR (%)	
UL, cUL, BSI	≥ 20	≥ 50
DIP-6	-	IL255-2
SMD-6, option 7	IL255-X007T	-

ABSOLUTE MAXIMUM RATINGS (T_{amb} = 25 °C, unless otherwise specified)

PARAMETER	TEST CONDITION	SYMBOL	VALUE	UNIT
INPUT				
Peak pulsed current	1 μs, 300 pps	I _{FP}	3	A
Forward continuous current		I _F	130	mA
Power dissipation		P _{diss}	175	mW
Derate linearly from 25 °C			2.3	mW/°C
OUTPUT				
Collector emitter breakdown voltage		BV _{CEO}	30	V
Emitter base breakdown voltage		BV _{EBO}	5	V
Collector base breakdown voltage		BV _{CBO}	70	V
Power dissipation		P _{diss}	200	mW
Derate linearly from 25 °C			2.6	mW/°C

Vishay Semiconductors Optocoupler, Phototransistor Output,
AC Input, with Base Connection

ABSOLUTE MAXIMUM RATINGS ($T_{amb} = 25\text{ }^{\circ}\text{C}$, unless otherwise specified)				
PARAMETER	TEST CONDITION	SYMBOL	VALUE	UNIT
COUPLER				
Isolation test voltage between emitter and detector		V_{ISO}	5300	V_{RMS}
Creepage distance			≥ 7	mm
Clearance distance			≥ 7	mm
Isolation resistance	$V_{IO} = 500\text{ V}, T_{amb} = 25\text{ }^{\circ}\text{C}$	R_{IO}	$\geq 10^{12}$	Ω
	$V_{IO} = 500\text{ V}, T_{amb} = 100\text{ }^{\circ}\text{C}$	R_{IO}	$\geq 10^{11}$	Ω
Total dissipation		P_{tot}	250	mW
Derate linearly from 25 °C			3.3	mW/°C
Storage temperature		T_{stg}	- 55 to + 150	°C
Operating temperature		T_{amb}	- 55 to + 100	°C
Lead soldering time at $\geq 260\text{ }^{\circ}\text{C}$ ⁽¹⁾			10	s

Notes

- Stresses in excess of the absolute maximum ratings can cause permanent damage to the device. Functional operation of the device is not implied at these or any other conditions in excess of those given in the operational sections of this document. Exposure to absolute maximum ratings for extended periods of the time can adversely affect reliability.
- ⁽¹⁾ Refer to reflow profile for soldering conditions for surface mounted devices (SMD). Refer to wave profile for soldering conditions for through hole devices (DIP).

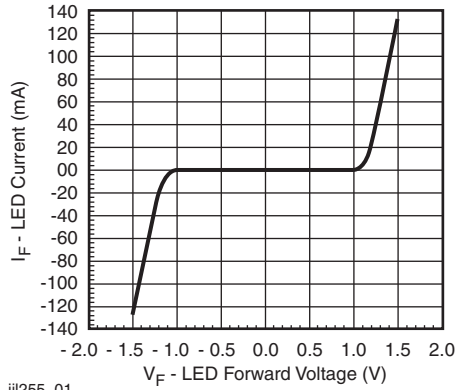
ELECTRICAL CHARACTERISTICS ($T_{amb} = 25\text{ }^{\circ}\text{C}$, unless otherwise specified)							
PARAMETER	TEST CONDITION	PART	SYMBOL	MIN.	TYP.	MAX.	UNIT
INPUT							
Forward voltage	$I_F = \pm 100\text{ mA}$		V_F		1.4	1.7	V
OUTPUT							
Collector emitter breakdown voltage	$I_C = 10\text{ mA}$		BV_{CEO}	30	50		V
Emitter collector breakdown voltage	$I_E = 10\text{ }\mu\text{A}$		BV_{ECO}	7	10		V
Collector base breakdown voltage	$I_C = 100\text{ }\mu\text{A}$		BV_{CBO}	70			V
Emitter base breakdown voltage	$I_E = 100\text{ }\mu\text{A}$		BV_{EBO}	70			V
Collector emitter leakage current	$V_{CE} = 10\text{ V}$		I_{CEO}		5	50	nA
COUPLER							
Collector emitter saturation voltage	$I_F = \pm 10\text{ mA}, I_C = 0.5\text{ mA}$	IL255	V_{CEsat}			0.4	V
	$I_F = \pm 16\text{ mA}, I_C = 2\text{ mA}$	IL255-2	V_{CEsat}			0.4	V

Note

- Minimum and maximum values are testing requirements. Typical values are characteristics of the device and are the result of engineering evaluation. Typical values are for information only and are not part of the testing requirements.

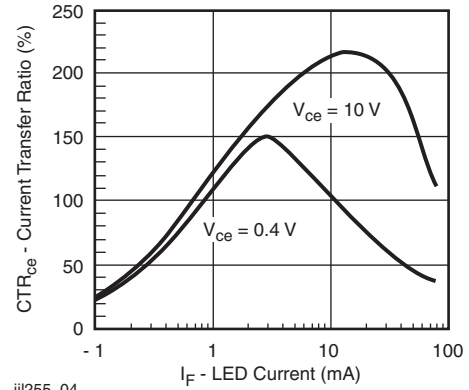
CURRENT TRANSFER RATIO ($T_{amb} = 25\text{ }^{\circ}\text{C}$, unless otherwise specified)							
PARAMETER	TEST CONDITION	PART	SYMBOL	MIN.	TYP.	MAX.	UNIT
Current transfer ratio	$I_F = \pm 10\text{ mA}, V_{CE} = 10\text{ V}$	IL255	CTR	20			%
	$I_F = \pm 10\text{ mA}, V_{CE} = 10\text{ V}$	IL255-2	CTR	50			%
Current transfer ratio symmetry	$I_F = \pm 10\text{ mA}, V_{CE} = 10\text{ V}$	IL255		0.33		3	
	$I_F = \pm 10\text{ mA}, V_{CE} = 10\text{ V}$	IL255-2		0.5	1	2	

Optocoupler, Phototransistor Output, Vishay Semiconductors AC Input, with Base Connection

TYPICAL CHARACTERISTICS ($T_{amb} = 25\text{ }^{\circ}\text{C}$, unless otherwise specified)


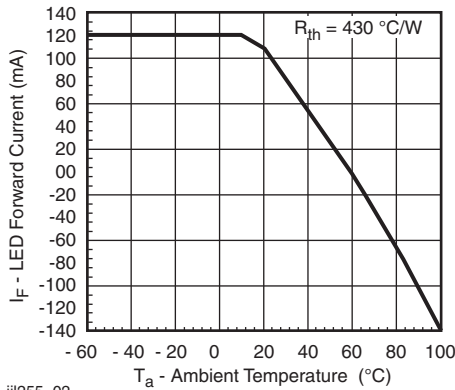
iil255_01

Fig. 1 - LED Forward Current vs. Forward Voltage



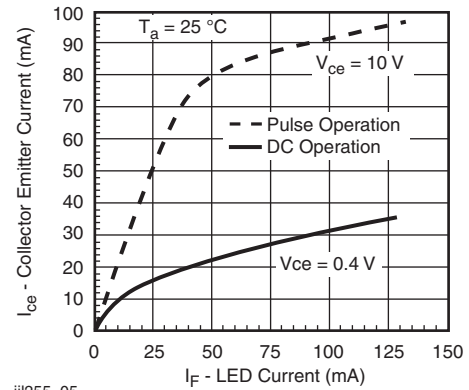
iil255_04

Fig. 4 - Current Transfer Ratio vs. LED Current and Collector-Emitter Voltage



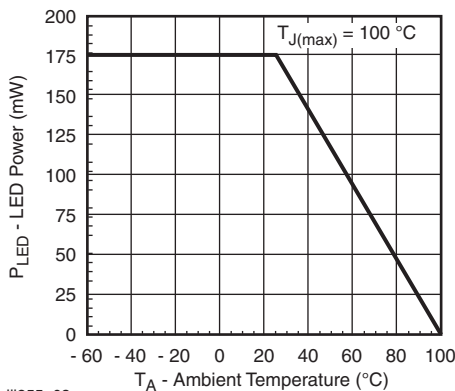
iil255_02

Fig. 2 - Maximum LED Current vs. Ambient Temperature



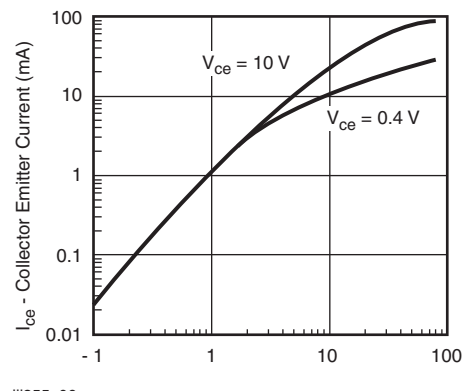
iil255_05

Fig. 5 - Non-Saturated and Saturated Collector Emitter Current vs. LED Current



iil255_03

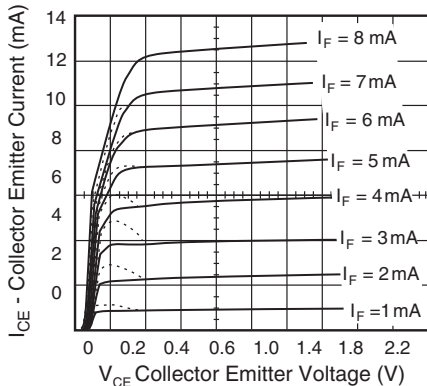
Fig. 3 - Maximum LED Power Dissipation



iil255_06

Fig. 6 - Non-Saturated and Saturated Collector Emitter Current vs. LED Current

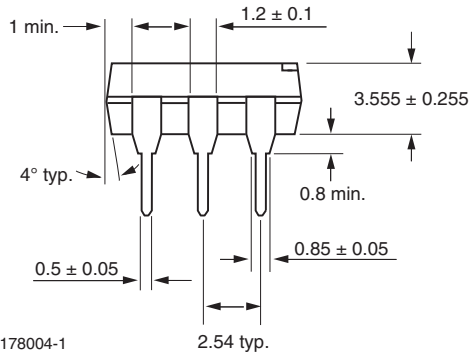
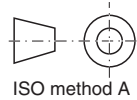
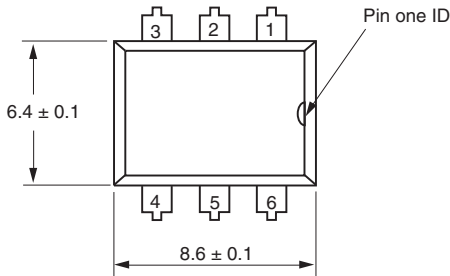
Vishay Semiconductors Optocoupler, Phototransistor Output, AC Input, with Base Connection



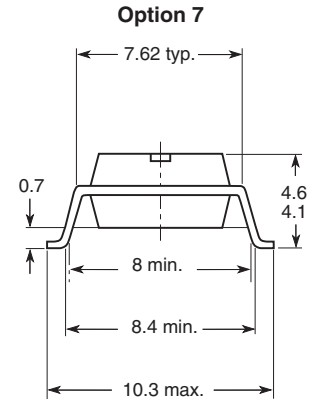
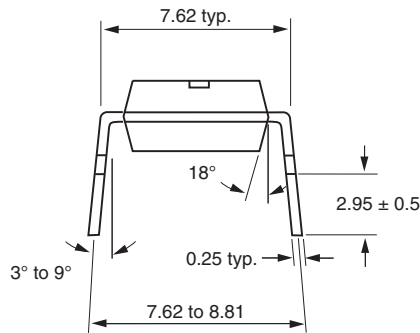
iii255_07

Fig. 7 - Collector Emitter Current vs. LED Collector Emitter Voltage

PACKAGE DIMENSIONS in millimeters



i178004-1



PACKAGE MARKING



Notes

- Only option 7 reflected in the package marking
- Tape and reel suffix (T) is not part of the package marking



Disclaimer

ALL PRODUCT, PRODUCT SPECIFICATIONS AND DATA ARE SUBJECT TO CHANGE WITHOUT NOTICE TO IMPROVE RELIABILITY, FUNCTION OR DESIGN OR OTHERWISE.

Vishay Intertechnology, Inc., its affiliates, agents, and employees, and all persons acting on its or their behalf (collectively, "Vishay"), disclaim any and all liability for any errors, inaccuracies or incompleteness contained in any datasheet or in any other disclosure relating to any product.

Vishay makes no warranty, representation or guarantee regarding the suitability of the products for any particular purpose or the continuing production of any product. To the maximum extent permitted by applicable law, Vishay disclaims (i) any and all liability arising out of the application or use of any product, (ii) any and all liability, including without limitation special, consequential or incidental damages, and (iii) any and all implied warranties, including warranties of fitness for particular purpose, non-infringement and merchantability.

Statements regarding the suitability of products for certain types of applications are based on Vishay's knowledge of typical requirements that are often placed on Vishay products in generic applications. Such statements are not binding statements about the suitability of products for a particular application. It is the customer's responsibility to validate that a particular product with the properties described in the product specification is suitable for use in a particular application. Parameters provided in datasheets and/or specifications may vary in different applications and performance may vary over time. All operating parameters, including typical parameters, must be validated for each customer application by the customer's technical experts. Product specifications do not expand or otherwise modify Vishay's terms and conditions of purchase, including but not limited to the warranty expressed therein.

Except as expressly indicated in writing, Vishay products are not designed for use in medical, life-saving, or life-sustaining applications or for any other application in which the failure of the Vishay product could result in personal injury or death. Customers using or selling Vishay products not expressly indicated for use in such applications do so at their own risk. Please contact authorized Vishay personnel to obtain written terms and conditions regarding products designed for such applications.

No license, express or implied, by estoppel or otherwise, to any intellectual property rights is granted by this document or by any conduct of Vishay. Product names and markings noted herein may be trademarks of their respective owners.

Material Category Policy

Vishay Intertechnology, Inc. hereby certifies that all its products that are identified as RoHS-Compliant fulfill the definitions and restrictions defined under Directive 2011/65/EU of The European Parliament and of the Council of June 8, 2011 on the restriction of the use of certain hazardous substances in electrical and electronic equipment (EEE) - recast, unless otherwise specified as non-compliant.

Please note that some Vishay documentation may still make reference to RoHS Directive 2002/95/EC. We confirm that all the products identified as being compliant to Directive 2002/95/EC conform to Directive 2011/65/EU.

Vishay Intertechnology, Inc. hereby certifies that all its products that are identified as Halogen-Free follow Halogen-Free requirements as per JEDEC JS709A standards. Please note that some Vishay documentation may still make reference to the IEC 61249-2-21 definition. We confirm that all the products identified as being compliant to IEC 61249-2-21 conform to JEDEC JS709A standards.